

Meter Load Center Combination

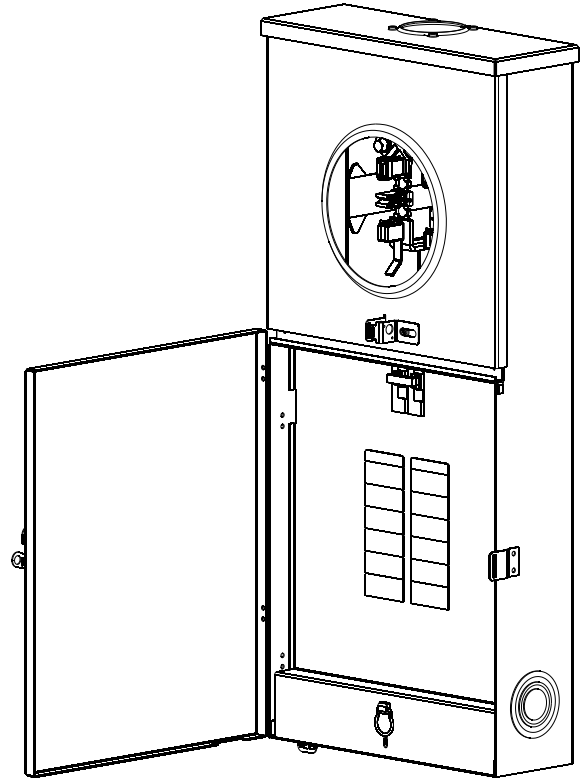
24 Circuit, Surface Mount, Pole Mountable

Features

- UL listed only for use as service entrance equipment
- NEMA Type 3R enclosure with painted, G90 galvanized steel
- 22,000A IC rating
- Overhead and underground feed
- Surface mounting, pole mountable
- Key hole shaped mounting holes for easy hanging
- Deadfront pull ring
- Captive deadfront screw
- INSTA-WIRE® neutrals
- Visible neutrals
- Tin plated aluminum bus bars
- Side-hinged load center door; requires the removal of only one screw to remove door.
- See wiring diagram for lug sizes and torque data

Accessories

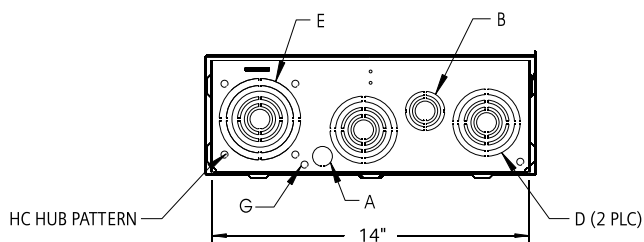
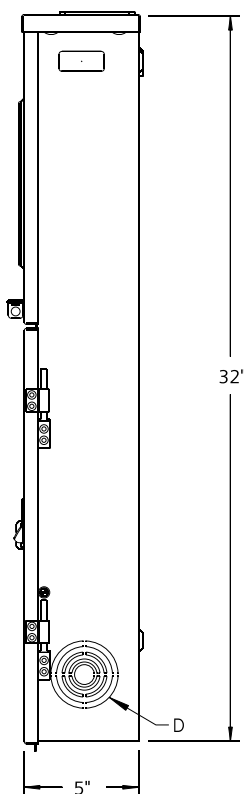
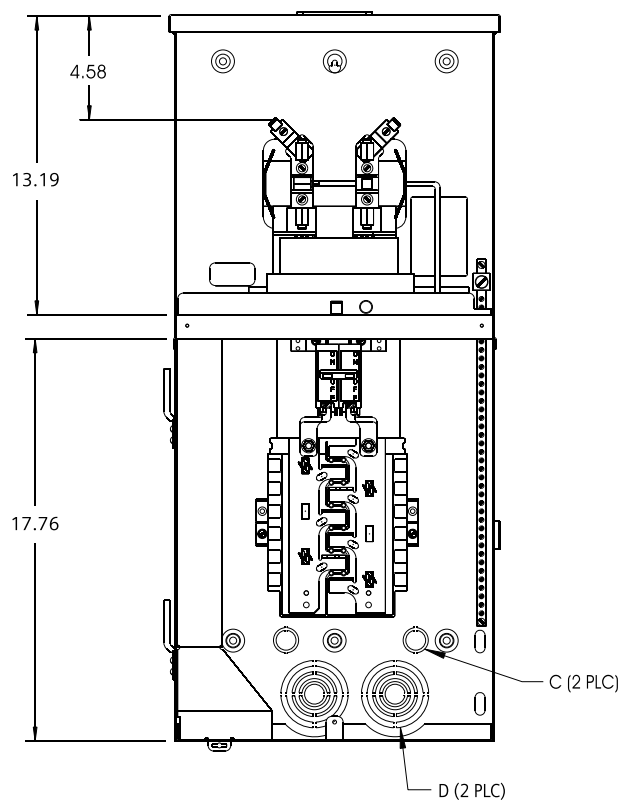
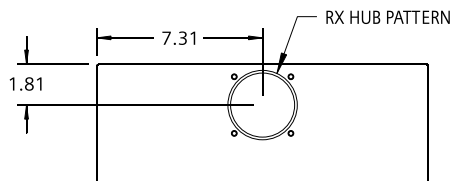
- Top end wall has type RX hub provisions
 - EC38597 (1-1/4")
 - EC38598 (1-1/2")
 - EC38599 (2")
 - EC385600 (2-1/2")
- Bottom end wall has type HC hub provisions
 - ECHC200 (2")
 - ECHC250 (2-1/2")
 - ECHC300 (3")
- Ground bar kits:
 - ECGB5, ECGB10(check wiring diagram for limitations)
- 2/0 - #4 wire range lug kit: ECLK1-2
- 5th jaw assembly: EC5J2 - factory installed
- Meter socket jumper: ECJS
- Filler plate: QF3 or ECQF3



Main Ampere Rating	Catalog Number	No. of Spaces	No. of Circuits	Meter Cover	Factory Installed 5th Jaw	Factory Installed Horn Bypass
125	MC1224B1125R	12	24	Ringless	X	X

Data Sheet

Dimensional Drawing MC1224B1125R



KNOCKOUT CODE
A = 1/2"
B = 1/2", 3/4", 1", 1-1/4"
C = 3/4", 1"
D = 1/2", 3/4", 1", 1-1/4", 1-1/2", 2", 2-1/2"
E = 2-1/2", 3"
G = .31" DIAMETER GROUND WIRE K.O.

Siemens Energy & Automation, Inc.
3333 Old Milton Parkway
Alpharetta, GA 30005

1-800-964-4114
info.sea@siemens.com

©2009 Siemens Energy & Automation, Inc. All Rights Reserved. Siemens is a registered trademark of Siemens AG. Product names mentioned may be trademarks or registered trademarks of their respective companies. Specifications are subject to change without notice.

RPFL-200A1-0109 (New)

www.sea.siemens.com/residential