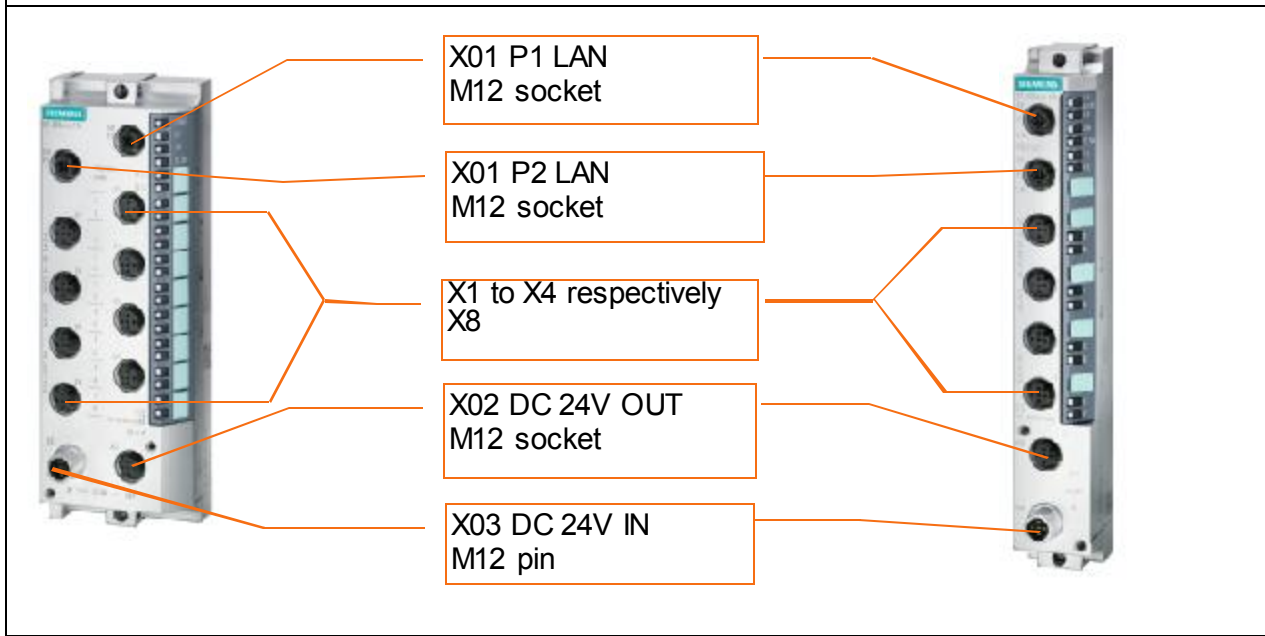


**ET 200eco PN**

Elektronic modules digital	Article number
8 DI DC 24V; 4 X M12	6ES7141-6BF00-0AB0
8 DI DC 24V; 8 X M12	6ES7141-6BG00-0AB0
16 DI DC 24V; 8 X M12	6ES7141-6BH00-0AB0
8 DO DC 24V/0,5A; 4 X M12	6ES7142-6BF50-0AB0
8 DO DC 24V/1,3A; 4 X M12	6ES7142-6BF00-0AB0
8 DO DC 24V/1,3A; 8 X M12	6ES7142-6BG00-0AB0
8 DO DC 24V/2A; 8 X M12	6ES7142-6BR00-0AB0
16 DO DC 24V/1,3A; 8 X M12	6ES7142-6BH00-0AB0
8 DIO DC 24V/1,3A; 8 X M12	6ES7147-6BG00-0AB0
IO-Link Master, 4IO-L + 8DI + 4DO DC 24V/1,3A; 8 X M12	6ES7148-6JA00-0AB0
IO-Link Master, 4IO-L; 4 X M12	6ES7148-6JD00-0AB0



Interfaces	Article number
<b>X1 P1 LAN (M12 socket)</b>	
<b>non-assembled connectors</b>	
PROFINET M12 connector, d-coded with FastConnect system, 180°	
- 1 per pack	6GK1901-0DB10-6AA0
- 8 per pack	6GK1901-0DB10-6AA8
PROFINET M12 connector, d-coded with FastConnect system, 180°	
- 1 per pack	6GK1901-0DB20-6AA0
- 8 per pack	6GK1901-0DB20-6AA8
PROFINET M12 connector, d-coded, angled	3RK1902-2DA00
<b>non-assembled cables</b>	
PROFINET FC cable	
- FC TP Standard Cable	6XV1840-2AH10
- FC TP Trailing Cable	6XV1840-3AH10

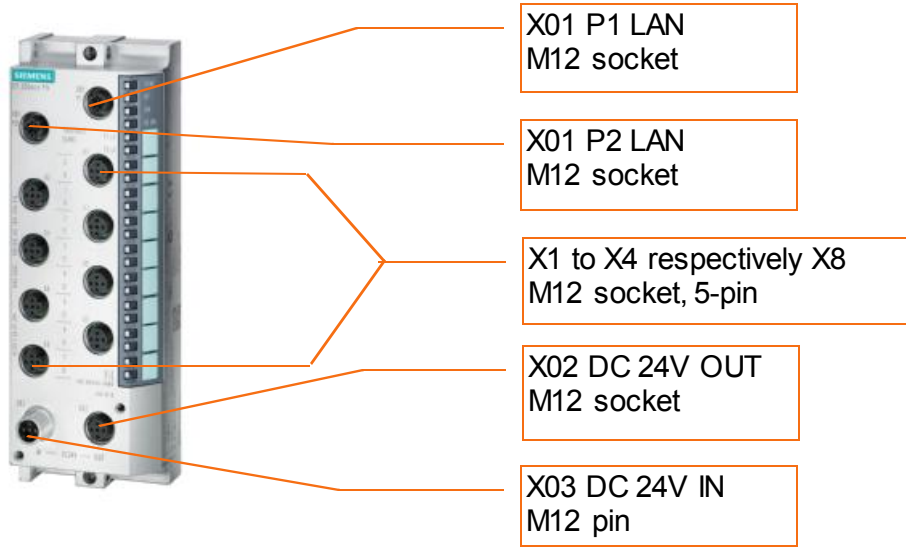
- FC TP Trailing Cable GP		6XV1870-2D
- FC TP Marine Cable		6XV1840-4AH10
- FC TP Torsion Cable		6XV1870-2F
- FC TP Flexible Cable GP		6XV1870-2B
- FC TP FRNC Cable		6XV1871-2F
- FC TP Food Cable		6XV1871-2L
- FC TP Festoon Cable GP		6XV1871-2S
<b>pre-assembled cables</b>		
PROFINET M12 trailable connecting cable, pre-assembled at both ends with M12 connectors 180° (pin)	0,3 m	6XV1870-8AE30
	0,5 m	6XV1870-8AE50
	1,0 m	6XV1870-8AH10
	1,5 m	6XV1870-8AH15
	2,0 m	6XV1870-8AH20
	3,0 m	6XV1870-8AH30
	5,0 m	6XV1870-8AH50
	10,0 m	6XV1870-8AN10
PROFINET M12 trailable connecting cable, pre-assembled at both ends with M12 connectors, angled (pin)	0,3 m	6XV1870-8GE30
	0,5 m	6XV1870-8GE50
	1,0 m	6XV1870-8GH10
	1,5 m	6XV1870-8GH15
	2,0 m	6XV1870-8GH20
	3,0 m	6XV1870-8GH30
	5,0 m	6XV1870-8GH50
	10,0 m	6XV1870-8GN10
IE FC Robust food cable GP 2x2, with 2 M12 connectors (d-coded)	1,0 m	6XV1881-5AH10
	2,0 m	6XV1881-5AH20
	3,0 m	6XV1881-5AH30
	5,0 m	6XV1881-5AH50
PROFINET M12 trailable connecting cable, pre-assembled at one end with M12 connector, angled (pin), other end open cable	3,0 m	3RK1902-2HB30
	5,0 m	3RK1902-2HB50
	10,0 m	3RK1902-2HC10
PROFINET M12 trailable connecting cable, pre-assembled at one end with M12 connector 180° (pin), other end with RJ45 Plug 145°	2,0 m	6XV1871-5TH20
	3,0 m	6XV1871-5TH30
	5,0 m	6XV1871-5TH50
	10,0 m	6XV1871-5TN10
	15,0 m	6XV1871-5TN15
<b>Miscellaneous</b>		
M12 cover caps		3RX9802-0AA00
M12 cover caps		3RK1901-1KA00
<b>X01 P2 LAN (M12 socket)</b>		
<b>non-assembled connectors</b>		
PROFINET M12 connector, d-coded with FastConnect system, 180°		
- 1 per pack		6GK1901-0DB10-6AA0
- 8 per pack		6GK1901-0DB10-6AA8
PROFINET M12 connector, d-coded with FastConnect system, 180°		
- 1 per pack		6GK1901-0DB20-6AA0
- 8 per pack		6GK1901-0DB20-6AA8
PROFINET M12 connector, d-coded, angled		3RK1902-2DA00

<b>non-assembled cables</b>		
PROFINET FC cable		
- FC TP Standard Cable		6XV1840-2AH10
- FC TP Trailing Cable		6XV1840-3AH10
- FC TP Trailing Cable GP		6XV1870-2D
- FC TP Marine Cable		6XV1840-4AH10
- FC TP Torsion Cable		6XV1870-2F
- FC TP Flexible Cable GP		6XV1870-2B
- FC TP FRNC Cable		6XV1871-2F
- FC TP Food Cable		6XV1871-2L
- FC TP Festoon Cable GP		6XV1871-2S
<b>pre-assembled cables</b>		
PROFINET M12 trailable connecting cable, pre-assembled at both ends with M12 connectors 180° (pin)	0,3 m	6XV1870-8AE30
	0,5 m	6XV1870-8AE50
	1,0 m	6XV1870-8AH10
	1,5 m	6XV1870-8AH15
	2,0 m	6XV1870-8AH20
	3,0 m	6XV1870-8AH30
	5,0 m	6XV1870-8AH50
	10,0 m	6XV1870-8AN10
	15,0 m	6XV1870-8AN15
PROFINET M12 trailable connecting cable, pre-assembled at both ends with M12 connectors, angled (pin)	0,3 m	6XV1870-8GE30
	0,5 m	6XV1870-8GE50
	1,0 m	6XV1870-8GH10
	1,5 m	6XV1870-8GH15
	2,0 m	6XV1870-8GH20
	3,0 m	6XV1870-8GH30
	5,0 m	6XV1870-8GH50
	10,0 m	6XV1870-8GN10
	15,0 m	6XV1870-8GN15
IE FC Robust food cable GP 2x2, with 2 M12 connectors (d-coded)	1,0 m	6XV1881-5AH10
	2,0 m	6XV1881-5AH20
	3,0 m	6XV1881-5AH30
	5,0 m	6XV1881-5AH50
PROFINET M12 trailable connecting cable, pre-assembled at one end with M12 connector, angled (pin), other end open cable	3,0 m	3RK1902-2HB30
	5,0 m	3RK1902-2HB50
	10,0 m	3RK1902-2HC10
PROFINET M12 trailable connecting cable, pre-assembled at one end with M12 connector 180° (pin), other end with RJ45 Plug 145°	2,0 m	6XV1871-5TH20
	3,0 m	6XV1871-5TH30
	5,0 m	6XV1871-5TH50
	10,0 m	6XV1871-5TN10
	15,0 m	6XV1871-5TN15
<b>Miscellaneous</b>		
M12 cover caps		3RX9802-0AA00
M12 cover caps		3RK1901-1KA00

<b>X1 to X4 respectively X8 (M12 socket, 5-pin)</b>		
<b>non-assembled connectors</b>		
M12 connector, 5-pin, max. 0,75mm <sup>2</sup> , screw terminals		3RK1902-4BA00-5AA0
M12 connector, 5-pin, angled, max. 0,75mm <sup>2</sup> , screw terminals		3RK1902-4DA00-5AA0
<b>pre-assembled cables</b>		
M12 connecting cable (PUR sheath), pre-assembled at both ends with socket and plug connector, 3 x 0,34 mm <sup>2</sup>	1,5 m	3RK1902-4PB15-3AA0
	5 m	6GT2891-4MH50
	10 m	6GT2891-4MN10
M12 connecting cable (PUR sheath), 5 x 0,34 mm <sup>2</sup> , pre-assembled at one end with socket (one end socket, one end open cable)	1,5 m	3RK1902-4HB15-5AA0
	5 m	3RK1902-4HB50-5AA0
	10 m	3RK1902-4HC01-5AA0
<b>Miscellaneous</b>		
M12 cover caps		3RX9802-0AA00
M12 cover caps		3RK1901-1KA00
Y cable for dual connection of I/O		6ES7194-6KA00-0XA0
<b>X02 DC 24V OUT (M12 socket)</b>		
<b>non-assembled connectors</b>		
Terminal block, 10A cutter clamps		6ES7194-6CA00-0AA0
Power M12 connector, 4-pin, a-coded, with pin insert		6GK1907-0DB10-6AA3
Power M12 connector angled, 5-pin, a-coded, with pin insert		3RK1902-4DA00-5AA0
<b>pre-assembled cables</b>		
M12 connecting cable for supplying trailable energy cable, 5-pin, both ends with M12 connectors 180° (one end socket, one end pin)	0,3 m	6XV1801-5DE30
	0,5 m	6XV1801-5DE50
	1,0 m	6XV1801-5DH10
	1,5 m	6XV1801-5DH15
	2,0 m	6XV1801-5DH20
	3,0 m	6XV1801-5DH30
	5,0 m	6XV1801-5DH50
	10,0 m	6XV1801-5DN10
	15,0 m	6XV1801-5DN15
Power Connecting Cable M12-90/M12-90 für power supply of ET 200, pre-assembled cable with M12 connector (pin) and M12 connector (socket), a-coded, 4-wire	0,3 m	6XV1801-5GE30
	0,5 m	6XV1801-5GE50
	1,0 m	6XV1801-5GH10
	1,5 m	6XV1801-5GH15
	2,0 m	6XV1801-5GH20
	3,0 m	6XV1801-5GH30
	5,0 m	6XV1801-5GH50
	10,0 m	6XV1801-5GN10
Robus power connecting cable M12-180/M12-180, IP69, to power supply of ET 200, pre-assembled cable with M12 connector, a-coded, 4-pole	1,0 m	6XV1801-5AH10
	2,0 m	6XV1801-5AH20
	3,0 m	6XV1801-5AH30
	5,0 m	6XV1801-5AH50

<b>Miscellaneous</b>		
M12 cover caps		3RX9802-0AA00
M12 cover caps		3RK1901-1KA00
<b>X03 DC 24V IN (M12 pin)</b>		
<b>non-assembled connectors</b>		
Terminal block, 10A cutter clamps		6ES7194-6CA00-0AA0
Power M12 connector, 4-pin, a-coded, with socket insert		6GK1907-0DC10-6AA3
Power M12 connector angled, 4-pin, a-coded, with socket insert		3RK1902-4CA00-4AA0
<b>pre-assembled cables</b>		
M12 connecting cable for supplying trailable energy cable, 5-pin, both ends with M12 connectors 180° (one end socket, one end pin)	0,3 m	6XV1801-5DE30
	0,5 m	6XV1801-5DE50
	1,0 m	6XV1801-5DH10
	1,5 m	6XV1801-5DH15
	2,0 m	6XV1801-5DH20
	3,0 m	6XV1801-5DH30
	5,0 m	6XV1801-5DH50
	10,0 m	6XV1801-5DN10
Power Connecting Cable M12-90/M12-90 für power supply of ET 200, pre-assembled cable with M12 connector (pin) and M12 connector (socket), a-coded, 4-wire	0,3 m	6XV1801-5GE30
	0,5 m	6XV1801-5GE50
	1,0 m	6XV1801-5GH10
	1,5 m	6XV1801-5GH15
	2,0 m	6XV1801-5GH20
	3,0 m	6XV1801-5GH30
	5,0 m	6XV1801-5GH50
	10,0 m	6XV1801-5GN10
Robus power connecting cable M12-180/M12-180, IP69, to power supply of ET 200, pre-assembled cable with M12 connector, a-coded, 4-pole	1,0 m	6XV1801-5AH10
	2,0 m	6XV1801-5AH20
	3,0 m	6XV1801-5AH30
	5,0 m	6XV1801-5AH50

Elektronic module analog	Article number
8 AI 4 U/I + 4 RTD/TC; 8 x M12	6ES7144-6KD00-0AB0
8 AI RTD/TC; 8 x M12	6ES7144-6KD50-0AB0
8 AO U/I; 4 x M12	6ES7145-6HD00-0AB0



Interfaces	Article number
<b>X1 P1 LAN (M12 socket)</b>	
<b>non-assembled connectors</b>	
PROFINET M12 connector, d-coded with FastConnect system, 180°	
- 1 per pack	6GK1901-0DB10-6AA0
- 8 per pack	6GK1901-0DB10-6AA8
PROFINET M12 connector, d-coded with FastConnect system, 180°	
- 1 per pack	6GK1901-0DB20-6AA0
- 8 per pack	6GK1901-0DB20-6AA8
PROFINET M12 connector, d-coded, angled	3RK1902-2DA00
<b>non-assembled cables</b>	
PROFINET FC cable	
- FC TP Standard Cable	6XV1840-2AH10
- FC TP Trailing Cable	6XV1840-3AH10

This entry is from the Service&Support portal of Siemens AG, Siemens Industry Online Support.

The general terms of use

- FC TP Trailing Cable GP		6XV1870-2D
- FC TP Marine Cable		6XV1840-4AH10
- FC TP Torsion Cable		6XV1870-2F
- FC TP Flexible Cable GP		6XV1870-2B
- FC TP FRNC Cable		6XV1871-2F
- FC TP Food Cable		6XV1871-2L
- FC TP Festoon Cable GP		6XV1871-2S
<b>pre-assembled cables</b>		
PROFINET M12 trailable connecting cable, pre-assembled at both ends with M12 connectors 180° (pin)	0,3 m	6XV1870-8AE30
	0,5 m	6XV1870-8AE50
	1,0 m	6XV1870-8AH10
	1,5 m	6XV1870-8AH15
	2,0 m	6XV1870-8AH20
	3,0 m	6XV1870-8AH30
	5,0 m	6XV1870-8AH50
	10,0 m	6XV1870-8AN10
PROFINET M12 trailable connecting cable, pre-assembled at both ends with M12 connectors, angled (pin)	0,3 m	6XV1870-8GE30
	0,5 m	6XV1870-8GE50
	1,0 m	6XV1870-8GH10
	1,5 m	6XV1870-8GH15
	2,0 m	6XV1870-8GH20
	3,0 m	6XV1870-8GH30
	5,0 m	6XV1870-8GH50
	10,0 m	6XV1870-8GN10
IE FC Robust food cable GP 2x2, with 2 M12 connectors (d-coded)	1,0 m	6XV1881-5AH10
	2,0 m	6XV1881-5AH20
	3,0 m	6XV1881-5AH30
	5,0 m	6XV1881-5AH50
PROFINET M12 trailable connecting cable, pre-assembled at one end with M12 connector, angled (pin), other end open cable	3,0 m	3RK1902-2HB30
	5,0 m	3RK1902-2HB50
	10,0 m	3RK1902-2HC10
PROFINET M12 trailable connecting cable, pre-assembled at one end with M12 connector 180° (pin), other end with RJ45 Plug 145°	2,0 m	6XV1871-5TH20
	3,0 m	6XV1871-5TH30
	5,0 m	6XV1871-5TH50
	10,0 m	6XV1871-5TN10
	15,0 m	6XV1871-5TN15
<b>Miscellaneous</b>		
M12 cover caps		3RX9802-0AA00
M12 cover caps		3RK1901-1KA00
<b>X01 P2 LAN (M12 socket)</b>		
<b>non-assembled connectors</b>		
PROFINET M12 connector, d-coded with FastConnect system, 180°		
- 1 per pack		6GK1901-0DB10-6AA0
- 8 per pack		6GK1901-0DB10-6AA8
PROFINET M12 connector, d-coded with FastConnect system, 180°		
- 1 per pack		6GK1901-0DB20-6AA0
- 8 per pack		6GK1901-0DB20-6AA8
PROFINET M12 connector, d-coded, angled		3RK1902-2DA00

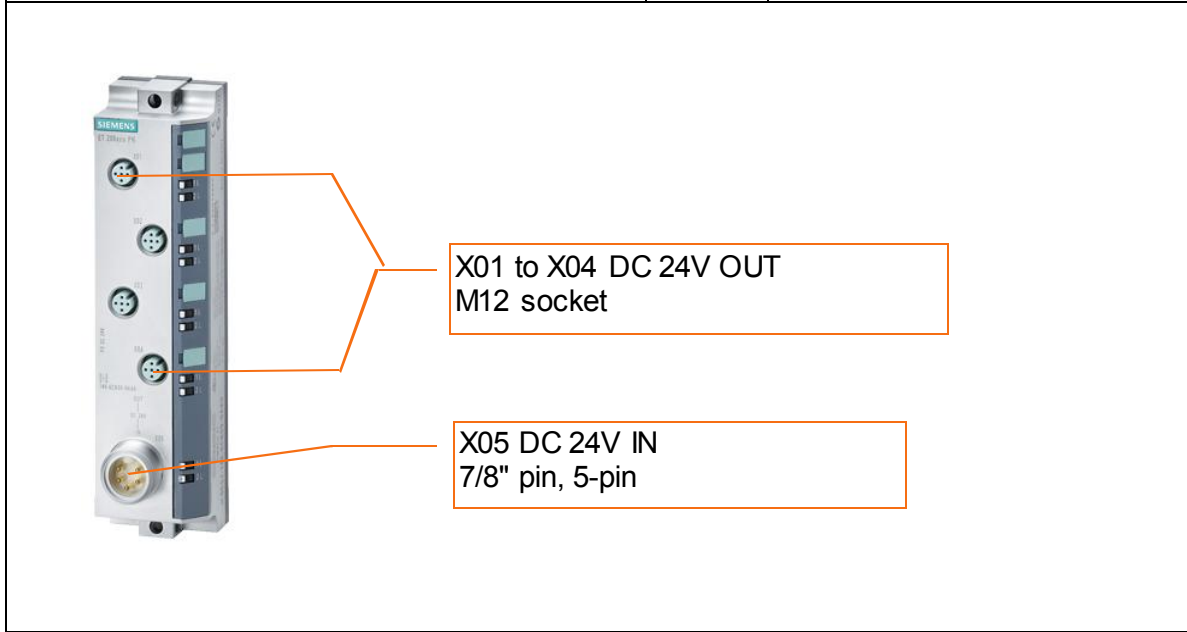
<b>non-assembled cables</b>		
PROFINET FC cable		
- FC TP Standard Cable		6XV1840-2AH10
- FC TP Trailing Cable		6XV1840-3AH10
- FC TP Trailing Cable GP		6XV1870-2D
- FC TP Marine Cable		6XV1840-4AH10
- FC TP Torsion Cable		6XV1870-2F
- FC TP Flexible Cable GP		6XV1870-2B
- FC TP FRNC Cable		6XV1871-2F
- FC TP Food Cable		6XV1871-2L
- FC TP Festoon Cable GP		6XV1871-2S
<b>pre-assembled cables</b>		
PROFINET M12 trailable connecting cable, pre-assembled at both ends with M12 connectors 180° (pin)	0,3 m	6XV1870-8AE30
	0,5 m	6XV1870-8AE50
	1,0 m	6XV1870-8AH10
	1,5 m	6XV1870-8AH15
	2,0 m	6XV1870-8AH20
	3,0 m	6XV1870-8AH30
	5,0 m	6XV1870-8AH50
	10,0 m	6XV1870-8AN10
PROFINET M12 trailable connecting cable, pre-assembled at both ends with M12 connectors, angled (pin)	0,3 m	6XV1870-8GE30
	0,5 m	6XV1870-8GE50
	1,0 m	6XV1870-8GH10
	1,5 m	6XV1870-8GH15
	2,0 m	6XV1870-8GH20
	3,0 m	6XV1870-8GH30
	5,0 m	6XV1870-8GH50
	10,0 m	6XV1870-8GN10
IE FC Robust food cable GP 2x2, with 2 M12 connectors (d-coded)	1,0 m	6XV1881-5AH10
	2,0 m	6XV1881-5AH20
	3,0 m	6XV1881-5AH30
	5,0 m	6XV1881-5AH50
PROFINET M12 trailable connecting cable, pre-assembled at one end with M12 connector, angled (pin), other end open cable	3,0 m	3RK1902-2HB30
	5,0 m	3RK1902-2HB50
	10,0 m	3RK1902-2HC10
PROFINET M12 trailable connecting cable, pre-assembled at one end with M12 connector 180° (pin), other end with RJ45 Plug 145°	2,0 m	6XV1871-5TH20
	3,0 m	6XV1871-5TH30
	5,0 m	6XV1871-5TH50
	10,0 m	6XV1871-5TN10
	15,0 m	6XV1871-5TN15
<b>Miscellaneous</b>		
M12 cover caps		3RX9802-0AA00
M12 cover caps		3RK1901-1KA00



<b>X1 to X4 respectively X8 (M12 socket, 5-pin)</b>		
<b>pre-assembled cables</b>		
M12 connecting cable, shielded		(on request)
<b>Miscellaneous</b>		
M12 cover caps		3RX9802-0AA00
M12 cover caps		3RK1901-1KA00
<b>X02 DC 24V OUT (M12 socket)</b>		
<b>non-assembled connectors</b>		
Terminal block, 10A cutter clamps		6ES7194-6CA00-0AA0
Power M12 connector, 4-pin, a-coded, with pin insert		6GK1907-0DB10-6AA3
Power M12 connector angled, 5-pin, a-coded, with pin insert		3RK1902-4DA00-5AA0
<b>pre-assembled cables</b>		
M12 connecting cable for supplying trailable energy cable, 5-pin, at both ends with M12 connectors 180° (one end socket, one end pin)	0,3 m	6XV1801-5DE30
	0,5 m	6XV1801-5DE50
	1,0 m	6XV1801-5DH10
	1,5 m	6XV1801-5DH15
	2,0 m	6XV1801-5DH20
	3,0 m	6XV1801-5DH30
	5,0 m	6XV1801-5DH50
	10,0 m	6XV1801-5DN10
	15,0 m	6XV1801-5DN15
Power Connecting Cable M12-90/M12-90 für power supply of ET 200, pre-assembled cable with M12 connector (pin) and M12 connector (socket), a-coded, 4-wire	0,3 m	6XV1801-5GE30
	0,5 m	6XV1801-5GE50
	1,0 m	6XV1801-5GH10
	1,5 m	6XV1801-5GH15
	2,0 m	6XV1801-5GH20
	3,0 m	6XV1801-5GH30
	5,0 m	6XV1801-5GH50
	10,0 m	6XV1801-5GN10
15,0 m	6XV1801-5GN15	
Robus power connecting cable M12-180/M12-180, IP69, to power supply of ET 200, pre-assembled cable with M12 connector, a-coded, 4-pole	1,0 m	6XV1801-5AH10
	2,0 m	6XV1801-5AH20
	3,0 m	6XV1801-5AH30
	5,0 m	6XV1801-5AH50
<b>Miscellaneous</b>		
M12 cover caps		3RX9802-0AA00
M12 cover caps		3RK1901-1KA00
<b>X03 DC 24V IN (M12 pin)</b>		
<b>non-assembled connectors</b>		
Terminal block, 10A cutter clamps		6ES7194-6CA00-0AA0
Power M12 connector, 4-pin, a-coded, with socket insert		6GK1907-0DC10-6AA3
Power M12 connector angled, 4-pin, a-coded, with socket insert		3RK1902-4CA00-4AA0
<b>pre-assembled cables</b>		

M12 connecting cable for supplying trailable energy cable, 5-pin, at both ends with M12 connectors 180° (one end socket, one end pin)	0,3 m	6XV1801-5DE30
	0,5 m	6XV1801-5DE50
	1,0 m	6XV1801-5DH10
	1,5 m	6XV1801-5DH15
	2,0 m	6XV1801-5DH20
	3,0 m	6XV1801-5DH30
	5,0 m	6XV1801-5DH50
	10,0 m	6XV1801-5DN10
	15,0 m	6XV1801-5DN15
Power Connecting Cable M12-90/M12-90 für power supply of ET 200, pre-assembled cable with M12 connector (pin) and M12 connector (socket), a-coded, 4-wire	0,3 m	6XV1801-5GE30
	0,5 m	6XV1801-5GE50
	1,0 m	6XV1801-5GH10
	1,5 m	6XV1801-5GH15
	2,0 m	6XV1801-5GH20
	3,0 m	6XV1801-5GH30
	5,0 m	6XV1801-5GH50
	10,0 m	6XV1801-5GN10
	15,0 m	6XV1801-5GN15
Robus power connecting cable M12-180/M12-180, IP69, to power supply of ET 200, pre-assembled cable with M12 connector, a-coded, 4-pole	1,0 m	6XV1801-5AH10
	2,0 m	6XV1801-5AH20
	3,0 m	6XV1801-5AH30
	5,0 m	6XV1801-5AH50

Miscellaneous	Article number
PD DC 24V; 1 x 7/8"	6ES7148-6CB00-0AA0



Interfaces	Article number	
<b>X01 to X04 DC 24V OUT (M12 socket)</b>		
<b>non-assembled connectors</b>		
Power M12 connector, 4-pin, a-coded, with pin insert	6GK1907-0DB10-6AA3	
<b>pre-assembled cables</b>		
M12 connecting cable for supplying trailable energy cable, 5-pin, at both end with M12 connectors 180° (one end socket, one end pin)	0,3 m	6XV1801-5DE30
	0,5 m	6XV1801-5DE50
	1,0 m	6XV1801-5DH10
	1,5 m	6XV1801-5DH15
	2,0 m	6XV1801-5DH20
	3,0 m	6XV1801-5DH30
	5,0 m	6XV1801-5DH50
	10,0 m	6XV1801-5DN10
	15,0 m	6XV1801-5DN15

This entry is from the Service&Support portal of Siemens AG, Siemens Industry Online Support.

The general terms of use

Power Connecting Cable M12-90/M12-90 für power supply of ET 200, pre-assembled cable with M12 connector (pin) and M12 connector (socket), a-coded, 4-wire	0,3 m	6XV1801-5GE30
	0,5 m	6XV1801-5GE50
	1,0 m	6XV1801-5GH10
	1,5 m	6XV1801-5GH15
	2,0 m	6XV1801-5GH20
	3,0 m	6XV1801-5GH30
	5,0 m	6XV1801-5GH50
	10,0 m	6XV1801-5GN10
	15,0 m	6XV1801-5GN15
Robus power connecting cable M12-180/M12-180, IP69, to power supply of ET 200, pre-assembled cable with M12 connector, a-coded, 4-pin	1,0 m	6XV1801-5AH10
	2,0 m	6XV1801-5AH20
	3,0 m	6XV1801-5AH30
	5,0 m	6XV1801-5AH50
<b>Miscellaneous</b>		
M12 cover caps		3RX9 802-0AA00
M12 cover caps		3RK1901-1KA00
<b>X05 DC 24V IN 7/8" (pin, 5-pin)</b>		
<b>non-assembled connectors</b>		
7/8" plug-in connector 180° with socket insert		6GK1905-0FB00
7/8" plug-in connector angled with socket insert		3RK1902-3DA00
<b>non-assembled cables</b>		
Energy Cable, trailable, 5 x 1,5 mm <sup>2</sup>		6XV1830-8AH10
<b>pre-assembled cables</b>		
7/8" connecting cable for supplying trailable energy cable, 5 x 1,5 mm <sup>2</sup> , at both ends with 7/8" connectors 180° (one end socket, one end pin)	0,3 m	6XV1822-5BE30
	0,5 m	6XV1822-5BE50
	1,0 m	6XV1822-5BH10
	1,5 m	6XV1822-5BH15
	2,0 m	6XV1822-5BH20
	3,0 m	6XV1822-5BH30
	5,0 m	6XV1822-5BH50
	10,0 m	6XV1822-5BN10
7/8" connecting cable for supplying trailable energy cable, 5 x 1,5 mm <sup>2</sup> , at both ends with 7/8" connectors angled (one end socket, one end pin)	15,0 m	6XV1822-5BN15
	1,5 m	6XV1822-5BH15-OSB0 <sup>1)</sup>
	2,0 m	6XV1822-5BH20-OSB0 <sup>1)</sup>
	3,0 m	3RK1902-3NB30
	5,0 m	3RK1902-3NB50
	10,0 m	3RK1902-3NC10
7/8" connecting cable for supplying trailable energy cable, 5 x 1,5 mm <sup>2</sup> , one end with 7/8" connector angled (one end socket, one end open cable)	15,0 m	6XV1822-5BN15-OSB0 <sup>1)</sup>
	3,0 m	3RK1902-3GB30
	5,0 m	3RK1902-3GB50
	10,0 m	3RK1902-3GC10

<sup>1)</sup> Ordering with ORG-ID: 10001539





