

ACTUATOR HEAD FOR POSITION SWITCH 3SE51/52 ROLLER PLUNGER, FORM C, WITH STAINLESS STEEL ROLLER 13 MM, TO EN 50041, WITH 3MM OVERTRAVEL



<b>Product designation</b>	actuator head for position switch
<b>Manufacturer's article number</b>	<a href="#">3SE5000-0AD02</a>
<ul style="list-style-type: none"> <li>of the supplied actuator head for position switches</li> </ul>	
<b>General technical data:</b>	
<b>Product function</b>	Yes
<ul style="list-style-type: none"> <li>positive opening</li> </ul>	
<b>Shock resistance</b>	30 g / 11 ms
<ul style="list-style-type: none"> <li>acc. to IEC 60068-2-27</li> </ul>	
<b>Vibration resistance</b>	0.35 mm/5g
<ul style="list-style-type: none"> <li>acc. to IEC 60068-2-6</li> </ul>	
<b>Mechanical service life (switching cycles)</b>	15 000 000
<ul style="list-style-type: none"> <li>typical</li> </ul>	
<b>Equipment marking</b>	T
<ul style="list-style-type: none"> <li>acc. to DIN EN 61346-2</li> <li>acc. to DIN EN 81346-2</li> </ul>	
<b>Active principle</b>	mechanical
<b>Minimum actuating force in activation direction</b>	20 N

#### Enclosure:

Coating of the enclosure Other types

#### Drive Head:

Standard-compliant actuator head EN 50041, design C  
Shape of the switch head roller  
Outer diameter of the switch head 13 mm

#### Communication/ Protocol:

Design of the interface without

#### Ambient conditions:

Ambient temperature  
• during operation -25 ... +85 °C  
• during storage -40 ... +90 °C

#### Installation/ mounting/ dimensions:

Mounting position any  
Mounting type lockable plug-in fixing

#### Certificates/approvals

General Product Approval	Declaration of Conformity	Test Certificates	other		
 CSA	 UL		 EG-Konf.	<a href="#">spezielle Prüfbescheinigung</a> <a href="#">n</a>	<a href="#">Bestätigungen</a>

#### other

[Schwingen / Schocken](#)

#### Further information

##### Information- and Downloadcenter (Catalogs, Brochures,...)

<http://www.siemens.com/industrial-controls/catalogs>

##### Industry Mall (Online ordering system)

<https://mall.industry.siemens.com/mall/en/en/Catalog/product?mlfb=3SE50000AD02>

##### Cax online generator

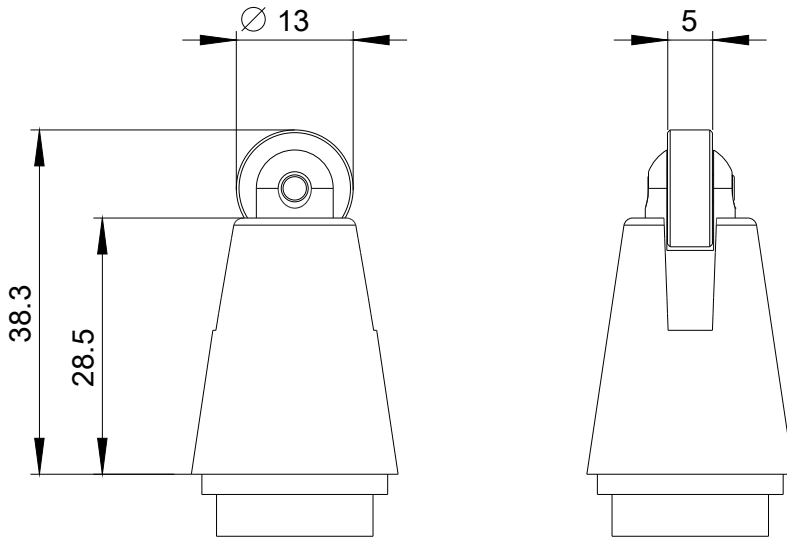
<http://support.automation.siemens.com/WW/CAXorder/default.aspx?lang=en&mlfb=3SE50000AD02>

##### Service&Support (Manuals, Certificates, Characteristics, FAQs,...)

<https://support.industry.siemens.com/cs/ww/en/ps/3SE50000AD02>

##### Image database (product images, 2D dimension drawings, 3D models, device circuit diagrams, EPLAN macros, ...)

[http://www.automation.siemens.com/bilddb/cax\\_de.aspx?mlfb=3SE50000AD02&lang=en](http://www.automation.siemens.com/bilddb/cax_de.aspx?mlfb=3SE50000AD02&lang=en)



last modified:

11.03.2016