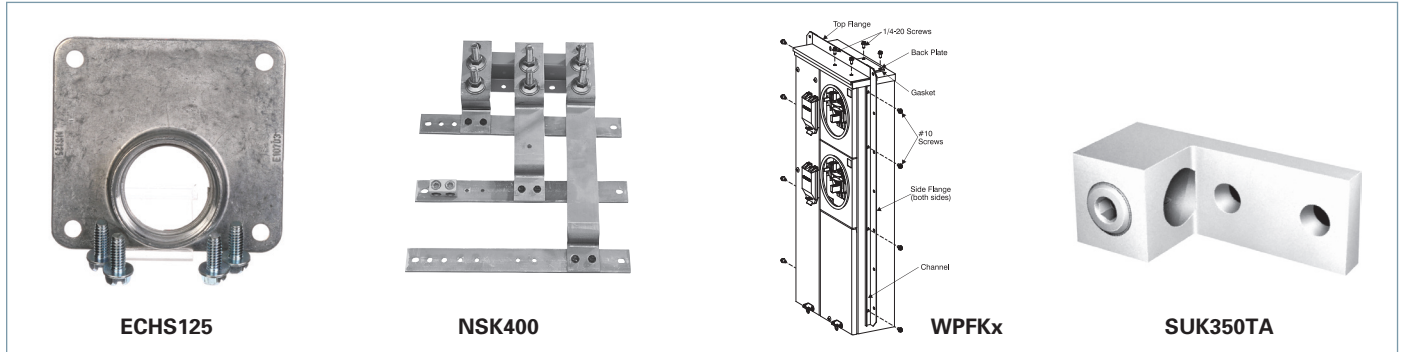


# Uni-PAK Metering

## Accessories

## Selection



### Uni-PAK Lug Kits

Catalog Number	Description
<b>Mechanical Lugs for NEMA Stud Kits</b>	
SUK350TA	(2) #6-350 kcmil
SUK600TA	(1) #2-600 kcmil
SUK1000TA	(2) 500-1000 kcmil

#### Uni-PAK NEMA Stud Kits (WEP ONLY)<sup>④</sup>

WPSK400	Fits 300 - 400A
WPSK600	Fits 500 - 600A
WPSK800	800A
WPSK1000	1000A

#### Uni-PAK Alternate Lug Kits (WP ONLY)

WPLK2400	400A Bus Lug Kit (2) #4-250
WPLK2600	600A Bus Lug Kit (3) #6-250

#### Lug Kits (WPL ONLY)<sup>⑤</sup>

H56476	3/0-800 kcmil
H60162	(2) 1/0-250 kcmil OR (1) #4-600 kcmil
H68752-1	(3) #6-250 kcmil
H56732	(2) #4-350 kcmil
H56732-M	(2) #4-500 kcmil

### Semi-flush Mounting Kits (WEP only)

Flange Kit Number	Designed for use with:
WPFK1	WEP2211, WTEG2211
WPFK2	WEP3311, WTEG2211
WPFK3	WEP4411, WTEG4411
WPFK4	WEP4511, WTEG4511, WEP4611, WTEG4611
WPFK5	WEP6511, WTEG6511, WEP6611, WTEG6611
WPFK6	WEP4212, WTEG4212
WPFK7	WEP4312, WTEG4312
WPFK8	WEP4412, WTEG4412
WPFK9	WEP6412, WTEG6412
WPFK10	WEP6512, WTEG6512, WEP6612, WTEG6612
WPFK11	WEP10612, WTEG10612
WPFK12	WEP5411, WTEG5411
WPFK13	WEP8612, WTEG8612

### Uni-PAK Accessories

Catalog Number	Description
<b>Type "HD" Conduit Hubs</b>	
EC56854	2" Conduit Hub <sup>①</sup>
EC56855	2½" Conduit Hub <sup>①</sup>
EC56856	3" Conduit Hub
EC56857	3½" Conduit Hub
EC56858	4" Conduit Hub
EC56933S	Closure Plate

#### Type "RX" Conduit Hubs

EC38594	¾" Conduit Hub
EC38596	1" Conduit Hub
EC38597	1¼" Conduit Hub
EC38598	1½" Conduit Hub
EC38599	2" Conduit Hub
EC38600	2½" Conduit Hub
EC38595	Closure Plate
EC9747-1113	Adapter plate for HD/RX <sup>③</sup>

#### Cover Plate

ECPP	Plastic Ring Style <sup>①</sup>
ECCP3	Plastic Ringless Style

#### Filler Plates

ECQF3	1" Filler Plate
ECCP3U <sup>①</sup>	4" to 2" Filler Plate

<sup>①</sup> Not for use on lever bypass units.

<sup>②</sup> Order NSK600 and PLK600 kits for use with 800 Amp PAK. CU Cable only approved with 800A device.

<sup>③</sup> Use Adapter plate with RX hubs for PAK units.

<sup>④</sup> These items made of Adapter plate and equivalent RX hub.

<sup>⑤</sup> Lug kits should be chosen based on the wire size being run to the unit. Wire should be sized according to the National Electrical Code. Lugs are sold separately. On 400-600A applications, a total of 3 lugs are required to wire the line side of the device. Lugs sold in packs of 2 pieces.