

Catalog Numbers, Features and Ratings

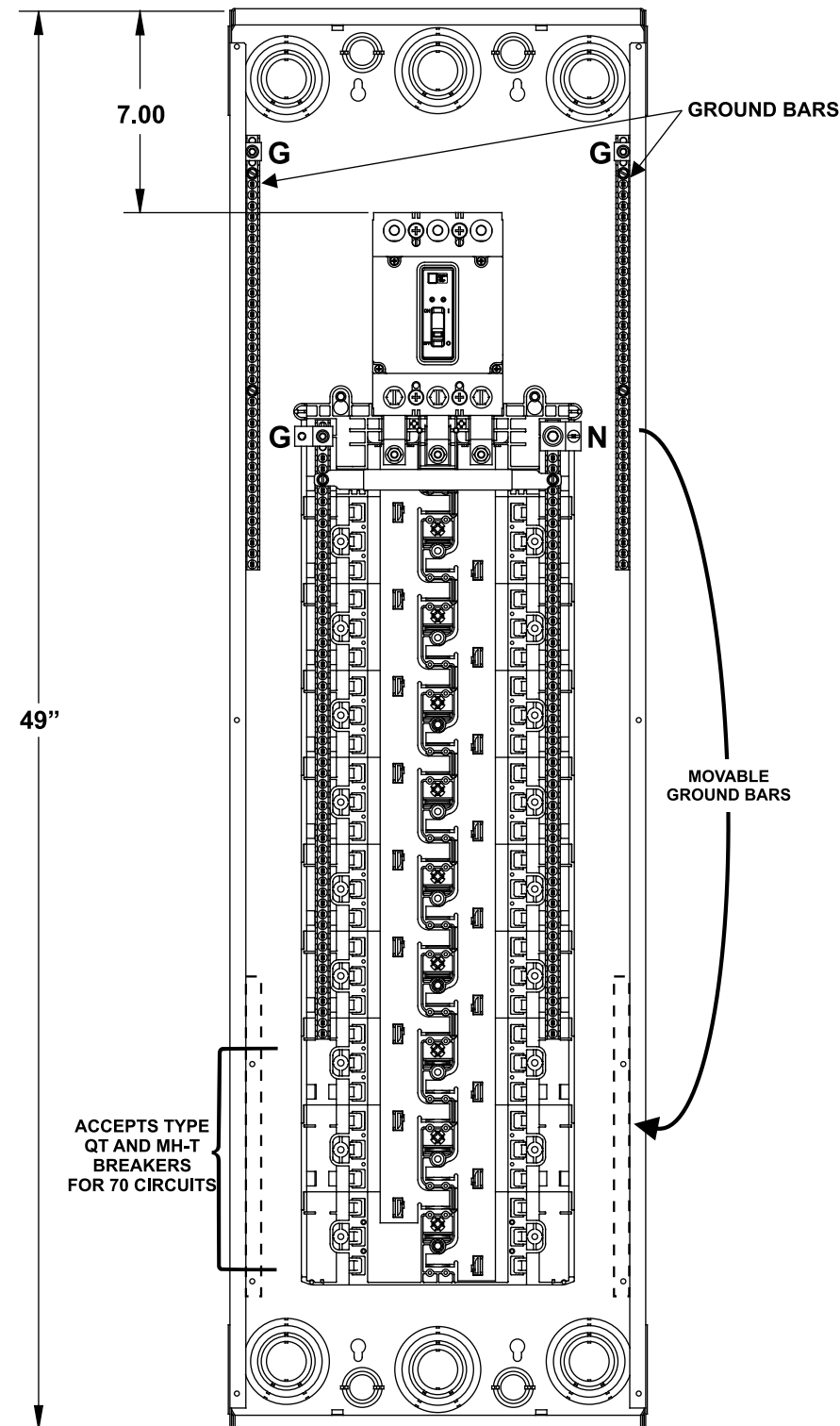
- 3 PHASE, 3 OR 4 WIRE, 240V ~ MAX.
- CONVERTIBLE TO MAIN LUG
- INVERTIBLE
- TYPE 1 INDOOR ENCLOSURE
- ANSI 61 GRAY POWDER COATED



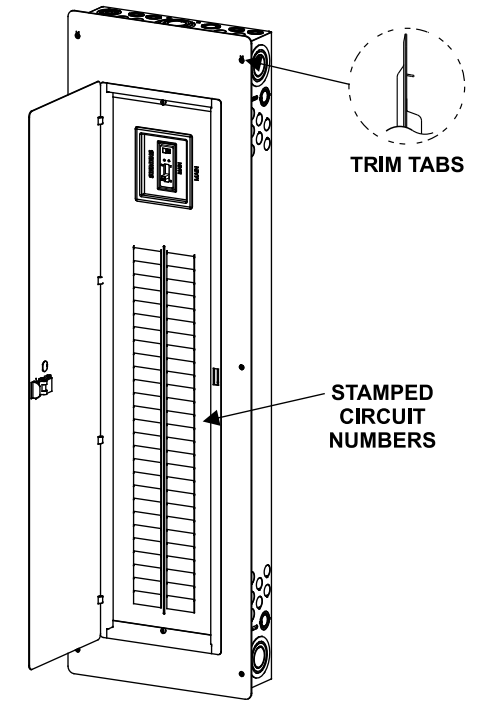
Catalog Number	ENCLOSURE DIMS			Amps Max	Max. AIC Rating	Number Spaces	Number Circuits	Bus Bar Material	Bus Bar Plating	Percent Neutrals
	L	W	D							
P5470B3225CU	49.00	14.25	3.88	225	22k AIC	54	70	Copper	Tin Plated	150%

P5470B3225CU

Shown With
Trims/Doors Removed



Trim/Door Detail



TERMINAL WIRE SIZES AND TORQUES

USE COPPER OR ALUMINUM 60°/75°C WIRE
SEE BREAKER MARKINGS FOR WIRE SIZE AND TORQUE REQUIREMENTS.

TERMINALS	WIRE	TORQUE
N	300 kcmil - 4 AWG	275 LB-INS
MAIN BREAKER	4/0 CU; 300kcmil AL	See Breaker
G	2/0 - 6 AWG	110 LB-INS
NEUTRAL/GROUND BARS (USE TYPE EC3GB GROUND BAR KIT ACCESSORY)	10-14 CU/10-12 AL 6 AWG 6-4 AWG	20 LB-INS 25 LB-INS 35 LB-INS
GROUND CONDUCTORS ONLY	(2)or(3) 14 AWG (2) 12-10 AWG	20 LB-INS 20 LB-INS
ECLK1-2 NEUTRAL LUG KIT	2/0 - 4 AWG	45 LB-INS
ECLK2 NEUTRAL LUG KIT	2/0 - 4 AWG	135 LB-INS
ECLK3 NEUTRAL LUG KIT	300 kcmil - 1 AWG	340 LB-INS
MAIN LUG/MAIN BRKR TO BUS CONNECTION (1/4-20 NUT)		45 LB-INS
BONDING SCREW		45 LB-INS

ACCESSORIES

DESCRIPTION	CAT. NO.
DOOR LOCK	ECQFL2
FILLER PLATE, 1"	ECQF3
MAIN BRKR FILLER PLATE	EC3PMFPR
BREAKER HOLD-DOWN	ECMBR2
BONDABLE GROUND LUG	ECLKB1
SUBFEED LUG KIT	ECLK2125 ECLK2225 ECLK3225
150-225A MAIN LUG KIT	ECMLK3225
SURF. MOUNT SPACER KIT	ECSMK1
ARC FLASH LABEL	ECAFL
100A MAIN BRKR KIT (BACK-FED)	MBK3100

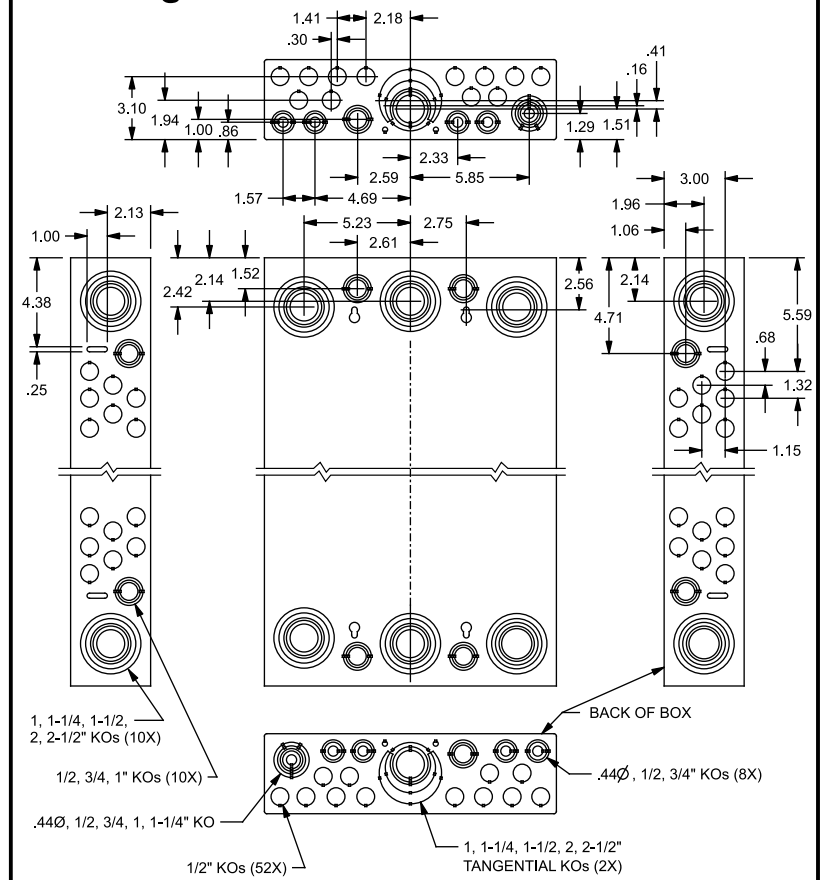
REFER TO WIRING DIAGRAM FOR
CORRECT ACCESSORY USAGE

DESCRIPTION	MAIN BREAKER KITS			
	CATALOG NO.	150A	200A	225A
10K AIC	MBK3150R	MBK3200R	MBK3225R	
22K AIC	MBK3150HR	MBK3200HR	MBK3225HR	
65K AIC	MBK3150HHR	MBK3200HHR	MBK3225HHR	
100K AIC	HMBK3150HR	HMBK3200HR	HMBK3225HR	

125A and 175A BREAKER KITS ARE ALSO AVAILABLE

GROUND BAR KITS	
DESCRIPTION	CAT. NO.
TYPE EC3GB KIT, 21 SCREWS	EC3GB21
TYPE EC3GB KIT, 21 SCREWS, 2/0 LUG	EC3GB212
TYPE EC3GB KIT, 27 SCREWS	EC3GB27
TYPE EC3GB KIT, 27 SCREWS, 2/0 LUG	EC3GB272
TYPE EC3GB KIT, 30 SCREWS	EC3GB30
TYPE EC3GB KIT, 30 SCREWS, 2/0 LUG	EC3GB302
TYPE EC3GB KIT, 35 SCREWS, 2/0 LUG	EC3GB352

KO Diagram



© 2016 Copyright Siemens Industry, Inc.

SIEMENS
Siemens Industry, Inc.

PL Series Load Centers™

Description: **3 Phase, Indoor, 54 Position,
70 Ckts Max, 225A Main Breaker**

KAM 9/8/16 DO NOT SCALE DRAWING Dwg No: **P5470B3225CU**