

Heavy Duty Double Throw Safety Switch

Type VBII, 200 Amp, Type 1 (Indoor)

Standards and Ratings

- UL Listed under file #E4776
- Meets UL98 for switches and UL50 for enclosures
- Suitable for use as Transfer Equipment on optional standby systems as defined by Article 702 of the NEC
- Meets NEMA Standard KS-1 for enclosed switches (Type HD)
- Meets NEC wire bending space requirements
- Suitable for use as service equipment
- AIC Ratings
General Duty 10,000 AIC when protected by Class H or 100,000 AIC when protected by Class R, J or T fuses (fuse ampere rating must not exceed switch ampere rating)
Heavy Duty 10,000 AIC with Class H or 200,000 AIC when used with or

protected by Class R, J or T fuses (fuse ampere rating must not exceed switch ampere rating)

Features

- Quick-make and break switching action
- Visible blade, double break construction
- Highly visible ON/OFF indication
- Modular design allows quick and easy replacement of parts
- Front removable lugs which can easily be converted to copper body or compression type lugs
- Defeatable dual cover interlock
- All copper current carrying parts ¹
- Tangential knockouts
- Handle is padlockable in OFF position

General Information

Catalog Number	Max AC Volts	Description	Shipping Weight (lbs.)
DTF224 ²	240	Fusible, 2 Pole, 2 Wire	89
DTF324 ²	240	Fusible, 3 Pole, 3 Wire	92
DTF364 ²	600	Fusible, 3 Pole, 3 Wire	92
DTNF224	240	Non-fusible, 2 Pole, 2 Wire	79
DTNF324	240	Non-fusible, 3 Pole, 3 Wire	82
DTNF364	600	Non-fusible, 3 Pole, 3 Wire	82

Horsepower Ratings ³

Catalog Number	240V 1Ø		240V 3Ø		480V 3Ø		600V 3Ø		250V DC	
	Std	Max	Std	Max	Std	Max	Std	Max	Std	Max
DTF224	15	—	25	60	—	—	—	—	40	—
DTF324	15	—	25	60	—	—	—	—	40	—
DTF324	15	—	25	60	50	125	60	150	40	—
DTNF224	—	15	—	60	—	—	—	—	—	40
DTNF324	—	15	—	60	—	—	—	—	—	40
DTNF364	—	15	—	60	—	125	—	150	—	40

¹ Lugs are aluminum alloy as standard. Optional copper body lugs are available.

² Fusible switches accept: Class H fuses as standard or Class R or T fuses with kit, Class J fuses (move load base).

³ Dual horse ratings: Std - applies when non-time delay fuses are installed.
 Max - applies when time-delay fuses are installed.

Product Specification Sheet HD200.7

Answers for industry.

SIEMENS

Product Specification Sheet #HD200.7 (page 2 of 3)

Accessories

Catalog Number	Description
HA161234	Auxiliary Switch (1-NO & 1 NC) ¹
HA261234	Auxiliary Switch (2-NO & 2 NC) ¹
HA361234	Low Voltage Auxiliary Switch ¹
HG61234	Equipment Ground Lug Kit (two lugs provided)
HG261234	Isolated Equipment Ground Lug Kit
HNC264	Neutral Kit
HR64	Class R Fuse Clip Kit (3 fuse clips per kit, (2) kits required per switch)
HT24 2	300V Class T Kit (2) required per pole
HT64 2	600V Class T Kit (2) required per pole
HLC64	Copper Lug Kit (9 lugs per kit) ¹
HCL64	Compression Lug Neutral Barrier Kit

Replacement Parts

Catalog Number	Description
HBB64	Fusible Load Side Replacement Base (2) kits required per switch
HBB21	Fusible Line Side Replacement Base (2) kits required per switch
HNB64	Non-fusible Replacement Line Base (2) kits required per switch
HHD61234	Replacement Handle/Handle Guard
HL64	Replacement Lugs (3 lugs per kit)
HM64	Replacement Mechanism ²
3	Replacement Door

Mechanical Lug Wire Ranges (60/75°C, Cu/Al)

Description	Wire Range
Line, Load	#6-250 Kcmil
Neutral	
Ground	#14-4 AWG

Compression Lugs (UL listed for field installation)

Wire Size	Burndy		Thomas-Betts		IIsco	
	CU ONLY	CU/AL	CU ONLY	CU/AL	CU ONLY	CU/AL
#2	YA2C-L Box	YA2CA1	54142-TB	60117	CRB-2	IACL-2
	YA2C				CRB-2L	ACN-2
#1	YA1C-L BOX	YA1CA1	54147	60123	CRA-1-38	ACN-1
	YA1C		54947BE		CRA-1L	
1/0	YA25-L BOX	YA25A1	54153-TB	60129	CRA-0	IACL-1/0
	YA25		54949BE	61130	CRA-1/0L	ACN-1/0
2/0	YA26-L3	YA26A6	54158	60135	CRA-2/0	ACL-2/0
	YA26		256-30695-1229	61136	CRA-2/0L	IACL-2/0
3/0	YA27-L3	YA27A1	54163-TB	60141	CRC-3/0	IACL-3/0
	YA27			61142	CRB-3/0L	ACL-3/0
4/0	YA28-L3	YA28A1	54168	61148	CRC-4/0	IACL-4/0
	YA28-TC38		256-30695-1253	60147	CRB-4/0L	ACL-4/0
250 Kcmil	YA29-L7		54173	61156	CRA-250	
			54913BE			

¹ (2) required per switch (one for each of the two line bases).

² (4) required for 2 pole and (6) required for 3 pole switch.

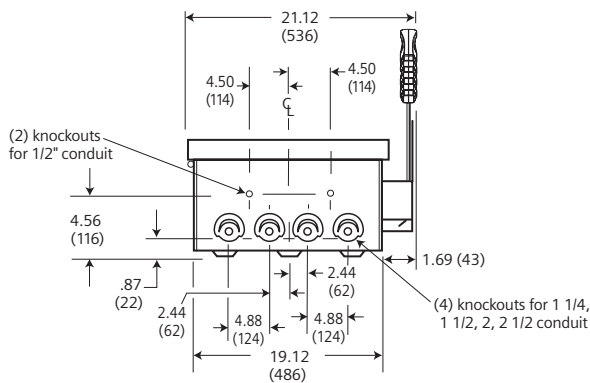
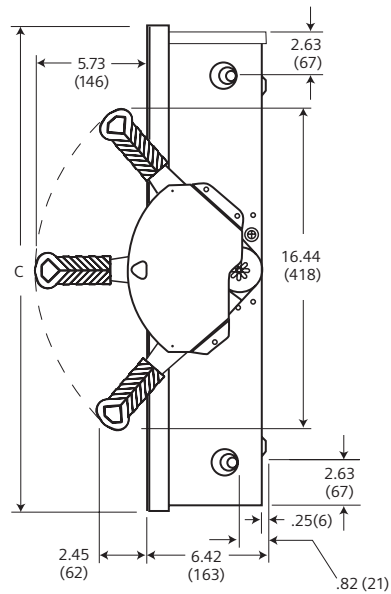
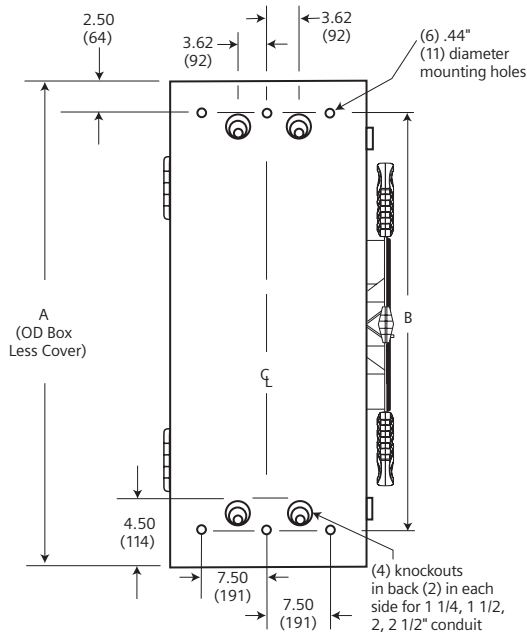
³ Catalog number is same as switch catalog number plus "DOOR" suffix.

Product Specification Sheet #HD200.7 (page 3 of 3)

Dimension Drawing

Dimensions and Wire Bending Space

Catalog Number	Dimensions			Wire Bending Space	
	A	B	C	Top	Bottom
DTNF224 DTNF324 DTNF364	36.00 (914)	31.00 (787)	36.65 (931)	7.50	7.50
DTF224 DTF324 DTF364	49.48 (1257)	44.50 (1130)	50.12 (1273)	7.50	10.00 10.00 7.50



Note: Typical of both top and bottom ends

Dimensions shown in inches and millimeters ().
Dimension shown accurate to $\pm \frac{1}{8}$ inch.

Enclosure: Cold Rolled Steel .060 Thick (17 Gauge)
Finish – ANSI Grey #61 Paint