

CATALOG NUMBER

# ECMMRLCK

## Ringless Conversion Kit



0 40892 16527 2

**⚠ DANGER**

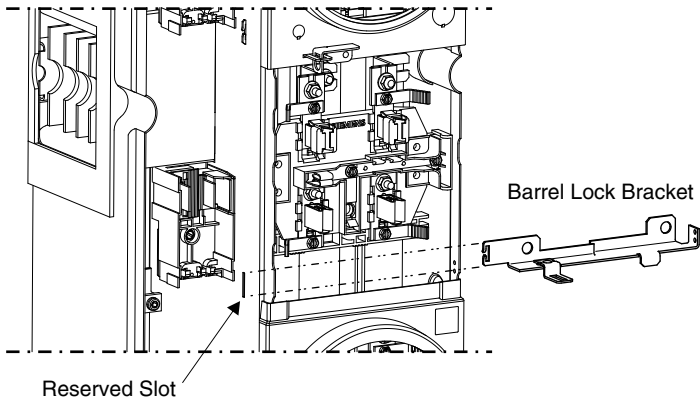
**Hazardous Voltage.**  
Will cause death, serious injury or substantial property damage.

Turn off power supplying this equipment before working inside.

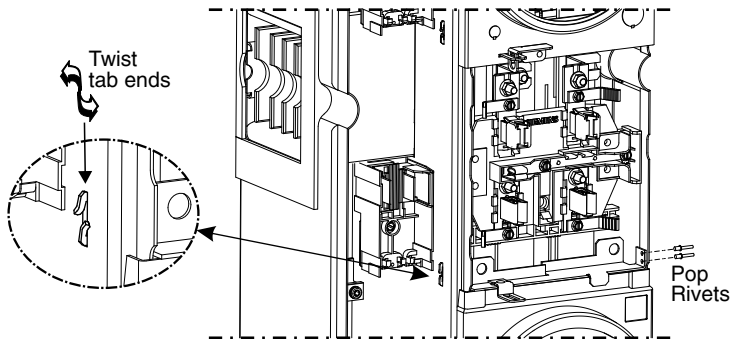
**Note:** This instruction outlines the recommended installation procedure. For installation by a qualified person, as defined by all local electrical codes and/or the National Electrical Code ®.

### Ringless Conversion Kit: Converts ring style socket to ringless style socket.

1. Turn off and lock off the power supplying the device before working inside.
2. Clean and prepare surface; remove any old or damaged material before installing replacement part. Do not allow petroleum based (hydrocarbon) sprays, chemicals, solvents or any paint to contact plastic components.
3. Remove Breaker Cover and Ring Style Meter Cover from device.
4. Insert Barrel Lock Bracket through reserved slot in vertical barrier.

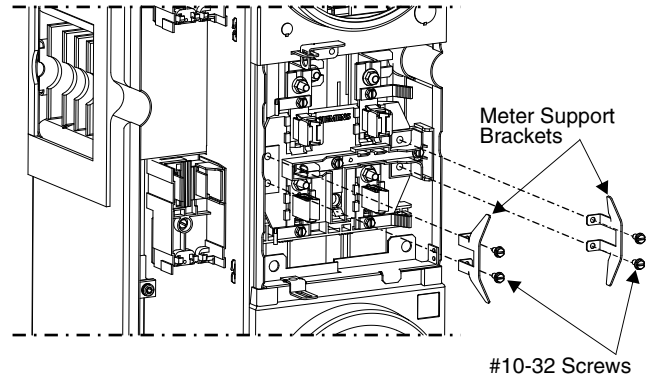


5. Secure left side of Barrel Lock Bracket by twisting tab ends as shown.
6. Pop rivet right side of Barrel Lock Bracket to enclosure as shown.



Ringless Conversion Kit Contents:	Ringless Meter Covers Installed View
#10-32 Screws	
Pop Rivets	
Ringless Meter Support Brackets	
Barrel Lock Bracket	
Ringless Cover	

7. Install Ringless Meter Support Brackets. Secure with (4) #10-32 screws, tighten to 15-20 lb.-ins.



8. Install Ringless Cover.

