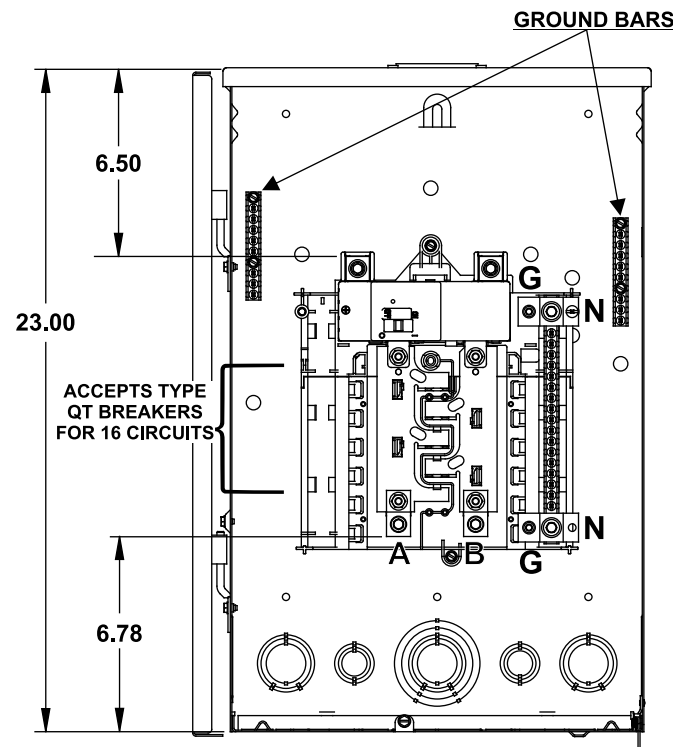


Catalog Numbers, Features and Ratings

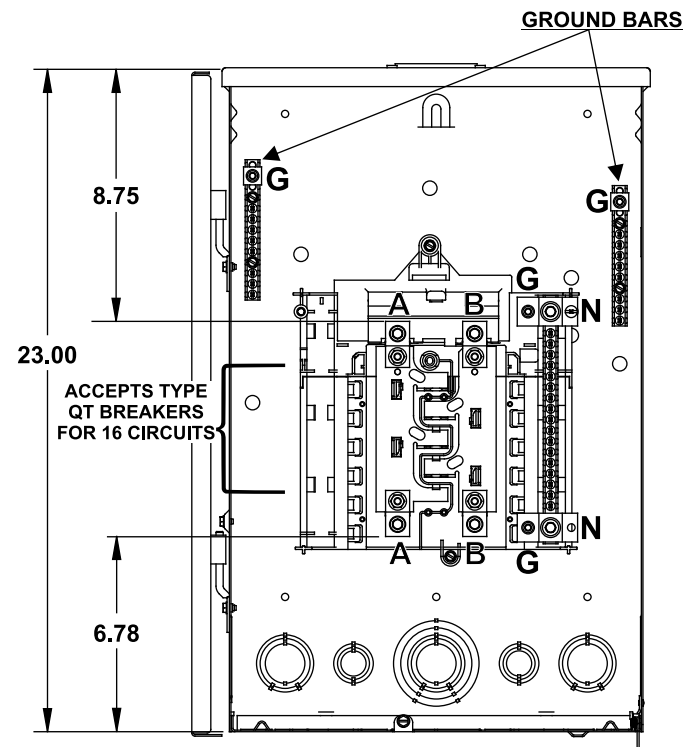
- 1 PHASE, 3 WIRE, 120/240V ~
- FEED-THRU TERMINALS FACTORY INSTALLED
- PW0816L1200TC: 65K AIC MAX RATED (SEE WIRING DIAGRAM FOR DETAILS)
- PW0816B1150TC: 22K AIC MAIN BREAKER (SEE WIRING DIAGRAM FOR DETAILS)
- PW0816B1200TC: 22K AIC MAIN BREAKER (SEE WIRING DIAGRAM FOR DETAILS)
- CONVERTIBLE TO MAIN BREAKER or MAIN LUG
- TYPE N3R OUTDOOR ENCLOSURE
- ANSI 61 GRAY POWDER COATED

Catalog Number	ENCLOSURE DIMS			Amps Max	Number Spaces	Number Circuits	Bus Bar Material	Bus Bar Plating	Percent Neutrals
	L	W	D						
PW0816B1150TC	23.00	14.25	3.88	150	08	16	Copper	no	100%
PW0816B1200TC	23.00	14.25	3.88	200	08	16	Copper	no	100%
PW0816L1200TC	23.00	14.25	3.88	200	08	16	Copper	no	100%

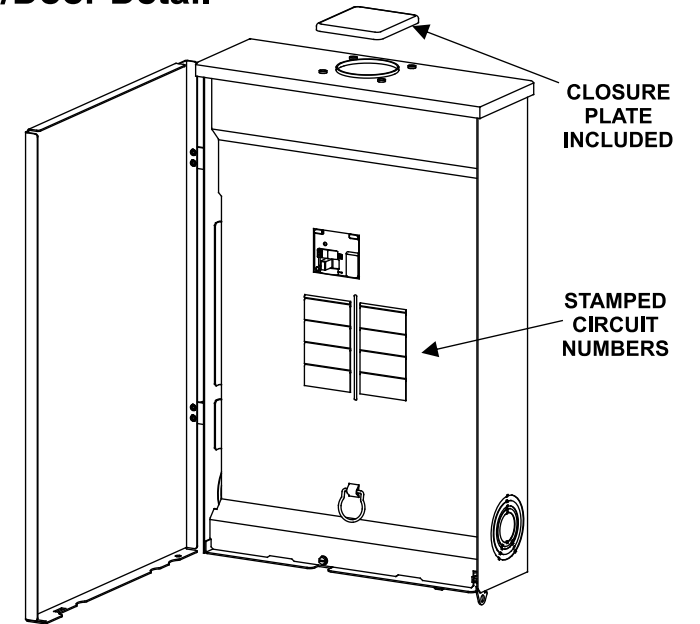
PW0816B1150TC PW0816B1200TC CONVERTIBLE TO MAIN LUG



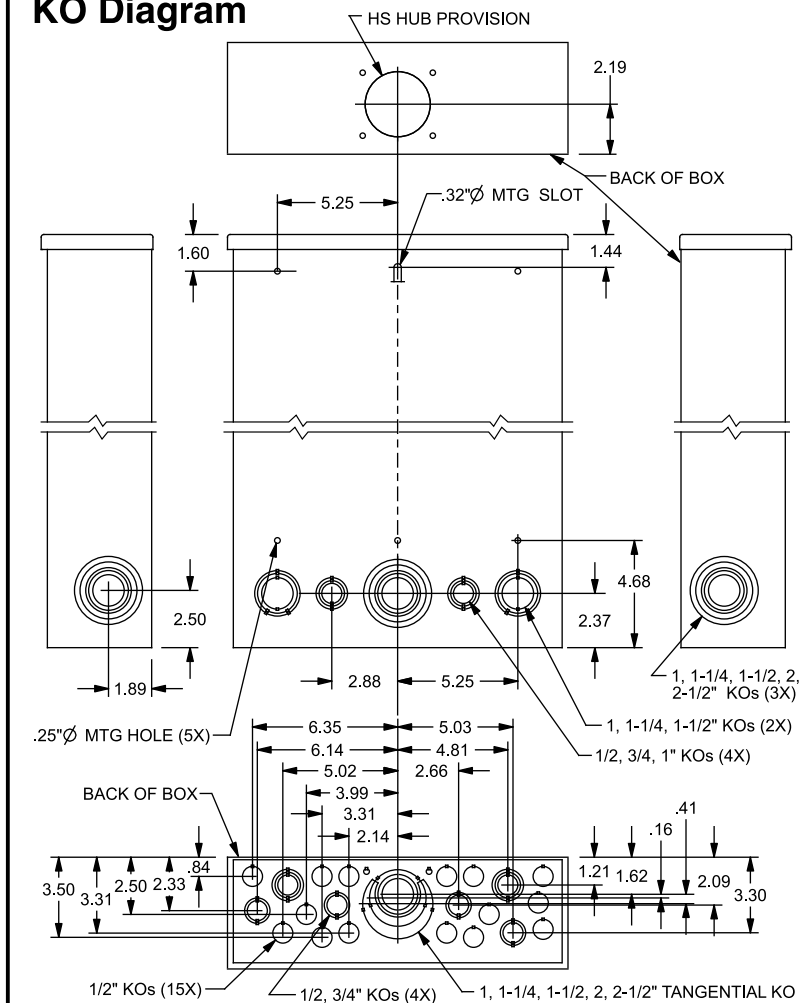
PW0816L1200TC CONVERTIBLE TO MAIN BREAKER



Trim/Door Detail



KO Diagram



TERMINAL WIRE SIZES AND TORQUES

PW0816B1150TC, PW0816L1200TC, PW0816B1200TC

USE COPPER OR ALUMINUM 60°/75°C WIRE
SEE BREAKER MARKINGS FOR WIRE SIZE AND TORQUE REQUIREMENTS.

TERMINALS	WIRE	TORQUE
A, B, N	4/0 - 4 AWG CU; 300kcmil - 4 AWG AL	275 LB-INS
MAIN BREAKER	3/0 AWG CU; 250 kcmil AL MAX.	See Breaker
G	2/0-4 AWG	110 LB-INS
NEUTRAL/GROUND BARS (USE TYPE EC1GB or EC2GB GND BAR KIT ACCESSORY)	10-14 CU/10-12 AL 8 AWG 6-4 AWG	20 LB-INS 25 LB-INS 35 LB-INS
GROUND CONDUCTORS ONLY	(2)or(3) 14 AWG (2) 12-10 AWG	20 LB-INS 20 LB-INS
ECLK1-2 NEUTRAL LUG KIT	2/0-2 AWG	45 LB-INS
ECLK2 NEUTRAL LUG KIT	2/0-4 AWG	135 LB-INS
ECLK3 NEUTRAL LUG KIT	300 kcmil - 1 AWG	340 LB-INS
MAIN LUG/MAIN BRKR TO BUS CONNECTION (1/4-20 NUT)		45 LB-INS
BONDING SCREW		45 LB-INS

ACCESSORIES

REFER TO WIRING DIAGRAM FOR
CORRECT ACCESSORY USAGE

DESCRIPTION	CAT. NO.
FILLER PLATE, 1"	QF3
QP BREAKER HOLD-DOWN	ECMBR2
QNR LINE TERMINAL BARRIER	ECLTB3
BONDABLE GROUND LUG	ECLKB1
ARC FLASH LABEL	ECAFL
STANDBY PWR INTERLOCK KITS:	
ECSBPk01, ECSBPk02, ECSBPk03,	
ECSBPk05, ECSBPk06, ECSBPk07	

DESCRIPTION	CAT. NO.
TYPE EC1GB KIT, 8 SCREWS	EC1GB8
TYPE EC1GB KIT, 8 SCREWS, 2/0 LUG	EC1GB82
TYPE EC2GB KIT, 12 SCREWS	EC2GB12
TYPE EC2GB KIT, 12 SCREWS, 2/0 LUG	EC2GB122
TYPE EC2GB KIT, 15 SCREWS	EC2GB15
TYPE EC2GB KIT, 15 SCREWS, 2/0 LUG	EC2GB152

TRADE SIZE	CAT. NO.
1 INCH	ECHS100
1-1/4 INCH	ECHS125
1-1/2 INCH	ECHS150
2 INCH	ECHS200
2-1/2 INCH	ECHS250

DESCRIPTION	CAT. NO.
150 AMP MAIN BREAKER	MBK150A
200 AMP MAIN BREAKER	MBK200A
150-225 AMP MAIN LUG	ECMLK225

© 2018 Copyright Siemens Industry, Inc.

SIEMENS
Siemens Industry, Inc.

PL Series Load Centers™

Description: **1 Phase, Outdoor,
8 Position, Feed-Thru Cut Sheet**

KAM 1/11/18 DO NOT SCALE DRAWING Dwg No: 10D 08 PL FT