

SIGNAL COLUMN,
DIAMETER 70 MM ACCESSORIES,
FOOT (SINGLE), METAL-CLAD VERS., TUBE,
1000 MM FOR TUBE LENGTHS > 500MM



General technical details:

product brand name		SIRIUS
Reference code		U
<ul style="list-style-type: none"> • according to DIN EN 61346-2 		

Mechanical design:

Mounting type		mounting on pipes
External diameter / of the signal column element	mm	70

Ambient conditions:

Ambient temperature		
<ul style="list-style-type: none"> • during operating 	°C	-20 ... +50
Height	mm	31
Width	mm	70

Certificates/approvals:

General Product Approval

EMC



Shipping Approval



Further information:

Information- and Downloadcenter (Catalogs, Brochures,...)

<http://www.siemens.com/industrial-controls/catalogs>

Industry Mall (Online ordering system)

<http://www.siemens.com/industrial-controls/mall>

Cax online generator:

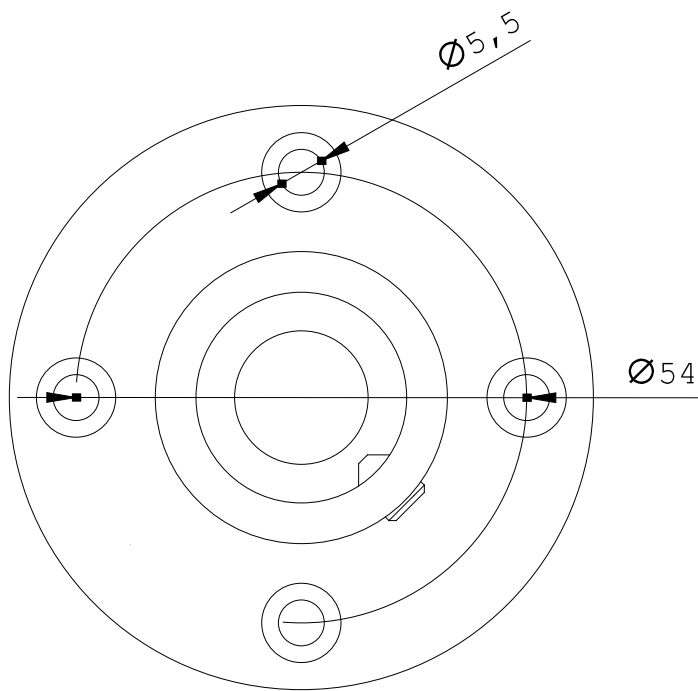
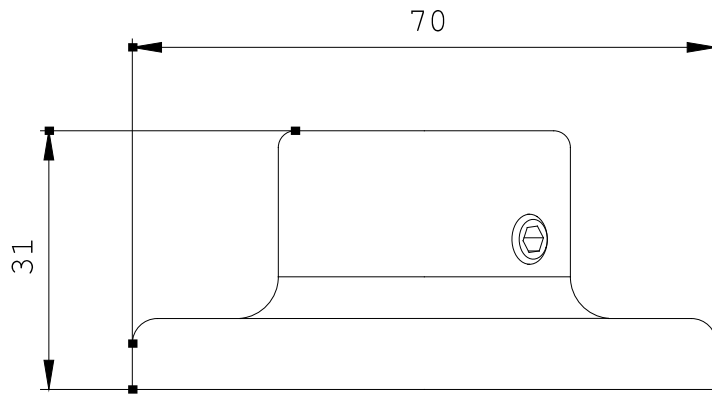
<http://www.siemens.com/cax>

Service&Support (Manuals, Certificates, Characteristics, FAQs,...)

<http://support.automation.siemens.com/WW/view/en/8WD4308-0DC/all>

Image database (product images, 2D dimension drawings, 3D models, device circuit diagrams, ...)

http://www.automation.siemens.com/bilddb/cax_en.aspx?mlfb=8WD4308-0DC



last change:

Apr 21, 2014