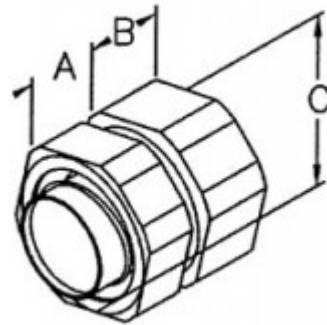


Transition Coupling, Rigid/IMC Conduit to Liquidtight FMC, 1 Inch, NPT Threads

For creating a Liquidtight/Raintight Connection between 2 different Raceways: 1" Rigid Conduit (GRC & IMC) and 1" Liquidtight Flexible Metallic Conduit (LFMC). Suitable for use in wet locations. Concrete Tight. Malleable Iron Body with Steel Ferrule

[Download Photo](#)[Download Drawing](#)

Product details

Catalog Number:	4372-LT
UPC Number:	78174720372
Primary Materials:	Steel
Finish:	Zinc Plated
Trade Size:	1"
Unit Quantity:	5
Standard Package Quantity:	25

Dimensions

Trade Size:	1"
Dimensions A:	1
Dimensions B:	13/16
Dimensions C:	1-7/8

Certifications & Codes

Federal Specification Number: A-A-50553A**UL File Number:** E9391**UNSPSC:** 39131707**Nema Standard:** FB-1**UL Standard:** UL-514B