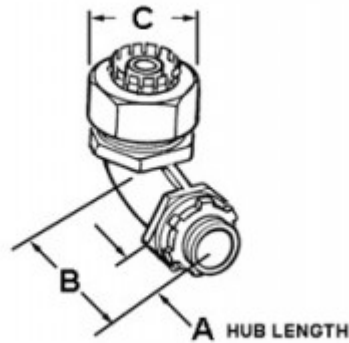


## Connector, Liquid Tight, 90 Degree, Die Cast Zinc, Insulated Throat, Size 4 Inch

90 Degree connector for use with metallic and nonmetallic "Type B" liquid tight conduit. 1" and up cast zinc. Insulator rated 105 degree C. Liquidtight connectors are suitable for use in Class I, Div 2; Class II, Div 1 and 2; and Class III, Div 1 and 2 hazardous locations.

[Download Photo](#)[Download Drawing](#)

### Product details

<b>Catalog Number:</b>	479-LTI2
<b>UPC Number:</b>	781747164797
<b>Finish:</b>	Zinc electro-plate
<b>Trade Size:</b>	4"
<b>Standard Package Quantity:</b>	1

### Dimensions

<b>Trade Size:</b>	4"
<b>Dimensions A:</b>	1-3/16
<b>Dimensions B:</b>	4-1/2
<b>Dimensions C:</b>	5-9/16

### Certifications & Codes

**Federal Specification Number:** A-A-50552**UL File Number:** E9391**CSA File Number:** LR39354**UNSPSC:** 39121420**Nema Standard:** FB-1**UL Standard:** UL-514B