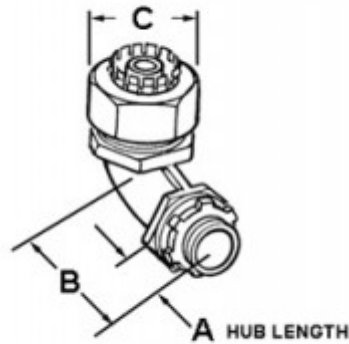


Connector, Liquid Tight, 90 Degree, Malleable Iron, Size 4 Inch, Insulated

90 Degree connector for use with metallic liquid tight conduit. Liquidtight connectors are suitable for use in Class I, Div 2; Class II, Div 1 and 2; and Class III, Div 1 and 2 hazardous locations.

[Download Photo](#)[Download Drawing](#)

Product details

Catalog Number:	479-SLTI
UPC Number:	781747044792
Primary Materials:	Malleable Iron
Finish:	Zinc electro-plate
Trade Size:	4"
Standard Package Quantity:	1

Dimensions

Trade Size:	4"
Dimensions A:	1-1/2
Dimensions B:	5
Dimensions C:	5-3/4

Certifications & Codes

Federal Specification Number: A-A-50552**UL File Number:** E9391**CSA File Number:** LR39354**UNSPSC:** 39121420**Nema Standard:** FB-1**UL Standard:** UL-514B