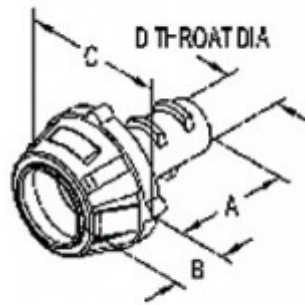


E-Z LOCK® Screw-in Connector

For connecting flexible metal conduit to box or enclosure. Screw connector into conduit and snap into electrical box. Patented E-Z LOCK® design.

[Download Photo](#)[Download Drawing](#)[Download Drawing](#)

Product details

Catalog Number:	GF38SP
UPC Number:	78174771519
Primary Materials:	Zinc Die Cast
Finish:	Ball Burnished, Mirror Smooth
Trade Size:	3/8"
Unit Quantity:	100
Standard Package Quantity:	1000

Dimensions

Trade Size:	3/8"
Dimensions A:	0.875
Dimensions B:	0.4375
Dimensions C:	1.0625
Dimensions D:	0.317

Certifications & Codes

Federal Specification Number: A-A-50552

UL File Number: E9391

UNSPSC: 39121419

Nema Standard: FB1

UL Standard: UL-514B

Country Of Manufacture: USA