

# DMVF Series Compact Fluorescent

## Champ® Luminaires

Cl. I, Div. 2, Groups A, B, C, D  
Restricted Breathing Cl. I, Div. 2  
& Zone 2 (Suffix S826)  
Certified for IEC Zone 2  
(Suffix S826TB)

Cl. II, Groups E, F, G; Cl. III &  
Simultaneous Presence  
Marine & Wet Locations  
3, 3R, 4, 4X; IP66

**5L**

### Applications:

DMVF Series Champ Luminaires are used:

- In areas made hazardous by abnormal conditions resulting in the presence of flammable vapors or gases
- In areas made hazardous by the presence of combustible dusts
- Where combustible dusts and flammable vapors are present simultaneously
- In marine applications where water spray and corrosive atmospheres are considerations
- On installations where vibration and rough usage are problematic
- Where a cool, efficient light source is required
- In areas that require lamps to reach full illumination immediately
- In refineries, chemical and petrochemical facilities, grain processing, handling or storage facilities, manufacturing plants, wastewater treatment plants, sewage treatment plants, oil terminals, food processing facilities, breweries, and any other manufacturing or processing facility where safe, reliable, hazardous area fluorescent or auxiliary lighting is needed

### Standard Features:

- Housings made of die-cast copper-free aluminum (less than 0.4 of 1% copper) for strength and resistance to corrosion
- Mounting modules equipped with integral hub set screws for vibration resistance (ceiling, pendant, and quad mounts)
- Hubs are provided with an integral conduit stop and bushing to help prevent damage to field wiring during installation
- Epoxy powder finish and stainless steel external hardware for resistance to corrosion
- Long-life gaskets which provide seals between mounting module, housing, and optical assembly
- Grounding wire for safety
- Cool operating design
- Optional stainless steel open bottom guard permits direct access to the globe for easy relamping
- Optional battery pack ballast for auxiliary lighting

### Certifications and Compliances:

- NEC and CEC:
  - Class I, Division 2, Groups A, B, C, D
  - Class II, Class III & Simultaneous Presence (Class I, Division 2 and Class II)
  - Class I, Zone 2
- IEC:
  - Zone 2 Ex nR IIC
- UL Standards:
  - 844 Hazardous (Classified) Locations
  - 1598 Luminaires
  - 1598A Marine Locations
- CSA Standards:
  - C22.2 No. 137
- IEC Standards:
  - 60079-15

### Standard Materials:

- Ballast housings and mountings – copper-free aluminum (less than 0.4 of 1%)
- Exterior hardware and guards – stainless steel
- Reflectors – Krydon® fiberglass-reinforced polyester
- Globe – heat- and impact-resistant internally fluted glass

### Standard Finishes:

- Aluminum – gray epoxy powder coat
- Krydon material – high reflectance white
- Stainless steel – natural

### Options:

Description	Suffix
Restricted Breathing Construction .....	<b>S826</b>
Class I, Division 2 & Zone 2 Suitability	
Cooler Operating Temperatures (T-Numbers)	
Certified for IEC Zone 2 (Suffix S826TB) .....	<b>S826TB</b>
Furnished with	
Terminal Block	
Crimp Terminals	
Factory assembled with lamps installed for additional labor savings .....	<b>FA</b>
Fused – to protect ballast against abnormal line conditions (not available on CSA certified fixtures) (not suitable for marine applications) .....	<b>S658</b>
Lamps supplied with fixture.....	<b>S714</b>
Top hat with stainless steel threaded insert to attach ballast housing.....	<b>S806</b>
TEFLON® coating on globe for increased shatter protection.....	<b>S808</b>
Quick-Clip .....	<b>S890</b>



### Accessories:

Reflectors (to be used with globe)

Type	Cat. #
Dome	<b>RD739</b>
30° Angle	<b>RA739</b>

To be ordered separately.

### Energy Savings

- Less wattage used with compact fluorescent lamps compared to equivalent incandescent lamps providing the same light output

### Electrical Rating Ranges:

- Wattage: Two 26, 32, or 42 watt lamps
- 120–277V, 50–60Hz
- 347V, 60Hz
- 12, 24, and 125VDC

5L








5L

**DMVF Series  
Compact Fluorescent**

**Champ® Luminaires**

Cl. I, Div. 2, Groups A, B, C, D  
Restricted Breathing Cl. I, Div. 2  
& Zone 2 (Suffix S826)  
Certified for IEC Zone 2  
(Suffix S826TB)

Cl. II, Groups E, F, G; Cl. III &  
Simultaneous Presence  
Marine & Wet Locations  
3, 3R, 4, 4X; IP66

	Mounting Style	Hub Size (In.)	Luminaire Watts	DMVF Series Fluorescent with G303 Globe and P33 Guard Cat. #
	Pendant Mount	3/4	52	DMVF2A052GP
		1		DMVF3A052GP
		3/4	64	DMVF2A064GP
		1		DMVF3A064GP
		3/4	84	DMVF2A084GP
		1		DMVF3A084GP
	Flexible Pendant Mount	3/4	52	DMVF2HA052GP
		3/4	64	DMVF2HA064GP
		3/4	84	DMVF2HA084GP
	Ceiling Mount Thru-Feed	3/4	52	DMVF2C052GP
		1		DMVF3C052GP
		3/4	64	DMVF2C064GP
		1		DMVF3C064GP
		3/4	84	DMVF2C084GP
		1		DMVF3C084GP
	Wall Mount Thru-Feed	3/4	52	DMVF2TW052GP
		1		DMVF3TW052GP
		3/4	64	DMVF2TW064GP
		1		DMVF3TW064GP
		3/4	84	DMVF2TW084GP
		1		DMVF3TW084GP
	Quad-Mount Pendant, Adjustable Thru-Feed, 25° Angle, 12 1/2° Angle	3/4	52	DMVF25Q052GP
		3/4	64	DMVF25Q064GP
		3/4	84	DMVF25Q084GP
	Stanchion Mount 25° Angle	1 1/2	52	DMVFJ052GP
		1 1/2	64	DMVFJ064GP
		1 1/2	84	DMVFJ084GP
	Stanchion Mount Straight	1 1/2	52	DMVFP052GP
		1 1/2	64	DMVFP064GP
		1 1/2	84	DMVFP084GP

1. Catalog numbers are basic numbers. Voltages must be specified.

Voltage Suffix	STANDARD VOLTAGE BALLASTS NEC/UL & CEC/CSA (cUL)		OPTIONAL BALLASTS		
		CEC/CSA (cUL)	125V DC /125VDC	12V DC /012VDC	24V DC /024VDC
	120-277V 50-60Hz /UNV	347V 60Hz /347			

## DMVF luminaires are available in components.

A complete luminaire consists of:

- I. Champ Cover (Mounting Module)
- II. DMVF Ballast Housing
- III. Globe, Globe Guard, Globe Reflectors

### I. Champ Cover (Mounting Module):

Type	Conduit	Cat. #
Pendant Mount	$\frac{3}{4}$ "	<b>APM2</b>
	1	<b>APM3</b>
Flexible Pendant	$\frac{3}{4}$ "	<b>HPM2</b>
Ceiling	$\frac{3}{4}$ "	<b>CM2</b>
	1	<b>CM3</b>
Wall	$\frac{3}{4}$ "	<b>TWM2</b>
	1	<b>TWM3</b>
Stanchion - 25 Degree Angle	1 $\frac{1}{2}$ "	<b>JM5</b>
Stanchion - Straight	1 $\frac{1}{2}$ "	<b>PM5</b>
Quad-Mount	$\frac{3}{4}$ "	<b>QM25</b>

### II. Ballast Housings:

Complete catalog number must have the **voltage suffix** (UNV shown) and any **options suffixes**.

Lamp Type	Lamp Watts	Cat. #
Compact Fluorescent	2 (26W)	<b>DMVF052/UNV</b>
	2 (32W)	<b>DMVF064/UNV</b>
	2 (42W)	<b>DMVF084/UNV</b>

### III. Globe, Guards and Reflectors:

Type	Cat. #
Globe	<b>G303</b>
Teflon Coated	<b>G303S808</b>
Globe Guard	<b>P33</b>
Globe Reflector-Dome	<b>RD739</b>
Globe Reflector-Angle	<b>RA739</b>



5L

# DMVF Series Compact Fluorescent

Family Tree

Champ® Luminaires

**COVERS:**

PENDANT

- APM2 3/4 IN.
- APM3 1 IN.
- HPM2 3/4 IN.

WALL

- TWM2 3/4 IN.
- TWM3 1 IN.

QUAD—MOUNT

- QM25 3/4 IN.

CEILING

- CM2 3/4 IN.
- CM3 1 IN.

STANCHION

- JM5 1 1/2 IN.
- PM5 1 1/2 IN.

HOUSING

DMV F

GLOBE

- G303
- G303 S808

REFLECTOR/LENS

GRD4

REFRACTOR

- GR302
- GR303
- GR305
- PGR302\*
- PGR303\*
- PGR305\*

GUARD

P33

REFLECTOR

- RA739
- RD739



\*These plastic reflectors are for non-hazardous areas only (50-100W max).

# DMVF Series Compact Fluorescent

Temperature Performance Data  
Weights

5L

## Champ® Luminaires

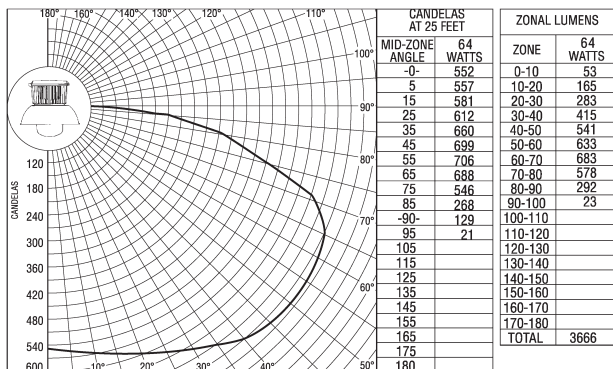
### Temperature Performance Data:

Lamp Watts	Minimum Operating Temperature	Maximum Ambient Temp.	Class I		Class II	Simultaneous Presence		Supply Wire °C
			Non-restricted Breathing	Restricted Breathing		Non-restricted Breathing	Restricted Breathing	
<b>Fluorescent:</b>	<b>DMVF</b>		<b>Div. 2</b>	<b>Zone 2 or Div. 2</b>	<b>Division 1</b>	<b>Cl. I, Div. 2/Cl. II</b>	<b>Cl. I, Zone 2 or Div. 2/Cl. II</b>	
52 Watt	-20°C (4°F)	40°C (104°F)	T3	T6	T6	T3/T6	T6	60
64 Watt	-20°C (4°F)	40°C (104°F)	T3	T6	T6	T3/T6	T6	60
84 Watt	-20°C (4°F)	40°C (104°F)	T3	T6	T6	T3/T6	T6	60

### Net Luminaire Weights:

Luminaire Series	Lamp Watts	Luminaire with Globe, Guard (lbs.)
DMVF	52, 64, 84	18¼
<b>Type</b>		<b>Lbs.</b>
<b>Add for mounting modules:</b>		
Pendant		1¼
Flexible Pendant		1½
Ceiling		2¾
Wall		4½
Quad-Mount		3½
Angle Stanchion		3½
Straight Stanchion		4½
<b>Add for reflectors:</b>		
Dome	1¼ 30° Angle	1¾
<b>Deduct:</b> 1 lb. for luminaire with P33 Guard		

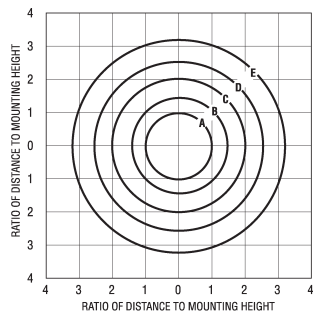
5L



**Note:** For 52 watt DMVF applications, use a .75 multiplier.  
For complete 84W IES files, please log onto [www.crouse-hinds.com](http://www.crouse-hinds.com) and go to Resources > Specification and Design Support > Photometric Files.

**DMVF Photometric Data**

Isofootcandle Chart:  
Luminaire with globe and dome reflector  
**DMVF064GRD Dome Reflector**



**DMVF064GRD Dome Reflector  
Coefficient of Utilization**

Effective Floor Cavity Reflectance 20%

Eff. Ceil.	Room Cavity Ratio	Room Cavity Ratio									
		Wall	1	2	3	4	5	6	7	8	9
80*	50*	.741	.617	.524	.452	.396	.351	.314	.283	.258	.236
	30*	.694	.548	.445	.370	.314	.271	.237	.210	.188	.169
	10*	.652	.491	.382	.308	.254	.214	.183	.159	.140	.125
70*	50*	.722	.601	.510	.440	.386	.342	.307	.277	.252	.231
	30*	.679	.537	.437	.364	.309	.267	.234	.207	.185	.167
	10*	.640	.483	.378	.305	.252	.212	.182	.158	.139	.124
50*	50*	.686	.570	.484	.418	.367	.326	.293	.265	.242	.223
	30*	.650	.516	.421	.351	.299	.259	.227	.202	.181	.163
	10*	.617	.470	.369	.299	.247	.209	.180	.155	.138	.123
30*	50*	.653	.542	.460	.398	.350	.311	.280	.254	.233	.214
	30*	.623	.497	.406	.340	.290	.251	.221	.197	.176	.160
	10*	.596	.457	.361	.293	.243	.206	.177	.154	.136	.121
10*	50*	.622	.516	.437	.379	.333	.297	.268	.244	.224	.206
	30*	.598	.478	.392	.329	.271	.244	.215	.192	.172	.156
	10*	.576	.444	.352	.287	.239	.203	.175	.152	.135	.120
0*	0*	.557	.424	.332	.267	.220	.184	.157	.136	.119	.105

\*Percent Reflectance.

**Footcandle Values for Isofootcandle Lines**

Mtg. Hgt.	A	B	C	D	E
8'	4.00	2.00	1.00	0.50	0.25
10'	2.56	1.28	0.64	0.32	0.16
12'	1.78	0.89	0.44	0.22	0.11
16'	1.00	0.50	0.25	0.13	0.06

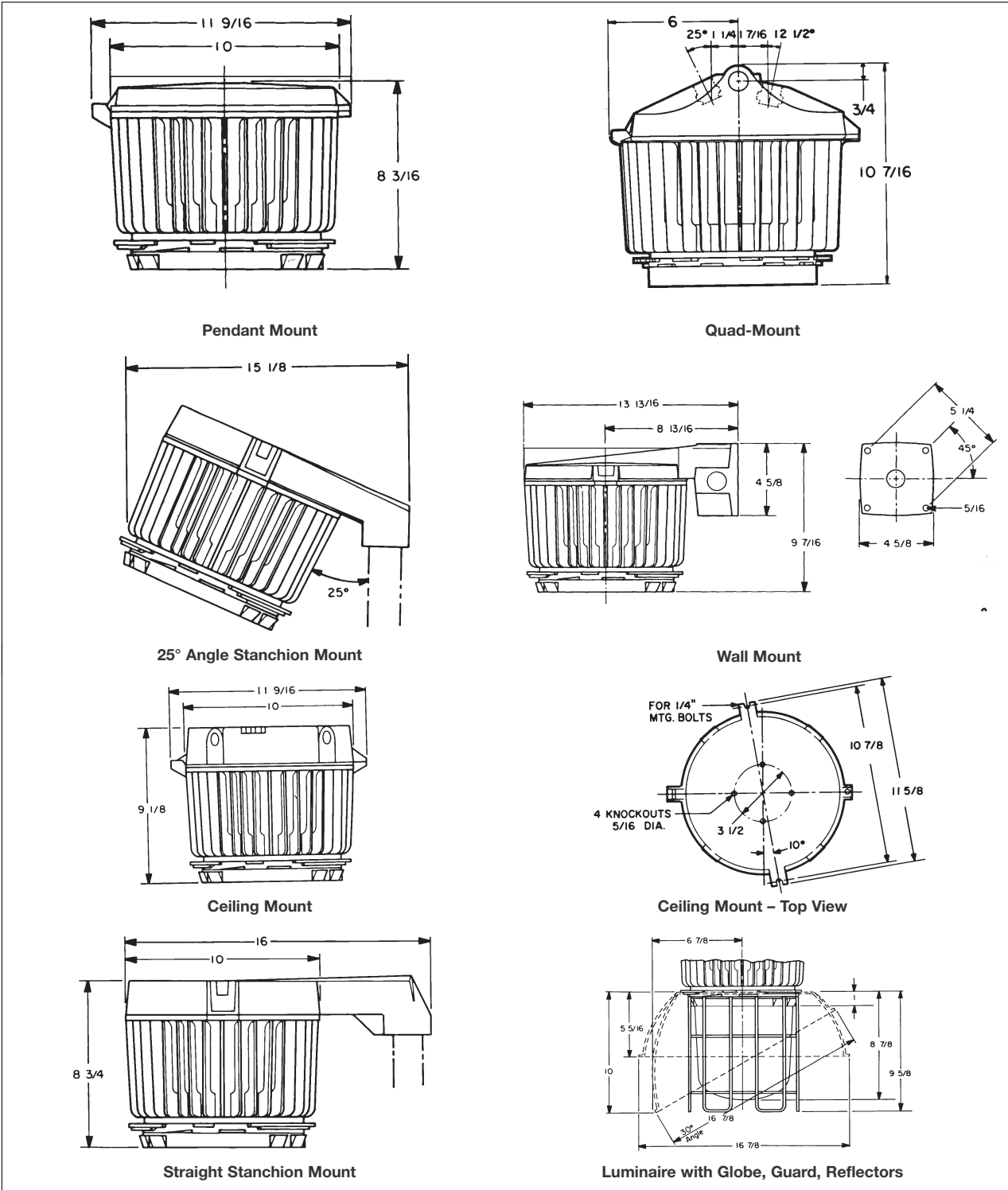
# DMVF Series Compact Fluorescent

Dimensions

5L

## Champ® Luminaires

### Dimensions In Inches:



5L