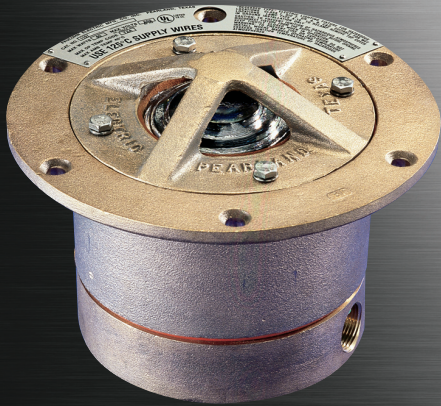


Haz

HazHelideck 1157D2/br



FEATURES

- Steady burn marker.
- Unique design allows re-lamping or servicing from either above or below deck.
- Protective guard provided.
- High temperature silicone gaskets provide a watertight seal.
- Heat and impact resistant glass in clear, yellow, green, red or blue.

APPLICATIONS

- Recessed heli-pad marking
- Marine and watertight requirements
- Oil and gas exploration and production

APPROVALS

- Class I Division 2 Groups A, B, C & D
- Class I Zone 2 Groups IIA, IIB, IIB + H2 and IIC
- ABS
- Type 4X
- Conforms to IP67

STANDARDS

- UL 844 - Hazardous Locations
- UL 1598 - Luminaires

TECHNICAL SPECIFICATIONS

HOUSING/BASE/GUARD

Cast marine brass.

LENS

Tempered glass in clear, red, blue, green or yellow.

HARDWARE

Stainless steel.

ENTRIES

Two 3/4" NPT outlets. Other options available.

GASKETS

One piece silicone.

LAMP TYPE

A-19 60w incandescent. Lamp not provided.

LAMP HOLDER

Medium base.

VOLTAGE

Rated up to 250v.

MOUNTING

Recessed, through deck. See DIMENSIONS for details.

TEMPERATURE CODE

Rated T2A at 40°C ambient.

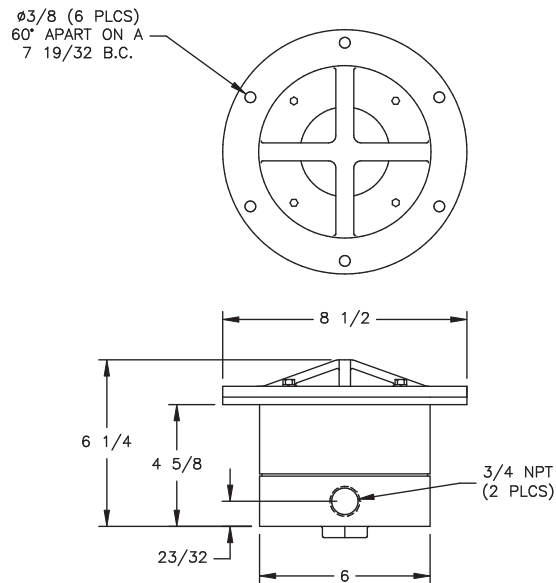
ORDERING REFERENCES

PART NUMBER	LENS COLOR	WEIGHT LBS
1157BCLRD2	Clear Lens	15.0
1157BREDD2	Red Lens	15.0
1157BBLUD2	Blue Lens	15.0
1157BGRND2	Green Lens	15.0
1157BYELD2	Yellow Lens	15.0

SPARE PARTS

Part No.	Description	Part No.	Description
INX4034	LAMP HOLDER	INX2127YEL	LENS, Yellow
INX1051B	GUARD	INX3526	LAMP 60w A-19
INX2127CLR	LENS, Clear	GKT3010SIL	Lens Cover
INX2127GRN	LENS, Green	GKT1166SIL	GASKET, Base
INX2127BLU	LENS, Blue	GKT2017SIL	GASKET, Deck
INX2127RED	LENS, Red	GKT1124	GASKET, Lens

DIMENSIONS



Dimensions in inches