

Pro

ProBerth 1060A/ml



FEATURES

- Compact design.
- Adjustable shade.
- Double pole switch and convenience outlet provided.

APPLICATIONS

- Berth and mirror
- Marine interior
- State room
- Head

APPROVALS

- Marine Outside Type Saltwater
- ABS
- Conforms to IP 40

STANDARDS

- UL 1598A - Luminaires for Marine Vessels

TECHNICAL SPECIFICATIONS

HOUSING/SHADE

Type 5052H32 aluminum with an electrostatically applied polyester powder coat white high gloss finish.

END CAPS

White polycarbonate.

ENTRIES

Three 1/2" knockouts.

LAMP HOLDER

Medium base, porcelain.

MOUNTING

Wall type, through luminaire interior, see DIMENSIONS for details.

LAMP TYPE

A-19 60w max or self ballasted compact fluorescent. Lamp not provided.

CONVENIENCE OUTLET

125v 3 wire 2 pole "U" ground. Optional "No Convenience Outlet".

SWITCH

Rocker type, double pole.

VOLTAGE

Rated to operate up to 250v AC 60Hz.

ORDERING REFERENCES

PART NUMBER	DESCRIPTION	LAMP SIZE	WEIGHT LBS
1060A	Incandescent Berth/Mirror	A-19 60w max	1.5

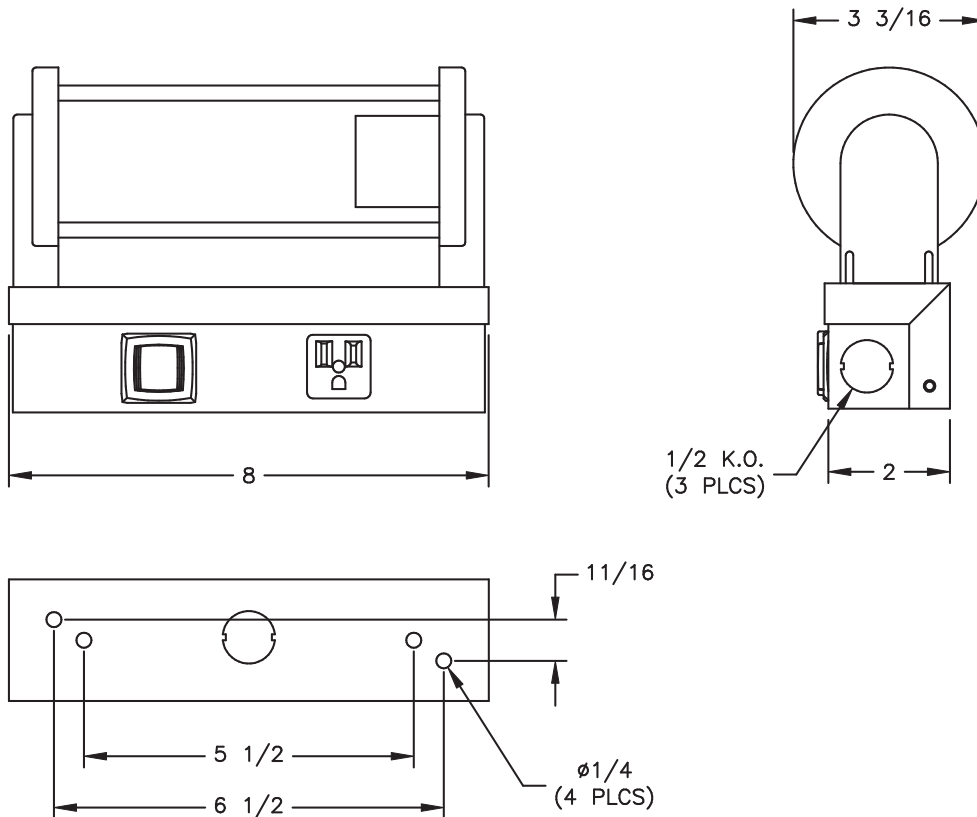
SPECIAL OPTIONS

LCO - Without Convenience Outlet

SPARE PARTS

Part No.	Description
INX3526	LAMP, 60w A-19 Incandescent
INX4087	LAMP HOLDER, Porcelain
CX3001	CONVENIENCE OUTLET, 15A 125v
INX3379	SWITCH, Double Pole Rocker

DIMENSIONS



Dimensions in inches