

Pro

ProBerth F1061/ml



FEATURES

- Compact design.
- Adjustable shade.
- Double pole switch and convenience outlet provided.

APPLICATIONS

- Berth and mirror
- Marine Interior
- Under cabinet mounting
- State room
- Head

APPROVALS

- Conforms to IP40
- Marine Inside Type
- ABS

STANDARDS

- UL 1598A - Luminaires for Marine Vessels

TECHNICAL SPECIFICATIONS

HOUSING/SHADE

Type 5052H32 aluminum with an electrostatically applied white polyester powder coat finish. Minimum 90% reflectance.

END CAPS

White polycarbonate.

ENTRIES

One 1/2" and one 3/4" NPT knockouts.

LAMP HOLDER

Thermoplastic, Bi-Pin.

MOUNTING

Wall type, through luminaire interior, see DIMENSIONS for details.

CONVENIENCE OUTLET

125v 3 wire 2 pole "U" ground. Optional "No Convenience Outlet". Not provided on 220v models.

BALLAST

120v AC 60Hz, see SPECIAL OPTIONS for other options.

Lamp Wattage	Ballast/Socket Type	ANSI Lamp Code	Starting Temp	Maximum Ambient*
15	T8 Bi-Pin G13	F15T8	50°F/10°C	40°C

*Consult factory for optional higher ambient models.

ORDERING REFERENCES

PART NUMBER	DESCRIPTION	NO. LAMPS	WEIGHT LBS
F1061	Berth/Mirror Type	1	7.3

SPECIAL OPTIONS

- L* - Lamp
- LCO - Less Convenience Outlet
- T - Terminal Block
- 225** - 220v 50 Hz
- 226** - 220v 60 Hz

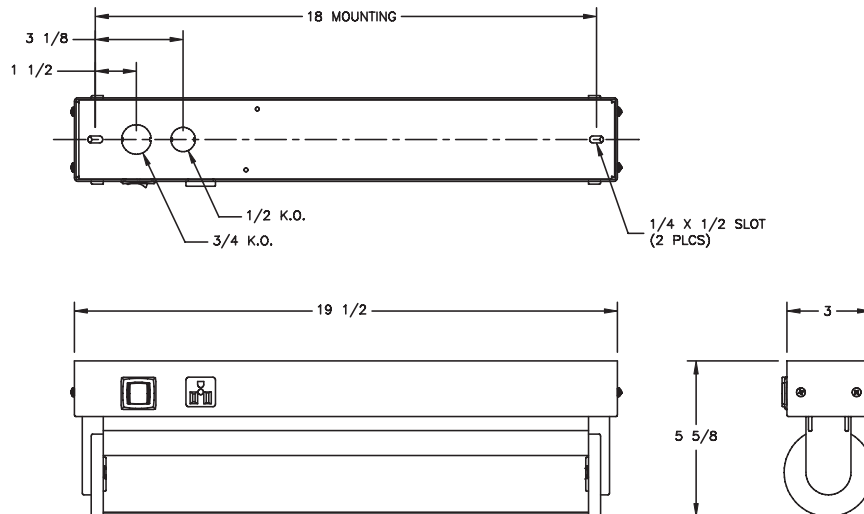
*Lamps are not included unless option "L" is specified.

**Not available with convenience outlet.

SPARE PARTS

Part No.	Description
FX5009	BALLAST
CX3001	CONVENIENCE OUTLET
FX4001	LAMP HOLDER
INX3379	DOUBLE POLE ROCKER SWITCH
FX3508	LAMP F15T8
FX4539W	SHADE

DIMENSIONS



Dimensions in inches