

Pro

ProBerth F1062/ml



FEATURES

- Compact design.
- Adjustable shade.
- Single pole switch provided.
- Lamp provided.

APPLICATIONS

- Berth and mirror
- Marine Interior
- Under cabinet mounting
- State room
- Head

APPROVALS

- Conforms to IP40
- Marine Inside Type
- ABS

STANDARDS

- UL 1598A - Luminaires for Marine Vessels

TECHNICAL SPECIFICATIONS

HOUSING/SHADE

Type 5052H32 aluminum with an electrostatically applied white polyester powder coat finish. Minimum 90% reflectance.

END CAPS

White polycarbonate.

ENTRIES

One 1/2" and one 3/4" NPT knockouts.

LAMP HOLDER

Polycarbonate, Mini Bi-Pin.

MOUNTING

Wall type, through luminaire interior, see DIMENSIONS for details.

CONVENIENCE OUTLET

Optional 125v 3 wire 2 pole "U" ground. Not available on 220v models.

SWITCH

Push type momentary contact. Optional double pole toggle.

BALLAST

120v AC 60Hz, See SPECIAL OPTIONS for other options.

Lamp Wattage	Ballast/Socket Type	ANSI Lamp Code	Starting Temp	Maximum Ambient*
8	T5 Mini Bi-Pin G5	F8T5	50°F/10°C	55°C

*Consult factory for optional higher ambient models.

ORDERING REFERENCES

PART NUMBER	DESCRIPTION	NO. LAMPS	WEIGHT LBS
F1062	Berth/Mirror Type	1	2.0

SPECIAL OPTIONS

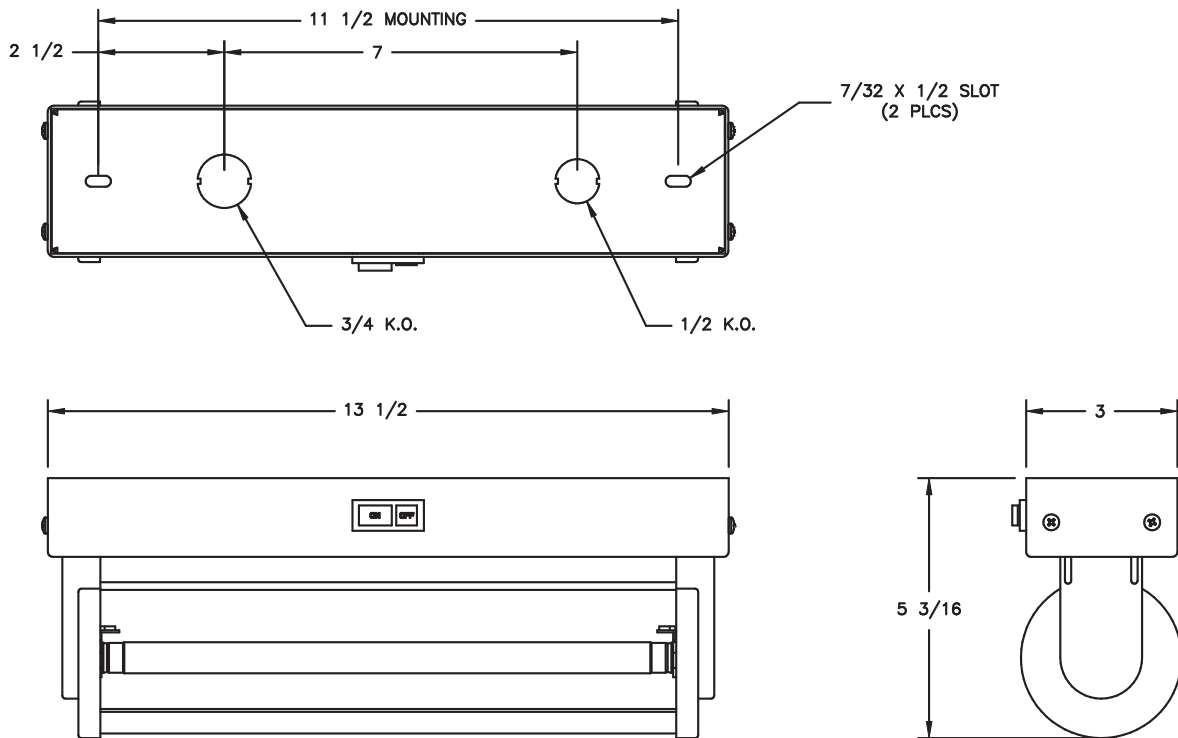
- CO - Convenience Outlet
- DS - Double Pole Toggle Switch
- 225* - 220v 50 Hz
- 226* - 220v 60 Hz

*Not available with convenience outlet.

SPARE PARTS

Part No.	Description
FX5012	BALLAST
FX3509	LAMP F8T5
FX4029	LAMP HOLDER
FX3029	PUSH TYPE SWITCH

DIMENSIONS



Dimensions in inches