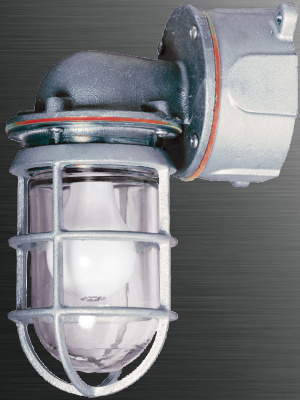


# Pro

## ProGuard 729/730/al



### FEATURES

- Available in 100w, 150w, and 300w incandescent or 18w, 26w and 32w compact fluorescent.
- High temperature silicone gaskets provide a watertight seal.
- Choice of wall or flush wall mount.
- Protective guard provided.
- A wide variety of globe materials and colors.

### APPLICATIONS

- Wall mount type
- Marine and watertight requirements
- Dusttight requirements
- Freezer and refrigeration
- Pharmaceutical & additives formulation & processing
- Waste water treatment plants
- Bridge & pier lighting

### APPROVALS

- Conforms to IP 66
- Marine Outside Type Saltwater
- ABS

### STANDARDS

- UL 1598A - Luminaires for Marine Vessels

### TECHNICAL SPECIFICATIONS

#### HOUSING

Cast copper free aluminum.

#### GUARD

Cast copper free aluminum.

#### HARDWARE

Stainless steel.

#### ENTRIES

Standard units undrilled. Up to 1" NPT four way available. See ENTRY OPTIONS for selections.

#### GASKETS

One piece silicone.

#### MOUNTING

Wall and Flush.

#### LAMP HOLDER

Medium base, high temperature PBT. Nickel plated copper screw shell. Shockproof or porcelain optional. Compact fluorescent polycarbonate.

#### GLOBE

Glass, tempered glass or polycarbonate.

#### LAMP TYPE

Incandescent or 4 Pin compact fluorescent. Lamp not provided.

#### VOLTAGE

Incandescent rated to 300v.  
Compact fluorescent rated to 120v 50/60Hz, optional 277v 50/60Hz.

#### TERMINAL BLOCK

Four pole or six pole optional for incandescent models only.

#### SWITCH

Double pole toggle switch with a watertight boot, optional.

## ORDERING REFERENCES

PART NUMBER	DESCRIPTION	LAMP MAX	WEIGHT LBS	BOX DEPTH
729A	Wall Mount	A-19 100w	3.2	2"
729A7	Wall Mount	A-21 150w	3.4	2"
F729A7-#	Wall Mount	CF	3.4	2"
730A	Wall Mount	PS-25 300w	4.4	2"
729AF	Flush Mount	A-19 100w	3.7	2 $\frac{3}{8}$ "
729AF7	Flush Mount	A-21 150w	4.1	2 $\frac{3}{8}$ "
F729AF7-#	Flush Mount	CF	4.1	2 $\frac{3}{8}$ "
730AF	Flush Mount	PS-25 300w	5.1	2 $\frac{3}{8}$ "

# Enter compact fluorescent (CF) wattage desired: 18, 26 or 32.

## SPECIAL OPTIONS

- K - Double Pole Toggle Switch (Not for flush mount)
- P\* - Porcelain Lamp Holder
- SP - Shockproof Lamp Holder
- T\* - Terminal Block (4 pole)
- T6\* - Terminal Block (6 pole)
- FST - Frosted Globe
- HR - Heat Resistant Clear Glass Globe
- PG\*\* - Polycarbonate Clear Globe (Guard not provided)
- RED - Red Globe
- BLU - Blue Globe
- GRN - Green Globe
- YEL - Yellow Globe
- 276 - 277v 60Hz (Compact fluorescent only)

\*Not available with compact fluorescent.

\*\*100w incandescent or compact fluorescent only.

## ENTRY OPTIONS

NPT Trade Size	Dead End	Thru Feed	90 Degree	X-Positions
1/2"	E1	C1	L1	X1
3/4"	E2	C2	L2	X2
1"	E3	C3	L3	X3

## SPARE PARTS

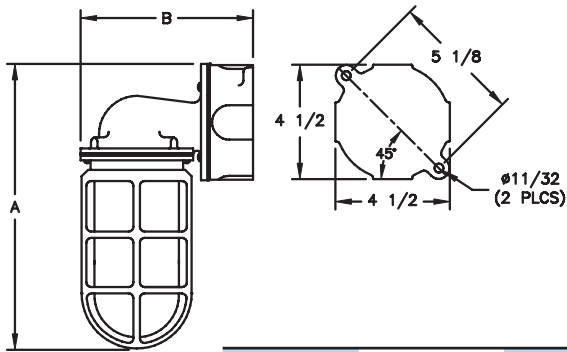
Part No.	Description		
FX5206	BALLAST, 120VAC 50/60Hz	GKT2002SIL	GLOBE GASKET, Globe 100w
FX5242	BALLAST, 277VAC 50/60Hz	GKT2002SIL	GLOBE GASKET, Globe 150w
INX3528	LAMP, 100w Incandescent	GKT1149SIL	GLOBE GASKET, Globe 300w
INX3543	LAMP, 150w Incandescent	GKT3000SIL	GLOBE GASKET, Junction Box
INX3559	LAMP, 300w Incandescent	INX1036A	GUARD, 100w 6"
FX3552	LAMP, 18w Compact Fluorescent	INX1037A	GUARD, 150w 7"
FX3553	LAMP, 26w Compact Fluorescent	INX1020A	GUARD, 300w 9"
FX3554	LAMP, 32w Compact Fluorescent	INX6037A	JUNCTION BOX, Wall Mount
INX4000	LAMP HOLDER, Incandescent, Standard PBT	INX6055A	JUNCTION BOX, Flush Mount
INX4000P	LAMP HOLDER, Incandescent, Porcelain	CX3070	TERMINAL BLOCK, 4 pole
INX4000SP	LAMP HOLDER, Incandescent, Shockproof	CX3076	TERMINAL BLOCK, 6 pole
FX4030	LAMP HOLDER, Compact Fluorescent, 18w	GKT8000	SWITCH BOOT
FX4034	LAMP HOLDER, Compact Fluorescent, 26w & 32w	INX3012	DOUBLE POLE TOGGLE SWITCH
INX2006*	GLASS GLOBE, 100w 6"		
INX2007*	GLASS GLOBE, 150w 7"		
INX2009*	GLASS GLOBE, 300w 9"		

\*Add one of the following suffix to the above part number to obtain the globe.

Clear Heat Resistant - HR Clear - CLR Green - GRN  
Frosted - FST Red - RED Yellow - YEL Blue - BLU

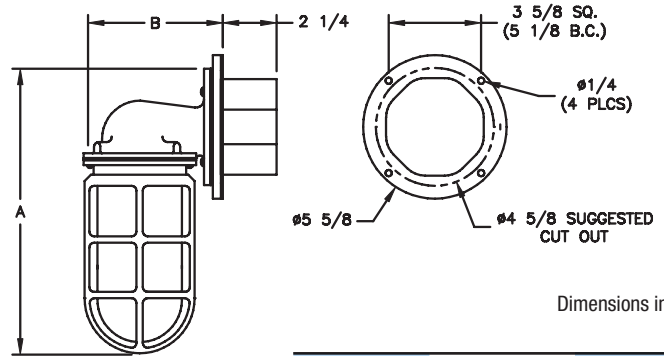
# ProGuard 729/730/al

## DIMENSIONS



729A & 730A

Part No.	Dim A	Dim B
729A	10 1/8"	7 1/8"
729A7	10 7/8"	7 1/8"
730A	13 1/2"	9 9/16"



729AF & 730AF

Part No.	Dim A	Dim B
729AF	10 1/8"	5 3/8"
729AF7	10 7/8"	5 3/8"
730AF	13 1/2"	7 13/16"

Dimensions in inches

NOTES