

1L EV Incandescent Luminaires

Factory Sealed

Cl. I, Div. 1 and 2, Groups A, B, C, D – Pendant Mount
 Cl. I, Div. 1 and 2, Groups B, C, D – Ceiling and Bracket Mount
 Wet Locations
 NEMA 3, 3R

Applications:

EV292 Series luminaires are used:

- To provide incandescent lighting in locations made hazardous due to the presence of hydrogen, gases or vapors of an equivalent hazard, such as manufactured gas
- Hydrogen areas of process industries, missile bases where hydrogen fuel is used and gas manufacturing plants
- In areas of lesser hazard than indicated above
- EVA292 pendant mount luminaire is also suitable for use in locations made hazardous due to the presence of acetylene

Features:

- Flametight threaded joints – no external seal needed
- Easy to assemble and relamp
- Shock absorbing receptacle
- Gasket seals out dirt and liquids
- Positive locking of globe holder
- Heat and impact resistant globe
- Inner reflector eliminates upward spill light
- Lightweight
- Corrosion resistant
- Dome and 30° angle reflectors available

Certifications and Compliances:

- NEC/CEC:
 - Class I, Divisions 1 and 2, Groups A, B, C, D – pendant mount
 - Class I, Divisions 1 and 2, Groups B, C, D – ceiling and bracket mount
- UL Standard: 844
- CSA Standard: C22.2 No. 137

Standard Materials:

- Globes – heat and impact resistant glass
- Luminaire and bracket arm – copper-free aluminum
- Reflectors – Krydon® fiberglass-reinforced polyester
- Back box – Feraloy® iron alloy

Standard Finishes:

- Aluminum – epoxy powder coat
- Krydon – high reflectance white
- Feraloy – electrogalvanized and aluminum acrylic paint

Size Ranges:

- 3/4" conduit hub

Capacity Ranges:

- 300 watt, PS-30 medium base lamps

Temperature Performance Data:

Style	Class I UL	Ambient Temp. °C	Supply Wire °C
Pendant	T3A	25 / 40	150°C
Ceiling	T3A	25 / 40	150°C
Bracket	T3A	25 / 40	150°C

Note: Photometric curves and data are the same as shown for EV Groups C, D series.



Pendant style with RD725 dome reflector

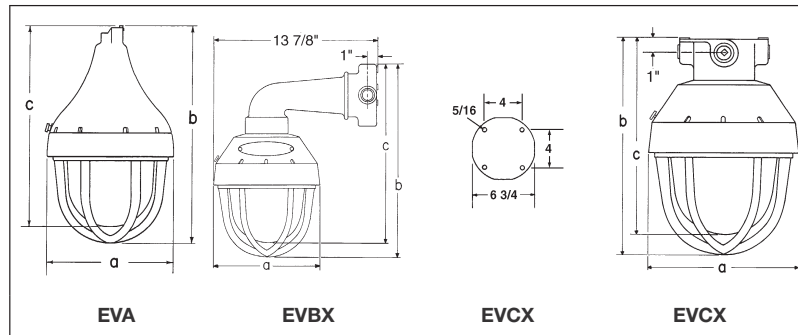
Pendant style with RA725 30° angle reflector

Pendant style without reflector

Ordering Information:

Style	Max. Lamp Size	Hub Size (In.)	Without Reflector Cat. #	Dome Reflector Cat. #	30° Angle Reflector Cat. #
Pendant	300 watt, PS-30 (medium base)	With Guard 3/4"	EVA292	RD725	RA725
Ceiling	300 watt, PS-30 (medium base)	With Guard 3/4"	EVCX292	RD725	RA725
Bracket	300 watt, PS-30 (medium base)	With Guard 3/4"	EVBX292	Not Applicable	

Dimensions In Inches:



	EVA	EVBX	EVCX	Reflector Type	Diameter
a	8 7/8"	8 7/8"	8 7/8"		
b	16 3/8"	18 1/8"	14 3/8"	Dome	16"
c	14 7/8"	16 5/8"	12 7/8"	30° Angle	16"

Crouse-Hinds
by **F.T.M.**