

ECOS Harsh/nm



Shown with optional stainless steel latches.

FEATURES

- Impact-resistant, fiberglass reinforced housing. Suitability -40°C to +65°C and UV stabilized.
- Polycarbonate injection molded lens.
- Up to three entries each end, suitable for dead-end, thru-feed or single ended "T" wiring.
- Available with Myers™ conduit hubs.
- LED charge status indicator (EM versions).
- Shock and vibration resistant engineered plastic lampholders.
- Lens hinged one side with plastic latches, three for 2 foot and five for 4 foot, hinge points for uniform gasket compression.
- Lens removable at 120°. Suitable for narrow-gap mounting between obstructions.
- Tool less entry, optional tooled entry to prevent tampering.
- Reflector hinged and retained for wiring access.
- Photometrical optimized reflector. Engineered high reflectance plastic; non-efficiency-robbing.
- Silicone gasket.
- Mounting flexibility with optional mounting kits: Ceiling, Wall, Eye-bolts and Pipe-Clamp, suitable for Stanchion mounting.

APPLICATIONS

- Mid & Low Bay
- Waste Water Treatment Plants
- Wet Environments
- Storage Areas
- Food & Beverage Processing Facilities

APPROVALS

- NEMA 4X
- IP 66
- Enclosed & Gasketed
- NSF (Pending)

STANDARDS

- UL 1598 - Luminaires
- UL 924 - Emergency Lighting Equipment
- cUL
- NSF/ANSI 2-2007 Splash Zone (Pending)
- Canadian Process Products Registrations C.R.C. c291 (Pending)

TECHNICAL SPECIFICATIONS

HOUSING

Fiberglass reinforced polyester.

LENS

Polycarbonate injection molded.

REFLECTOR

Engineered plastic designed for optimum reflectance.

GASKET

Silicone.

MOUNTING

Four mounting styles: ceiling bracket, wall mount cornice, pipe clamp and eye-bolts.

LATCHES

Engineered plastic, optional stainless steel.

LAMP HOLDERS

Polycarbonate.

ENTRIES

Up to three entries each end, suitable for dead-end, thru-feed or single ended "T" wiring.

LAMP TYPES

See ORDERING REFERENCES. Lamps not provided.

BALLAST

120 to 277 volt 50/60 Hz electronic.

EMERGENCY BATTERY BACKUP BALLAST

Optional, self contained 90 minute minimum for all lamp types. 120 minutes minimum for F32T8 one lamp. Starting temperature 32°F/0°C.

ORDERING REFERENCES



1. Series

EHAR - Ecos Harsh Environment

2. Length (nominal)

2 - 2 Foot
4 - 4 foot

3. Number of Lamps

1 - 1 lamp
2 - 2 lamps
3 - 3 lamps*

4. Lamp Types

1 - 2 ft 17 or 4 ft 32 watt T8 bi-pin
3 - 2 ft 18 or 4 ft 36 watt T8 bi-pin
5 - 2 ft 24 or 4 ft 54 watt T5HO bi-pin
6 - 2 ft 14 or 4 ft 28 watt T5 bi-pin

5. Voltage / Frequency

7 - 120 to 277 VAC 50/60 Hz
6 - 347 VAC 60 Hz (consult factory for application)**

6. Mounting Style

1 - Ceiling bracket, stainless steel
2 - Wall Mount Cornice bracket
3 - Pipe Clamp bracket,
4 - Cable Suspension Eye-Bolts

7. Entry

712 - Entry Hole for 3/4" NPT fitting 1 at each end
722 - Entry Hole for 3/4" NPT fitting 2 at each end
733 - Entry Hole for 3/4" NPT fitting 3 at each end

012 - Myers™ Conduit hubs- 3/4" NPT 1 entry each end
022 - Myers™ Conduit hubs- 3/4" NPT 2 entries each end

112 - Myers™ Conduit hubs Stainless Steel 3/4" NPT 1 entry each end
122 - Myers™ Conduit hubs Stainless Steel 3/4" NPT 2 entries each end

8. Options

EM2 - Emergency Ballast, 1 lamp,
EM3 - Emergency Ballast, high lumen, 1 lamp
EMT2 - Emergency Ballast, 1 lamp, 277v max, test switch
EMT3 - Emergency Ballast, high lumen 1 lamp, 277v max, test switch
L*** - Lamps
S - Stainless Steel Latch
A - Aluminum Latch
T - Multi point terminal block
T2 - Multi point terminal blocks, both ends

Notes:

*Emergency not available with 2 foot 3 lamp.

**Emergency not available for 2 foot in 347V nor 4 foot with wall bracket.

***Lamps are not included unless option "L" is specified.

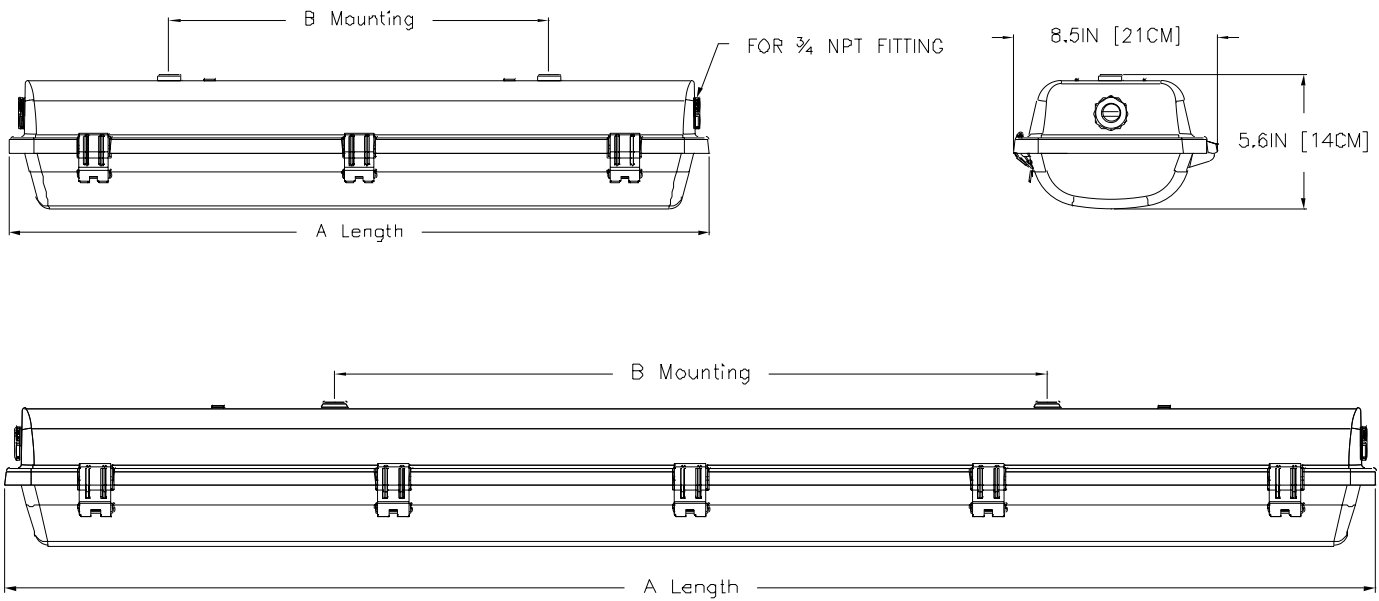
SPARE PARTS

Part No.	Description
FX5350	BALLAST 120-277V AC 50/60HZ, 1 & 2 X 14W, F14T5
FX5350	BALLAST 120-277V AC 50/60HZ, 1 & 2 X 28W, F28T5
FX5305	BALLAST 120-277V AC 50/60HZ, 1 & 2 X 54W, F54T5HO
FX5307	BALLAST 120-277V AC 50/60HZ, 1 & 2 X 24W, F24T5HO
FX5352	BALLAST 120-277V AC 50/60HZ, 1 & 2 X 18W, F18T8
FX5353	BALLAST 120-277V AC 50/60HZ, 1 & 2 X 36W, F36T8
FX5340	BALLAST 120-277V AC 50/60HZ, 1 X 17W, F17T8
FX5340	BALLAST 120-277V AC 50/60HZ, 2 X 18W, F18T8
FX5340	BALLAST 120-277V AC 50/60HZ, 1 & 2 X 32W, F32T8
FX5095U	EMERGENCY BALLAST 120V-277V, EM3, T8 LAMPS
FX5135U	EMERGENCY BALLAST 120V-277V, EM2, T8 LAMPS
FX3573	LAMP 14W F14T5
FX3574	LAMP 28W F28T5

Part No.	Description
FX3568	LAMP 24W F24T5HO
FX3567	LAMP 54W F54T5HO
FX3528	LAMP 17W F17T8
FX3527	LAMP 32W F32T8
FX3562	LAMP 18W F18T8
FX3557	LAMP 36W F36T8
FX4064P	T5 LAMPHOLDER
FX4064	STATIONARY T5 LAMPHOLDER
FX4060IS	T8 LAMPHOLDER
FX8015	LATCH
FX2252	2 FOOT LENS
FX2254	4 FOOT LENS

DIMENSIONS

Nominal Length	Dimensions in Inches / Centimeters		Carton L x W x D Inches	Nominal Weight	
	A	B		Lbs	Kg
2 Foot	29 / 73.6	15.7 / 40.0	8 ¾ x 6 ¼ x 31 ½	9	4.0
4 Foot	53 / 134.6	27.6 / 70.0	8 ½ x 6 x 56 ½	17	8.0

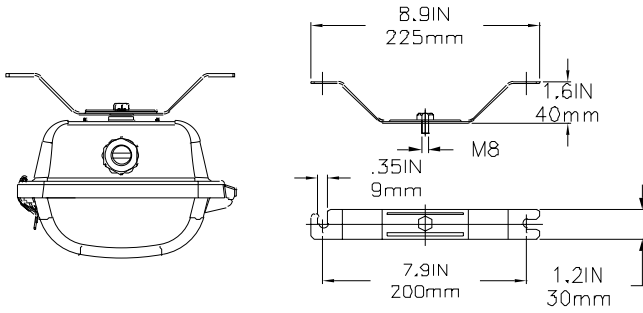


AMBIENT TEMPERATURE CHART

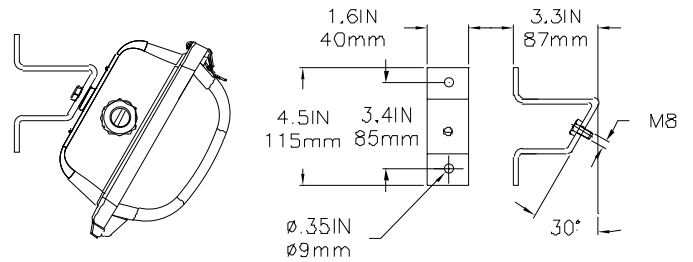
Model	Max Marked Elevated Ambient, °C			
	40 °C	50 °C	55 °C	65 °C
2 ft, 2 lamps, T5 14W				X
2 ft, 2 lamps, T5 14W with Emergency Ballast		X		
2 ft, 3 lamps, T5 14W				X
2 ft, 2 lamps, T5HO 24W			X	
2 ft, 2 lamps, T5HO 24W with Emergency Ballast		X		
2 ft, 3 lamps, T5HO 24W			X	
2 ft, 2 lamps, T8 17W				X
2 ft, 2 lamps, T8 17W with Emergency Ballast		X		
2 ft, 3 lamps, T8 17W				X
2 ft, 2 lamps, T8 18W				X
2 ft, 3 lamps, T8 18W			X	

Model	Max Marked Elevated Ambient, °C			
	40 °C	50 °C	55 °C	65 °C
4 ft, 2 lamps, T5 28W				X
4 ft, 3 lamps, T5 28W			X	
4 ft, 3 lamps, T5 28W with Emergency Ballast		X		
4 ft, 2 lamps, T5HO 54W			X	
4 ft, 3 lamps, T5HO 54W	X			
4 ft, 3 lamps, T5HO 54W with Emergency Ballast	X			
4 ft, 2 lamps, T8 32W				X
4 ft, 3 lamps, T8 32W			X	
4 ft, 3 lamps, T8 32W with Emergency Ballast	X			
4 ft, 2 lamps, T8 36W				X
4 ft, 3 lamps, T8 36W			X	

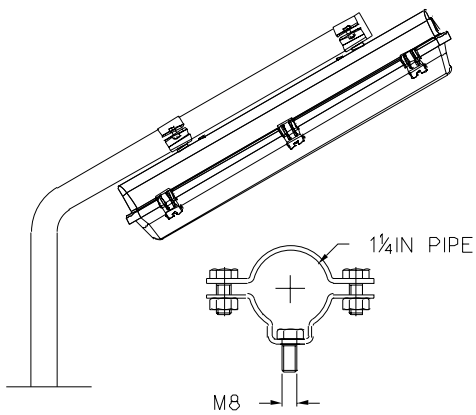
MOUNTING OPTIONS



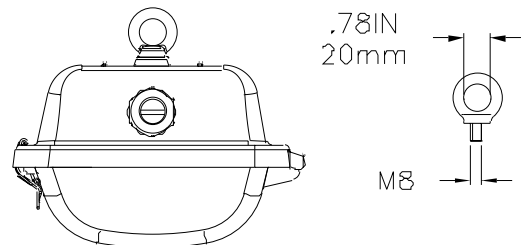
Ceiling Mount
EC01091MTK



Wall Mount
EC0WMKIT



Pipe Mount
ECOPMKIT



Cable Mount (Eyebolt)
ECOEBKIT