

Pro

ProSurf

Meridian FLC/ml



FEATURES

- Ultra low profile design.
- Impact resistant extruded acrylic lens.
- Multi voltage electronic ballast resistant to brownouts or voltage and frequency fluctuations.
- Wrap around lens design provides the proper balance of side and direct lighting.
- Filter tube options allow colored lamps to operate on a separate circuit for darken ship mode.
- Two lamp models may be provided with two ballasts for independent switching or color effects.
- Neoprene gasket resists petroleum.
- Twist lock lamp holders.
- Tool-less entry for easy relamping.
- Optional self contained emergency battery backup ballasts with test switch.
- Optional long life T5 lamps available upon request (consult factory).

APPLICATIONS

- Surface mount low profile
- Marine interior
- Pilot house
- State room
- Office
- Corridor/passageway
- Galley

APPROVALS

- Conforms to IP52
- Marine Inside Drip Proof Type
- ABS

STANDARDS

- UL 1598A - Luminaires for Marine Vessels
- UL 924 - Emergency Lighting Equipment

TECHNICAL SPECIFICATIONS

HOUSING AND END CAP

Type 5052H32 copper free aluminum with an electrostatically applied polyester powder coat finish.

LENS

Extruded DR acrylic.

REFLECTOR

Type 5052H32 aluminum with an electrostatically applied white polyester powder coat finish. Minimum 90% reflectance.

GUARD

Optional, stainless steel wire.

ENTRIES

Blank unless otherwise specified.

GASKETS

Neoprene sponge.

LAMP HOLDER

Polycarbonate, twist lock for Bi-Pin.

MOUNTING

Ceiling type, through external mounting legs. See drawing for details.

BALLAST

120 to 277 volt 50/60 Hz electronic, except F20 & F40 T12 Bi-Pin which are 120V 60Hz.

Lamp Wattage	Ballast/Socket Type	ANSI Lamp Code	Starting Temp	Maximum Ambient*	Supply Wire
17	T8 Bi-Pin G13	F17-T8	0°F / -18°C	55°C	90°C
32	T8 Bi-Pin G13	F32-T8	-20°F / -29°C	55°C	90°C
14/28	T5 Mini Bi-Pin G5	F14/F28-T5	0°F / -18°C	55°C	90°C
24/54	T5HO Mini Bi-Pin G5	F24/F54-T5HO	-20°F / -29°C	55°C	90°C

*Consult factory for optional higher ambient models.

EMERGENCY BATTERY BACKUP BALLAST

Optional, self contained 90 minute minimum for all lamp types. 120 minutes minimum for F32T8 one lamp. Starting temperature 32°F/0°C.

ORDERING REFERENCES

PART NUMBER	NOMINAL LENGTH	LAMP TYPE	NO. LAMPS/ NOMINAL LAMP WATTAGE	WEIGHT LBS
FLC214	2 FT	F14T5	2 x 14w	6.0
FLC217	2 FT	F17T8	2 x 17w	6.0
FLC220	2 FT	F20T12	2 x 20w	7.0
FLC224	2 FT	F24T5HO	2 x 24w	6.0
FLC228	4 FT	F28T5	2 x 28w	9.5
FLC232	4 FT	F32T8	2 x 32w	9.5
FLC240	4 FT	F40T12ES	2 x 34w	10.5
FLC254	4 FT	F54T5HO	2 x 54w	9.5

SPECIAL OPTIONS

- EMT2* - Emergency Battery Backup Ballast, 1 lamp, 277v max, test switch
- EMT3* - Emergency Battery Backup Ballast, high lumen, 1 lamp, 277v max, test switch
- L** - Lamps
- LL** - Long Life Lamps (F54T5HO only)
- E - Frosted White Lens
- 225 - 220v 50Hz (T12 Bi-Pin only)
- 226 - 220v 60Hz (T12 Bi-Pin only)
- 276 - 277v 60Hz (T12 Bi-Pin only)
- GRD - Guard
- DIM - Dimming Ballast (not available for F20T12)
- RV-1*** - Red Filter Tube with separate ballast (1 Lamp)
- RV*** - Red Filter Tube (All lamps)
- BV-1*** - Blue Filter Tube with separate ballast (1 Lamp)
- BV*** - Blue Filter Tube (All Lamps)
- YV-1*** - Yellow Filter Tube with separate ballast (1 Lamp)
- YV*** - Yellow Filter Tube (All Lamps)

*For T5 & T5HO, EM Ballast is fixed voltage, 120 or 277v, 50/60Hz.

**Lamps are not included unless option "L" or "LL" is specified.

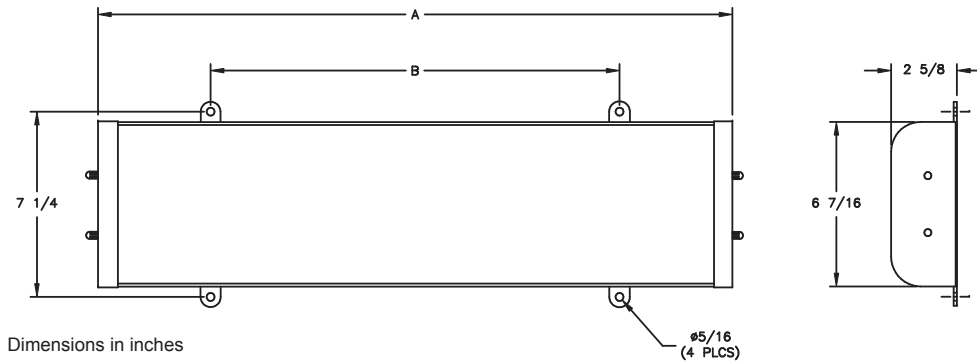
***Not available in 24w or 54w.

ProSurf Meridian FLC/ml

SPARE PARTS

Part No.	Description	Part No.	Description
FX5350	BALLAST 120-277V AC 50/60HZ, 1 x 14, F14T5	FX3528	LAMP, 17w, F17T8
FX5174	BALLAST 120-277V AC 50/60HZ, 1 x 17, F17T8	FX3527	LAMP, 32w, F32T8
FX5307	BALLAST 120-277V AC 50/60HZ, 1 x 24, F24T5HO	FX3506	LAMP, 20w, F20T12
FX5350	BALLAST 120-277V AC 50/60HZ, 1 x 28, F28T5	FX3504ES	LAMP, 34w, F40T12ES
FX5221	BALLAST 120-277V AC 50/60HZ, 1 x 32, F32T8	FX2016	LENS, 2ft., Clear
FX5305	BALLAST 120-277V AC 50/60HZ, 1 x 54, F54T5HO	FX2018	LENS, 2ft., White
FX5350	BALLAST 120-277V AC 50/60HZ, 2 x 14, F14T5	FX2017	LENS, 4ft., Clear
FX5340	BALLAST 120-277V AC 50/60HZ, 2 x 17, F17T8	FX2019	LENS, 4ft., White
FX5307	BALLAST 120-277V AC 50/60HZ, 2 x 24, F24T5HO	FX4032S	LAMP HOLDER, Spring loaded (17/20/32/40w)
FX5350	BALLAST 120-277V AC 50/60HZ, 2 x 28, F28T5	FX4036	LAMP HOLDER, Spring loaded Set of 2 (17/20/32/40w)
FX5340	BALLAST 120-277V AC 50/60HZ, 2 x 32, F32T8	FX4067	LAMP HOLDER, Set of 2 (14/24/28/54w)
FX5305	BALLAST 120-277V AC 50/60HZ, 2 x 54, F54T5HO	FX1008	GUARDS, 2ft. models
FX5009	BALLAST 120V 60HZ, 1 x 20, F20T12	FX1007	GUARDS, 4ft. models
FX5326	BALLAST 120V 60HZ, 1 x 34, F34T12	FX6819A	END CAP
FX5326	BALLAST 120V 60HZ, 1 x 40, F40T12	GKT6027	GASKET, End Cap
FX5001	BALLAST 120V 60HZ, 2 x 20, F20T12	GKT6050-24	GASKET, Lens - 2 ft models (2 required)
FX5004	BALLAST 120V 60HZ, 2 x 34, F34T12	GKT6050-48	GASKET, Lens - 4 ft models (2 required)
FX5004	BALLAST 120V 60HZ, 2X40, F40T12	FX2193RED	FILTER TUBE, Red 17w T8
FX3573	LAMP, 14w, F14T5	FX2192RED	FILTER TUBE, Red 20w T12
FX3574	LAMP, 28w, F28T5	FX2195RED	FILTER TUBE, Red 32w T8
FX3568	LAMP, 24w, F24T5HO	FX2194RED	FILTER TUBE, Red 34w T12
FX3567	LAMP, 54w, F54T5HO	FX2192BLU	FILTER TUBE, Blue 20w T12
FX3577	LAMP, 54w, Long Life, F54T5HO		

DIMENSIONS



	A	B
17W, 20w, 24w	24¾"	16"
32w, 34w, 54w	48¾"	24"

NOTES