

The Vaporgard™ Pro P2L Family

P2LC – Cool White Color Temperature

The P2LC Luminaire provides uniform crisp, white light and is suitable for lower mounting heights, confined spaces, tunnels or utility rooms. Using four high power, high brightness LED arrays, this fixture can deliver similar light levels to 150 watt incandescent.

P2LW – Warm White Color Temperature

The P2LW Luminaire provides similar benefits as the cool white version, but with a color rendering more consistent with a warm incandescent or HPS lamp source.

Available with DC Power Supply

For applications with DC power requirements such as solar, battery or UPS. The DC power supply is suitable for 12 VDC through 24 VDC.

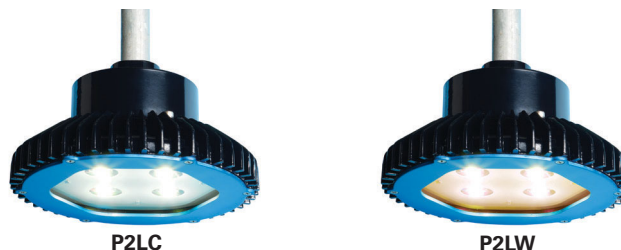
Model	Nominal Lumens	Watts	Equivalent Incandescent Luminaire	Typical Energy Savings/Lifetime
P2LC/UNV1	1,633	22	150W-200W	85%
P2LW/UNV1	1,400	22		
P2LC/DC1	1,633	22		
P2LW/DC1	1,400	22		

Applications:

- For areas with mounting heights up to 60 feet
- Heavy industrial, mine site processing areas, platforms, loading docks, tunnels, outdoor wall and stanchion mounted general area lighting, and areas requiring frequent on-and-off of lights
- Locations requiring continuous and consistent light levels in extreme ambient temperatures
- Where extremely corrosive, wet, dusty, hot and/or cold conditions exist
- Type 4X, marine, wet locations and hose down environments
- Ordinary non-hazardous locations

Features:

- Instant illumination and restrike
- Cold temperature operation; no warm-up time
- Multi-die LED arrays improve reliability
- Lightweight, low profile and cool surface temperatures
- Driver with internal fusing for branch circuit protection
- 22 watt LED system can save up to 85% in energy costs
- 50,000 hours rated life can provide >10 years of maintenance-free lighting
- No mercury or hazardous chemicals – eliminates disposal concerns
- Mounts to existing Vaporgard mounting modules
- Shock- and vibration-resistant
- Teflon® coated lens (suffix S896) option for increased safety in food processing facilities
- Low starting temperature: -30°C
- Operating ambient: -30°C to 55°C (high temperature option)



Certifications and Compliances:

- DesignLights Consortium® Qualified (some models are not DLC qualified)^A

NEC/CEC:

- Wet locations, Type 4X, IP66

UL Standards:

- UL1598 – Luminaires
- UL1598A – Marine

CSA Standard:

- cUL Listed to CSA Standard CSA C22.2 No. 250

IEC Standard:

- CE

Standard Materials:

- Body and mounting modules – copper-free aluminum with Corro-free™ epoxy powder coat
- Lens bezel – aluminum with anodized finish
- Lens – heat- and impact-resistant glass
- Gaskets – silicone
- External hardware – stainless steel
- Factory sealed, no external seals required

Photometrics:

- Complete photometrics can be found at www.crouse-hinds.com/photometrics

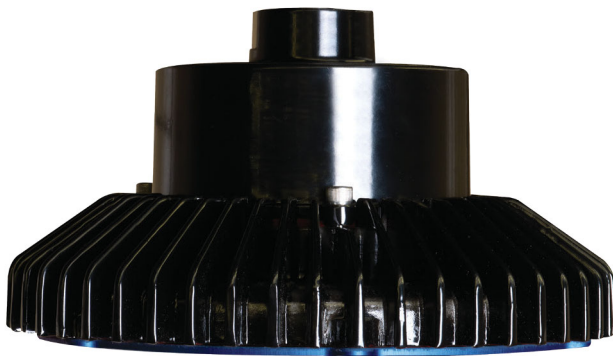
Electrical Ratings:

	P2LC/UNV1	P2LW/UNV1	P2LC/DC1	P2LW/DC1
Voltage	90-264 VAC, 277 VAC	90-264 VAC, 277 VAC	12-24 VDC	12-24 VDC
Input Power (Watts)	22	22	22	22
Input Current	0.23/0.10	0.23/0.10	2.10/1.00	2.10/1.00
Power Factor	>0.9	>0.9	N/A	N/A
THD (I) (%)	<20%	<20%	N/A	N/A
Maintained Lumens	1,633	1,400	1,633	1,400
Color Temperature	5600K	3000K	5600K	3000K

Note: 5 year limited warranty. Refer to page 2 of the most current authorized distributor price book for Eaton's Crouse-Hinds Division's standard Terms and Conditions.

^A Approved models include P2LC/UNV1. Refer to www.designlights.org Qualified Products List under Family Models for full listing details. Not all models are approved for all application categories.

Teflon® is a registered trademark of E.I. duPont Co.



EASY INSTALLATION AND REPLACEMENT

- Contractor-friendly design is ideal for both retrofit and new construction applications
- Installed using the same wall and ceiling mounts as incandescent Vaporgard fixtures

RUGGED HEAT SINK

- Heat sink designed to perform in high ambient temperatures up to +55°C and as low as -30°C
- Thick walled castings make for a tough, rugged housing that keeps the internal driver and LED temperature down

LOW PROFILE DESIGN

- Unique domeless, low profile design for low mounting heights and confined spaces where incandescent and HID based luminaires are too large to fit in the mechanical envelope required

MULTIPLE LENS OPTIONS

- Tempered clear glass lens standard
- Diffused glass lens and Teflon® coated lens options available

MODULAR DESIGN

- Compact and modular design allows for easy component replacement and future upgrades



Vaporgard™ Pro P2L Series LED Luminaires

UL/cUL Listed
Wet Locations
Type 4X, IP66

2L

2L

LED Driver:

- Constant current regulated power supply
- 90-264 VAC, 277 VAC, 50/60 Hz
- Internal fusing
- Active power factor correction, >0.9
- Low harmonic distortion, <20%
- Low in-rush current, <20 amps
- EMC compliant to 47CFR, Part 2, Part 15
- 12-24 VDC option available

LED System:

- Four high brightness LED arrays
- Cool white (5600K), CRI 65
- Warm white (3000K), CRI 82
- 70% lumen maintenance (L70) at 50K hours
- Array complies with requirements of LM80

Weights:

Mounting Style	Lbs.	Kg.
Pendant Mount	5.70	2.59
Ceiling Mount	6.80	3.08
Wall Mount	7.90	3.58
Stanchion Mount	6.50	2.95

Options:

Description	Suffix
• Frosted lens.....	S891 <i>Available with NEC version only</i>
• Teflon® coated lens.....	S896 <i>Available with NEC version only</i>
• High temperature option (up to 55°C ambient temperature)....	S902
• Brazil (CEPEL certification)	BR <i>Available with IEC version only</i>

Ordering Information – NEC/CEC:

Mounting Style	Cool White		Warm White	
	AC Drive	DC Drive	AC Drive	DC Drive
1/2" Pendant [Ⓟ]	P2LCA1/UNV1	P2LCA1/DC1	P2LWA1/UNV1	P2LWA1/DC1
3/4" Pendant [Ⓟ]	P2LCA2/UNV1	P2LCA2/DC1	P2LWA2/UNV1	P2LWA2/DC1
1" Pendant [Ⓟ]	P2LCA3/UNV1	P2LCA3/DC1	P2LWA3/UNV1	P2LWA3/DC1
1/2" Wall with Junction Box	P2LCHBF1/UNV1	P2LCHBF1/DC1	P2LWHBF1/UNV1	P2LWHBF1/DC1
3/4" Wall with Junction Box	P2LCHBF2/UNV1	P2LCHBF2/DC1	P2LWHBF2/UNV1	P2LWHBF2/DC1
1/2" Ceiling	P2LCHF1/UNV1	P2LCHF1/DC1	P2LWHF1/UNV1	P2LWHF1/DC1
3/4" Ceiling	P2LCHF2/UNV1	P2LCHF2/DC1	P2LWHF2/UNV1	P2LWHF2/DC1
1/2" VXT Wall	P2LCHT1/UNV1	P2LCHT1/DC1	P2LWHT1/UNV1	P2LWHT1/DC1
3/4" VXT Wall	P2LCHT2/UNV1	P2LCHT2/DC1	P2LWHT2/UNV1	P2LWHT2/DC1
1/2" VXW Wall [Ⓟ]	P2LCHW1/UNV1	P2LCHW1/DC1	P2LWHW1/UNV1	P2LWHW1/DC1
3/4" VXW Wall [Ⓟ]	P2LCHW2/UNV1	P2LCHW2/DC1	P2LWHW2/UNV1	P2LWHW2/DC1
1 1/4" Stanchion [Ⓟ]	P2LCHJ4/UNV1	P2LCHJ4/DC1	P2LWHJ4/UNV1	P2LWHJ4/DC1
Adapter Only [Ⓟ]	P2LCHR/UNV1	P2LCHR/DC1	P2LWHR/UNV1	P2LWHR/DC1

Ordering Information – IECEx/ATEX:

Mounting Style	Cool White AC Drive	Warm White AC Drive
1/2" Pendant	NP2LCA1/UNV1	NP2LWA1/UNV1
3/4" Pendant	NP2LCA2/UNV1	NP2LWA2/UNV1
1" Pendant	NP2LCA3/UNV1	NP2LWA3/UNV1
1/2" Wall with Junction Box	NP2LCHBF1/UNV1	NP2LWHBF1/UNV1
3/4" Wall with Junction Box	NP2LCHBF2/UNV1	NP2LWHBF2/UNV1
1/2" Ceiling	NP2LCHF1/UNV1	NP2LWHF1/UNV1
3/4" Ceiling	NP2LCHF2/UNV1	NP2LWHF2/UNV1
1/2" Wall	NP2LCHT1/UNV1	NP2LWHT1/UNV1
3/4" Wall	NP2LCHT2/UNV1	NP2LWHT2/UNV1
1 1/4" Stanchion	NP2LCHJ4/UNV1	NP2LWHJ4/UNV1

[Ⓟ] For use in Class I, Division 2 or Class II, Division 1, Groups F, G. For Class II, you must order complete catalog number (not available for purchase in components).

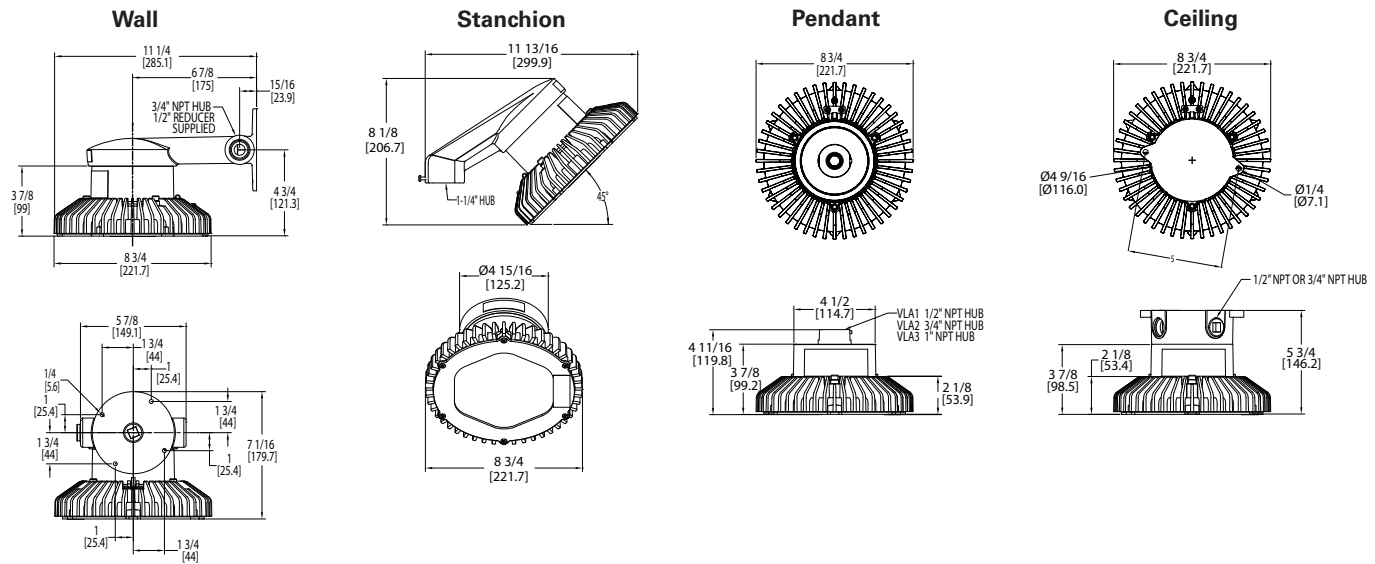
[Ⓞ] For use when wall mount or ceiling mount box is already installed.

Vaporgard™ Pro P2L Series LED Luminaires

UL/cUL Listed
Wet Locations
Type 4X, IP66

2L

Dimensions:



Family Tree:

