

EGL Static Grounding Indicator

With Automated Pump Control and Static Ground Verification System

Cl. I, Div. 1 & 2, Groups B, C, D
 Cl. I, Zone 1 & 2 IIB + H₂
 Cl. II, Div. 1, Groups E, F, G
 Cl. II, Div. 2, Groups F, G
 Cl. III

UL/cUL Listed
 NEMA 3, 4X, 7BCD, 9FG, 12
 Explosionproof
 Dust-Ignitionproof
 Raintight / Wet Locations

5C

Applications:

EGL Static Grounding Indicator is the ideal product for safe loading/unloading of ethanol, biofuel, petroleum, chemicals, plastics and other combustible materials. The EGL is mounted adjacent to loading/unloading areas and connected to transportation tank vehicles, railcars, drums or other portable containers to prevent explosions due to static discharge during product transfer by providing:

- A ground path for static build-up
- Automatic pump shutdown when static grounding circuit is broken
- Visual indication of safe, static grounding before, during and after loading and unloading operations

Features and Benefits:

- Static ground verification system provides ground path for static build-up to ensure safe product transfer
- Integrated control relay allows for safe control of electrically operated pumps or valves, and for energizing remote indicators
- Stainless steel clamp for grounding connection provides industrial durability, corrosion resistance, and increased product lifetime
- Interior and exterior epoxy powdered paint finish provides superior corrosion resistance inside and out
- LED pilot lights provide long-lasting visual identification of status of ground connection
- ECD Type 4X drain protects interior equipment from environmental moisture and condensation, rain water, and hose-down applications
- NEMA 4X compact, hose-tight, and corrosion-resistant enclosure offers years of service in harsh industrial environments
- 25 ft. safety fluorescent yellow cord is easily identifiable to ensure safety and reduce tripping hazard
- Neoprene cover gasket provides a watertight seal to meet UL Type 4 (NEMA 4) requirements
- Stainless steel hinges are corrosion resistant while providing safe and easy access to interior of enclosure
- Waterguard™ desiccant packet absorbs and removes water/moisture and protects the enclosed equipment when not energized
- Adjustable mounting feet provide ease of mounting during installation

Certifications & Compliances:

- Class I, Divisions 1 & 2, Groups B, C, D
- Class II, Division 1, Groups E, F, G
- Class II, Division 2, Groups F, G
- Class III
- Class I, Zone 1&2 IIB + H₂
- UL/cUL Listed
- IP 65
- NEMA 3, 4X, 7BCD, 9FG, 12

Standard Materials:

- Enclosure: Copper-free aluminum with interior and exterior epoxy powder coat
- Clamp: Stainless steel
- Clamp Grips: Polyvinylchloride dipped
- Gasket: Neoprene

Electrical Rating Ranges:

- Power consumption: 9.8VA
- 120-volt AC supply
- Control relay interlocking contact: 15A at 277VAC; 10A at 600VAC
- Dual-tapped 240 and 480 VAC Step Down Transformer available
- Provides 2k ohms or less switching impedance
- 50/60 Hz

Crouse-Hinds

by **Eaton**



Ordering Information:

Description	Catalog Number
Indicator with two pilot lights*	EGL210 J1 J3

*Includes one red and one green pilot light.

Options:

Description	Suffix
Internal space heaters to limit condensation build-up	R11
Transformer suitable for both 220/240VAC or 440/480VAC applications	S883
50 foot cord	50FC

Options:

Replacement Parts:

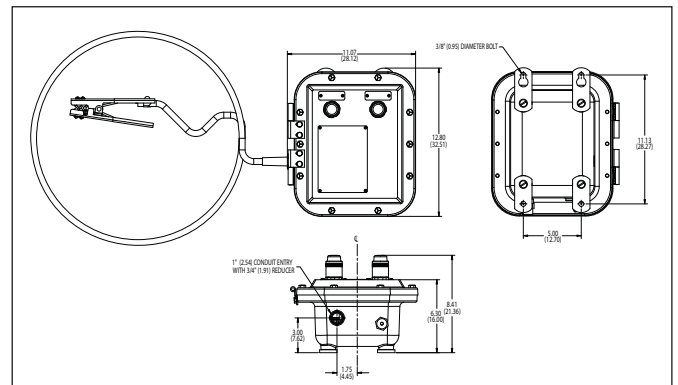
Ground clamp	EGL-K1
Ground clamp assembly (includes 25 ft. cord, connector and clamp)	EGL:20109-B
EGL210 universal interior replacement kit	EGL210-R1
Pilot lights (Red)	EMP009-J1-LED
Pilot lights (Green)	EMP009-J3-LED
Mounting feet	EJB-KIT5
Transformer (220/240VAC; 440/480VAC)	EGL S883 KIT
Space heater	EGL R11 KIT
Pilot light plug kit	EGL PLUG KIT

Weight & Dimensions:

EGL Assembly:

Weight = 32 lbs (14.5 kg)

Dimensions = inches (centimeters)



5C