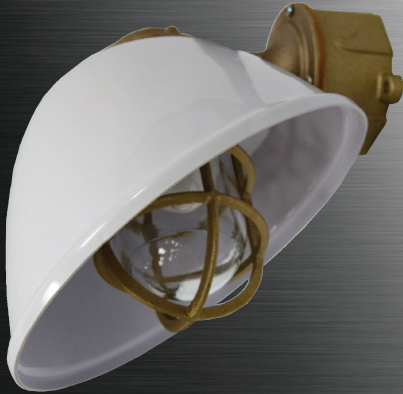


Pro

ProGuard 1729/br



FEATURES

- Available in 100w and 150w incandescent or 18w, 26w and 32w compact fluorescent.
- High temperature silicone gaskets provide a watertight seal.
- Angle dome reflector can be rotated and secured in any orientation.
- Protective guard provided.
- A wide variety of globe materials and colors.

APPLICATIONS

- Wall mount type
- Marine and watertight requirements
- Dusttight requirements
- Military ships
- Coast guard rescue vessels
- Bridge & pier lighting

APPROVALS

- Conforms to IP 66
- Marine Outside Type Saltwater
- ABS

STANDARDS

- UL 1598A - Luminaires for Marine Vessels

TECHNICAL SPECIFICATIONS

HOUSING

Cast marine brass.

GUARD

Cast marine brass.

REFLECTOR

30° angled Acrylonitrile Butadiene Styrene (ABS), gloss white.

HARDWARE

Stainless steel.

ENTRIES

Standard units undrilled. Up to 1" NPT four way available. See ENTRY OPTIONS for selections.

GASKETS

One piece silicone.

MOUNTING

Wall type.

LAMP HOLDER

Medium base, high temperature PBT. Nickel plated copper screw shell. Porcelain or shockproof optional. Compact fluorescent polycarbonate.

GLOBE

Glass, tempered glass or polycarbonate.

LAMP TYPE

Incandescent or 4-pin compact fluorescent. Lamp not provided.

VOLTAGE

Incandescent rated to 300v.

Compact fluorescent rated to 120v 50/60Hz, optional 277v 50/60Hz.

TERMINAL BLOCK

Four pole or six pole optional for incandescent only.

SWITCH

Double pole toggle switch with a watertight boot, optional.

ORDERING REFERENCES

PART NUMBER	DESCRIPTION	LAMP MAX	WEIGHT LBS	BOX DEPTH
1729BM	Wall Mount	A-19 100w	11.0	2"
1729BM7	Wall Mount	A-21 150w	11.0	2"
F1729BM7-#	Wall Mount	CF	11.0	2"

Enter compact fluorescent (CF) wattage desired: 18, 26 or 32.

SPECIAL OPTIONS

K	- Double Pole Toggle Switch
P*	- Porcelain Lamp Holder
SP	- Shockproof Lamp Holder
T*	- Terminal Block (4 pole)
T6*	- Terminal Block (6 pole)
FST	- Frosted Globe
HR	- Heat Resistant Clear Glass Globe
PG**	- Polycarbonate Clear Globe (Guard not provided)
RED	- Red Globe
BLU	- Blue Globe
GRN	- Green Globe
YEL	- Yellow Globe
-276	- 277v AC 60Hz (Compact fluorescent only)

*Not available with compact fluorescent.

**100w incandescent or compact fluorescent only.

ENTRY OPTIONS

NPT Trade Size	Dead End	Thru Feed	90 Degree	X-Positions
1/2"	E1	C1	L1	X1
3/4"	E2	C2	L2	X2
1"	E3	C3	L3	X3

SPARE PARTS

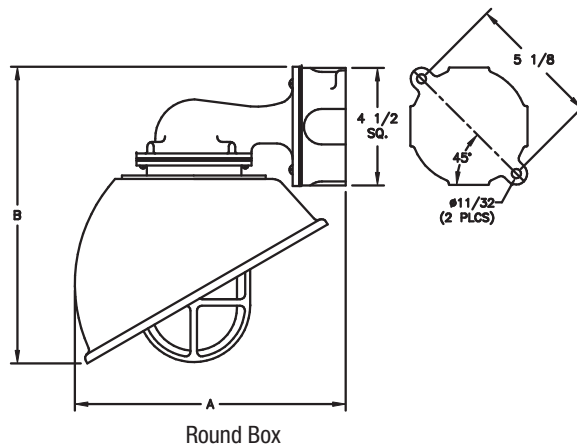
Part No.	Description
INX3528	LAMP, 100w Incandescent
INX3543	LAMP, 150w Incandescent
FX3552	LAMP, 18w Compact Fluorescent
FX3553	LAMP, 26w Compact Fluorescent
FX3554	LAMP, 32w Compact Fluorescent
INX4000	LAMP HOLDER, Incandescent, Standard PBT
INX4000P	LAMP HOLDER, Incandescent, Porcelain
INX4000SP	LAMP HOLDER, Incandescent, Shockproof
FX4030	LAMP HOLDER, Compact Fluorescent, 18w
FX4034	LAMP HOLDER, Compact Fluorescent, 26w & 32w
INX2006*	GLASS GLOBE, 100w 6"
INX2007*	GLASS GLOBE, 150w 7"
INX6037B	JUNCTION BOX
FX5206	BALLAST, 120V 50/60Hz
FX5242	BALLAST, 277V 50/60Hz
CX3070	TERMINAL BLOCK, 4 pole
CX3076	TERMINAL BLOCK, 6 pole
INX1036B	GUARD, 100w 6"
INX1037B	GUARD, 150w 7"
INX4539B	REFLECTOR, 100w/150w
GKT2002SIL	GASKET, Globe 100w
GKT2002SIL	GASKET, Globe 150w
GKT3000SIL	GASKET, Junction Box
GKT8000	SWITCH BOOT
INX3012	DOUBLE POLE TOGGLE SWITCH

*Add one of the following suffix to the above part number to obtain the globe.

Clear Heat Resistant - HR Clear - CLR Green - GRN

Frosted - FST Red - RED Yellow - YEL Blue - BLU

DIMENSIONS



Dimensions in inches

Part No.	Dim A	Dim B
1729M	11 1/4"	11 1/4"
1729M7	11 1/4"	11 1/4"