

SX9 SERIES SCREW COVER JUNCTION BOXES



INDUSTRY STANDARDS

UL 1203 listed; File No. E468486
 cUL File No. E468486
 Class I, Group C, D
 Class II, Group E, F, G

NEMA Type 3, 4X, 7, 9
 NEC Art 500-503

APPLICATION

SX9 Series Junction Boxes are UL certified. They have a screw cover and are used either as junction boxes with/without terminals or for installation of electrical equipment such as fuses, relays, disconnectors, remote control switches, transformers, ballast, etc. Body and cover can be drilled and threaded according to customers' specification.

SPECIFICATIONS

- Body and cover constructed of low copper content aluminum alloy
- Internal/external stainless steel earth screws
- Mounting panel and mounting screws included
- Gasket between body and cover

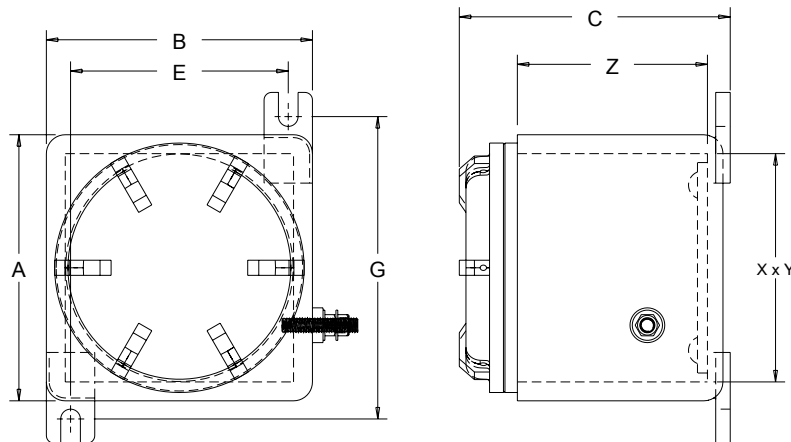
FINISH

RAL 7031 electrostatic polyester paint

BULLETIN: HL5U

Standard Product

Catalog Number	AxBxC in./mm	E in./mm	G in./mm	X in./mm	Y in./mm	Z in./mm	Weight (lbs.)	Weight (Kgs)	Panel Dims. in./mm
SX9GUB1A	6.93 x 6.93 x 7.09 176 x 176 x 180	5.67 144	7.87 200	6.30 160	6.30 160	3.94 100	14.55	7	5.12 x 5.12 130 x 130
SX9GUB2A	9.68 x 8.74 x 7.87 246 x 222 x 200	10.00 254	8.23 209	8.11 206	8.11 206	4.13 105	21.16	10	7.09 x 5.91 180 x 150
SX9GUB3A	11.81 x 10.63 x 9.45 300 x 270 x 240	11.54 293	10.67 271	10.75 273	9.57 243	4.53 115	39.01	18	9.25 x 8.66 235 x 220



89119670

Notes