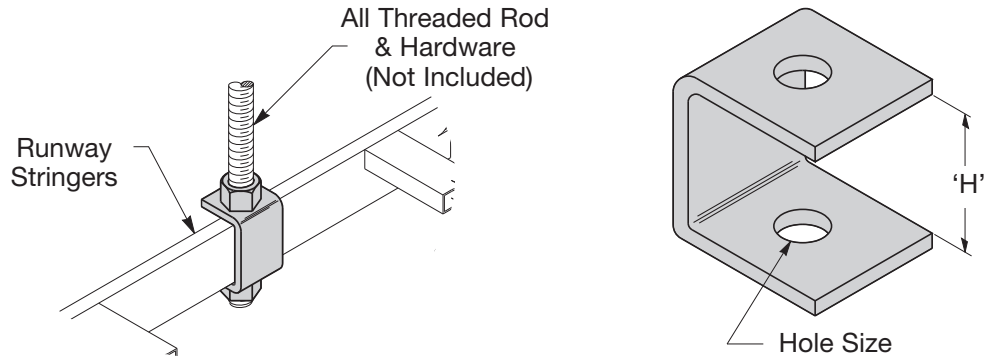


Cable Runways & Accessories

Runway Support

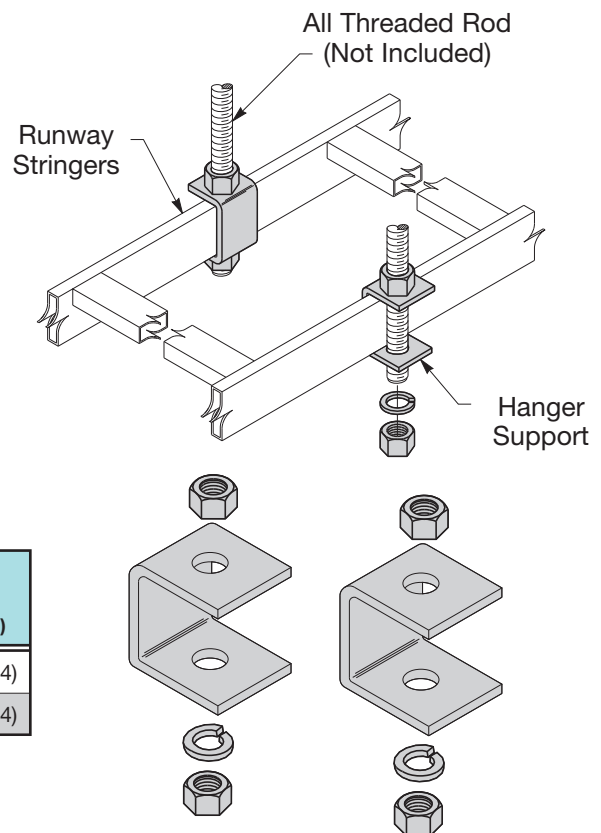
- Use to suspend cable runway from all threaded rod.
- Includes one hanger support (no hardware).
- Material: ASTM A570 structural steel
- Finish___: Yellow Zinc (YZ) or Black Zinc (BZ)



Part Number	Runway Height		'H'		ATR Size	Hole Size		Weight	
	In.	(mm)	In.	(mm)		In.	(mm)	Lbs.	(kg)
SB156A___	1 1/2"	(38)	1 17/32"	(38.9)	1/2"-13	17/32"	(13.5)	0.38	(0.17)
SB156B___	1 1/2"	(38)	1 17/32"	(38.9)	5/8"-11	2 1/32"	(16.6)	0.38	(0.17)

Runway Support Kit

- Use to suspend cable runway from all threaded rod.
- Includes two hanger supports and hardware.
- Material: ASTM A570 structural steel
- Finish___: Yellow Zinc (YZ) or Black Zinc (BZ)

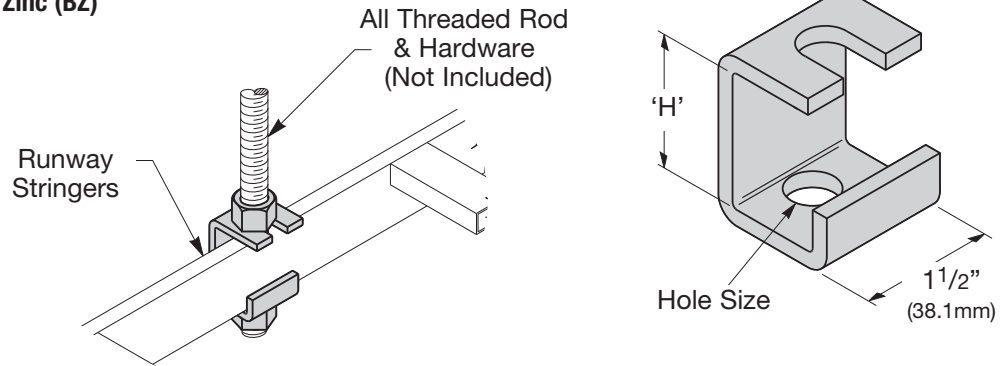


Part Number	Runway Height		ATR Size	Weight	
	In.	(mm)		Lbs.	(kg)
✓ SB2116A___	1 1/2"	(38)	5/8"-11	0.76	(0.34)
✓ SB2116D___	1 1/2"	(38)	1/2"-13	0.76	(0.34)

✓ BZ & YZ are popular items

Slotted Runway Support

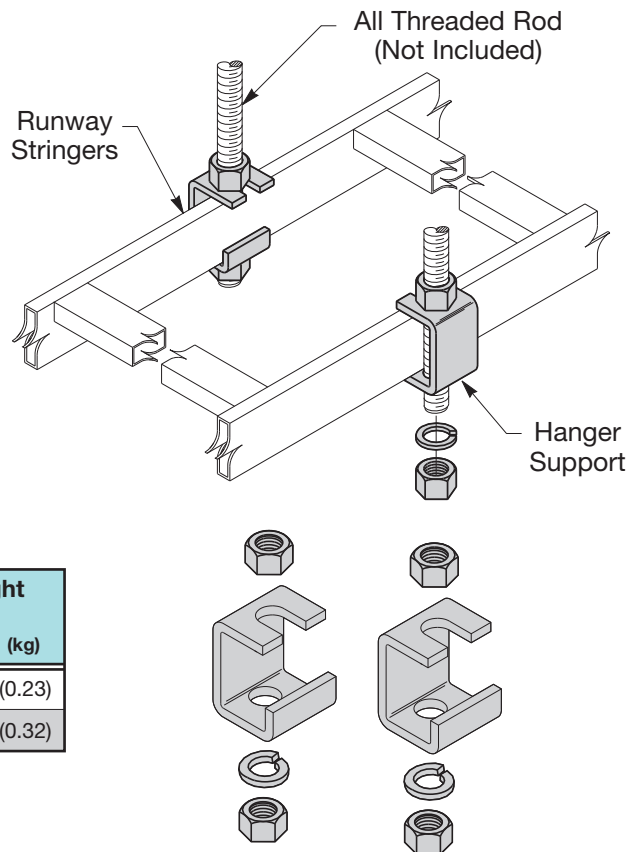
- Use to suspend cable runway from all threaded rod.
- Includes one slotted hanger support (no hardware).
- Material: ASTM A570 structural steel
- Finish___: Yellow Zinc (YZ) or Black Zinc (BZ)



Part Number	Runway Height		'H'		ATR Size	Hole Size		Weight	
	In.	(mm)	In.	(mm)		In.	(mm)	Lbs.	(kg)
SB157A___	1 1/2"	(38)	1 9/16"	(39.7)	1/2"-13	9/16"	(14.3)	0.38	(0.17)
SB157B___	1 1/2"	(38)	1 9/16"	(39.7)	5/8"-11	1 1/16"	(17.5)	0.38	(0.17)

Slotted Runway Support Kit

- Use to suspend cable runway from all threaded rod.
- Slotted hanger support design allows easier cable runway installation.
- Includes two slotted hanger supports and hardware.
- Material: ASTM A570 structural steel
- Finish___: Yellow Zinc (YZ) or Black Zinc (BZ)



Part Number	Runway Height		ATR Size	Weight	
	In.	(mm)		Lbs.	(kg)
✓ SB2118A___	1 1/2"	(38)	5/8"-11	0.52	(0.23)
✓ SB2118D___	1 1/2"	(38)	1/2"-13	0.71	(0.32)

✓ BZ & YZ are popular items