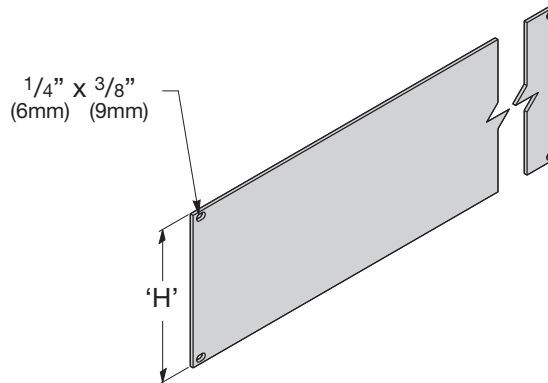


Network Equipment Racks & Accessories

Blank Filler Panel

- Use to close unused mounting spaces in 19" (483mm) or 23" (584mm) racks.
- Accommodates 1 to 10 mounting spaces (other sizes are available on request).
- Includes: #12-24 mounting hardware.
- Aluminum - 0.09 (2.3mm) thick
- Finish ____: **Brushed (AL)**
Telco Gray Powder Coat (TG),
Flat Black Powder Coat (FB) or Silver Powder Coat (SL)
Other finishes are available upon request.
- Ordering: Specify part number and finish abbreviation.



Part Number	Rack Width		'H' Height		Mounting Spaces	Mounting Screws	Weight	
	In.	(mm)	In.	(mm)			Lbs.	(kg)
✓ SB5771901__	19"	(483)	1 ¹¹ / ₁₆ "	(43)	1	4	.58	(0.18)
✓ SB5771902__	19"	(483)	3 ⁷ / ₁₆ "	(87)	2	4	1.17	(0.32)
SB5771903__	19"	(483)	5 ³ / ₁₆ "	(132)	3	4	1.75	(0.50)
SB5771904__	19"	(483)	6 ¹⁵ / ₁₆ "	(176)	4	4	2.33	(0.68)
SB5771905__	19"	(483)	8 ¹¹ / ₁₆ "	(220)	5	4	2.91	(1.32)
SB5771906__	19"	(483)	10 ⁷ / ₁₆ "	(265)	6	8	3.50	(1.59)
SB5771907__	19"	(483)	12 ³ / ₁₆ "	(309)	7	8	4.08	(1.85)
SB5771908__	19"	(483)	13 ¹⁵ / ₁₆ "	(354)	8	8	4.66	(2.11)
SB5771909__	19"	(483)	15 ¹¹ / ₁₆ "	(398)	9	8	5.24	(2.37)
SB5771910__	19"	(483)	17 ⁷ / ₁₆ "	(443)	10	8	5.82	(2.64)
SB5772301__	23"	(584)	1 ¹¹ / ₁₆ "	(43)	1	4	0.71	(0.32)
SB5772302__	23"	(584)	3 ⁷ / ₁₆ "	(87)	2	4	1.41	(0.50)
SB5772303__	23"	(584)	5 ³ / ₁₆ "	(132)	3	4	2.12	(0.68)
SB5772304__	23"	(584)	6 ¹⁵ / ₁₆ "	(176)	4	4	2.83	(1.28)
SB5772305__	23"	(584)	8 ¹¹ / ₁₆ "	(220)	5	4	3.54	(1.60)
SB5772306__	23"	(584)	10 ⁷ / ₁₆ "	(265)	6	8	4.25	(1.93)
SB5772307__	23"	(584)	12 ³ / ₁₆ "	(309)	7	8	4.96	(2.25)
SB5772308__	23"	(584)	13 ¹⁵ / ₁₆ "	(354)	8	8	5.77	(2.62)
SB5772309__	23"	(584)	15 ¹¹ / ₁₆ "	(398)	9	8	6.48	(2.94)
SB5772310__	23"	(584)	17 ⁷ / ₁₆ "	(443)	10	8	7.19	(3.26)

✓ FB & AL are popular items