



Catalog Number: 4424-GSC3R  
Item Description: N3R SCREW CVR GUTTER  
UPC Code: 784572106420

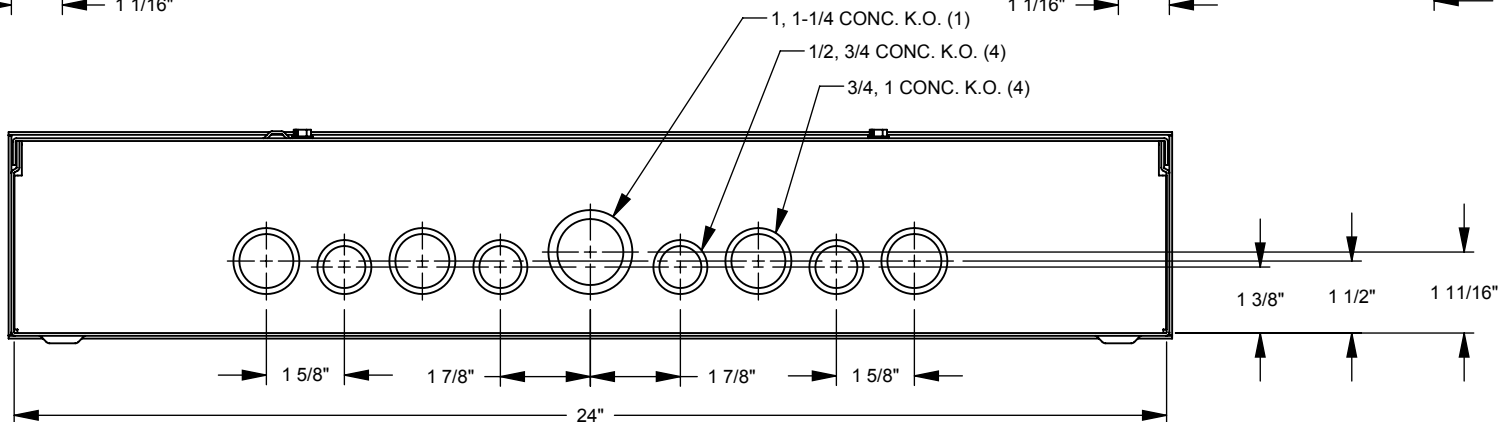
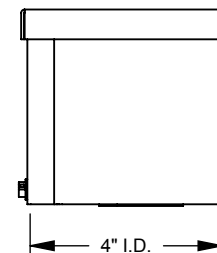
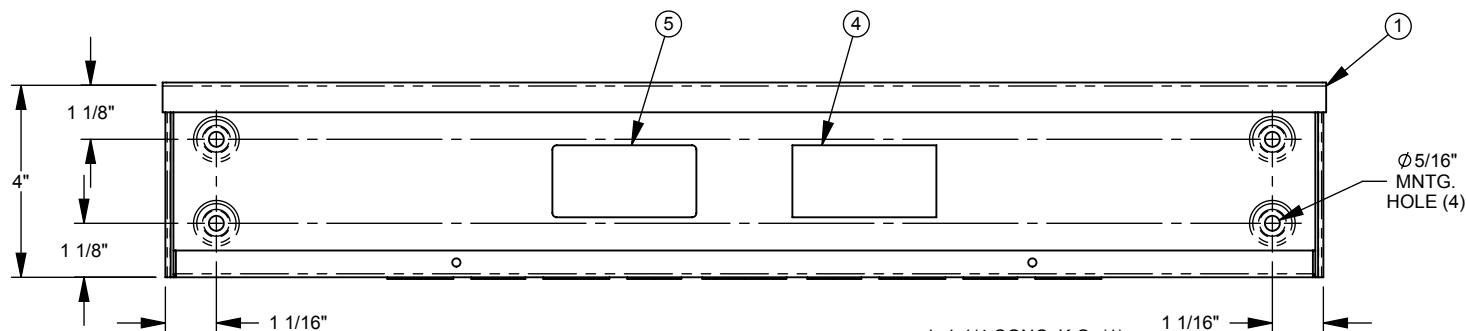
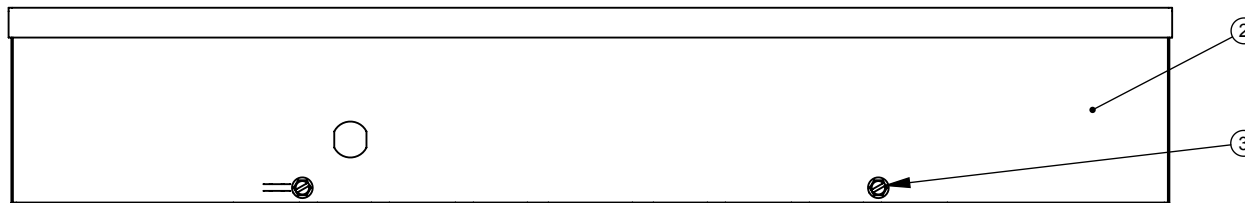
Brand Name: Milbank  
Type: Wiring Trough  
Application: Wireway  
Standard: UL Listed, Type 3R  
Cover Type: Screw Cover  
Enclosure: Outdoor Enclosure  
Nominal Cross Section: 4x4  
Straight Section Length: 24  
Material: Steel with Powder Coat Finish  
Finish: ANSI 61 Gray  
Knockouts: True



*Utility requirements may vary. Always consult the serving utility for their requirements prior to ordering or installing this equipment. This product must always be installed by a licensed electrician. Installation of this equipment may require local electrical inspector approval.*

CAT. NO.	U/L LABEL
4424-GSC3R	1002943
RC-4424-GSC3R	1125051
SPRSCG-4424	1132575

ITEM	QTY.	PART NUMBER	DESCRIPTION
1	1	1153002	BACK WELDMENT
2	1	1010760	FRONT
3	2	1001290	SCREW, 10-32 X 5/16
4	1	1002898	LABEL, RATING 4x4 GSC3R
5	1	(SEE CHART)	UL LABEL, WIREWAY



Material:	16 GA. GALV. STEEL		<p>General Offices: Kansas City, MO</p>
Shear/ Die#:			
Finish:	MILBANK LIGHT GRAY		
Part Wt.:			
Tolerances:		Third Angle	
Unless Specified Otherwise			
REV.	DATE	DESCRIPTION	BY
A2	5/6/11	REDRAW INTO SOLIDWORKS; UPDATE K.O. PATTERN (ECO #20576)	D.F.
Scale:		NTS	Checked By:
Drawn By:		D.F.	Approved By:
Title:		SCREW COVER WIREWAY NEMA TYPE 3R	
Catalog No.:		(SEE CHART)	
Customer:			
Drawing No.:		269	
Date:	5/6/11	Sheet	1 of 1