



Catalog Number: 6612-GSC3R-NK
Item Description: N3R SCREW CVR GUTTER NK
UPC Code: 784572107755

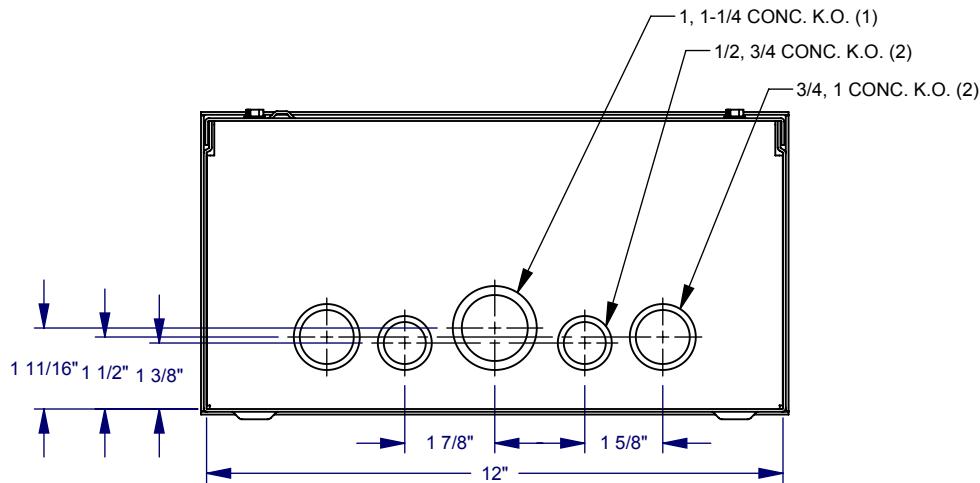
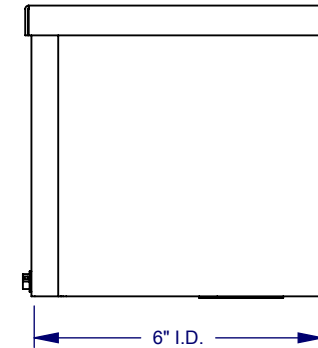
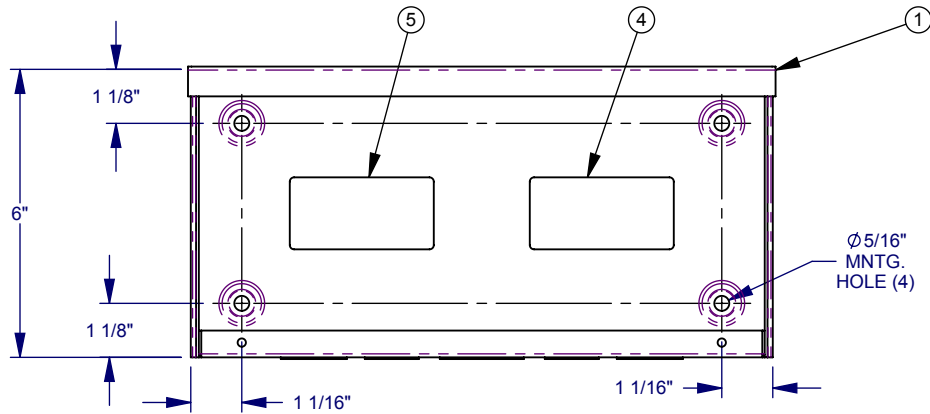
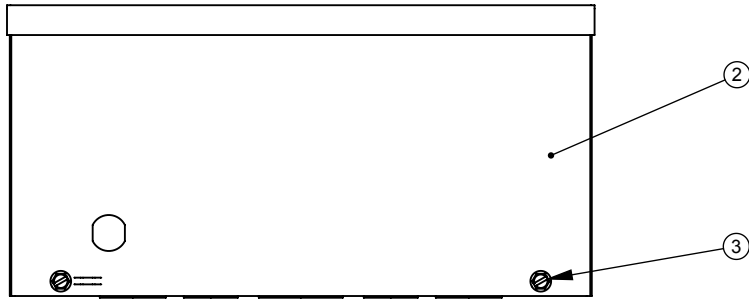
Brand Name: Milbank
Type: Wiring Trough
Application: Wireway
Standard: UL Listed, Type 3R
Cover Type: Screw Cover
Enclosure: Outdoor Enclosure
Nominal Cross Section: 6x6
Straight Section Length: 12
Material: Steel with Powder Coat Finish
Finish: ANSI 61 Gray
Knockouts: False





Utility requirements may vary. Always consult the serving utility for their requirements prior to ordering or installing this equipment. This product must always be installed by a licensed electrician. Installation of this equipment may require local electrical inspector approval.

| CAT. NO. | U/L LABEL |
|---------------|-----------|
| 6612-GSC3R | 1002943 |
| RC-6612-GSC3R | 1125051 |
| SPRSCG-6612 | 1132575 |

| ITEM | QTY. | PART NUMBER | DESCRIPTION |
|------|------|-------------|-------------------------|
| 1 | 1 | (SEE CHART) | BACK WELDMENT |
| 2 | 1 | (SEE CHART) | FRONT |
| 3 | 2 | 1001290 | SCREW, 10-32 X 5/16 |
| 4 | 1 | 1002897 | LABEL, RATING 6x6 GSC3R |
| 5 | 1 | (SEE CHART) | UL LABEL, WIREWAY |



| SUFFIX | FINISH | WELDMNT NO. | FRONT NO. | INSTALL K.O.s |
|--------|--------------------|-------------|-----------|---------------|
| NONE | MILBANK LIGHT GRAY | 1153008 | 1004418 | YES |
| -NP | NONE | 1164498 | 1011060 | |
| -NK | MILBANK LIGHT GRAY | 1164497 | 1004418 | NO |
| -NK-NP | NONE | 1164499 | 1011060 | |

| | | |
|----------------------------|---|---|
| Material: | 16 GA. GALV. STEEL |  <p>General Offices: Kansas City, MO</p> |
| Shear/ Die#: | | |
| Finish: | SEE CHART | Title: SCREW COVER WIREWAY NEMA TYPE 3R |
| Part Wt.: | | Catalog No.: (SEE CHART) |
| Tolerances: | Third Angle | Customer: |
| Unless Specified Otherwise |  | Drawing No.: 1003045 |
| X.X ±.1 | | Date: 5/11/11 |
| X.XX ±.03 | | Sheet 1 of 1 |
| X.XXX ±.015 | | |
| X* ±2* | | |
| Scale: NTS | Checked By: | |
| Drawn By: D.F. | Approved By: | |

NEMA DWG.: #278

| REV. | DATE | DESCRIPTION | BY |
|------|---------|--|------|
| A3 | 5/11/11 | REDRAW INTO SOLIDWORKS; UPDATE K.O. PATTERN (ECO #20576) | D.F. |
| A4 | 4/25/13 | CHART VERSIONS (ECO #23857) | D.F. |