



Catalog Number: 8824-GSC3R
Item Description: N3R SCREW CVR GUTTER
UPC Code: 784572109278

Brand Name: Milbank
Type: Wiring Trough
Application: Wireway
Standard: UL Listed, Type 3R
Cover Type: Screw Cover
Enclosure: Outdoor Enclosure
Nominal Cross Section: 8x8
Straight Section Length: 24
Material: Steel with Powder Coat Finish
Finish: ANSI 61 Gray
Knockouts: True

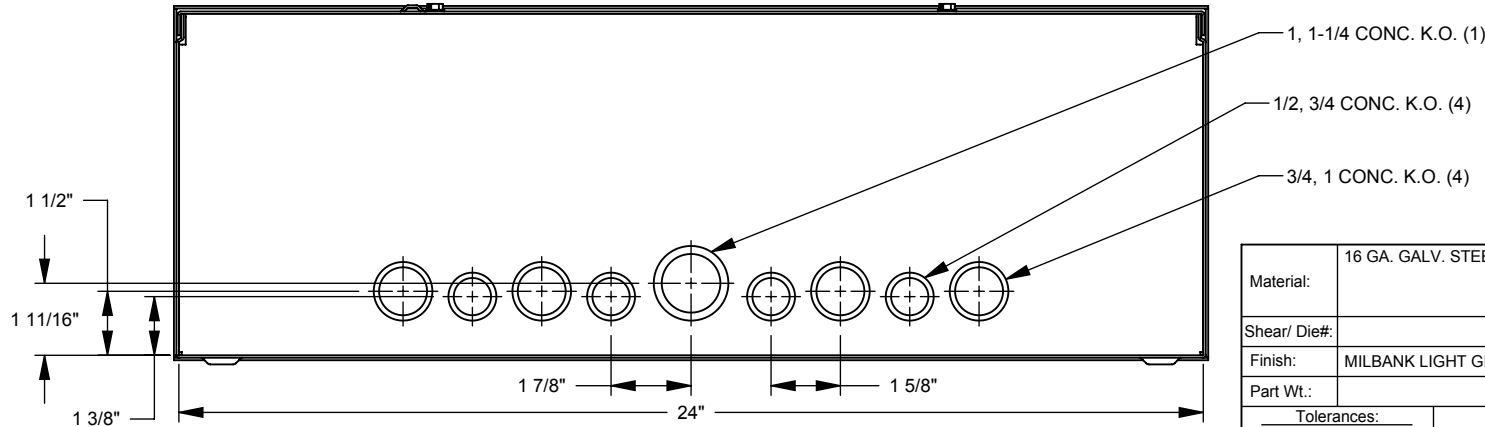
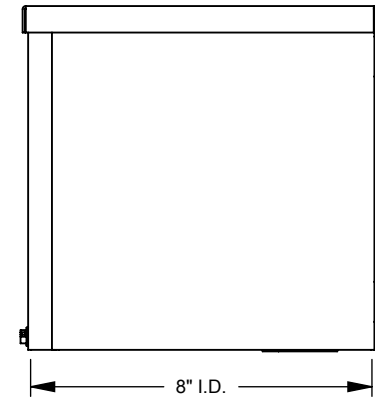
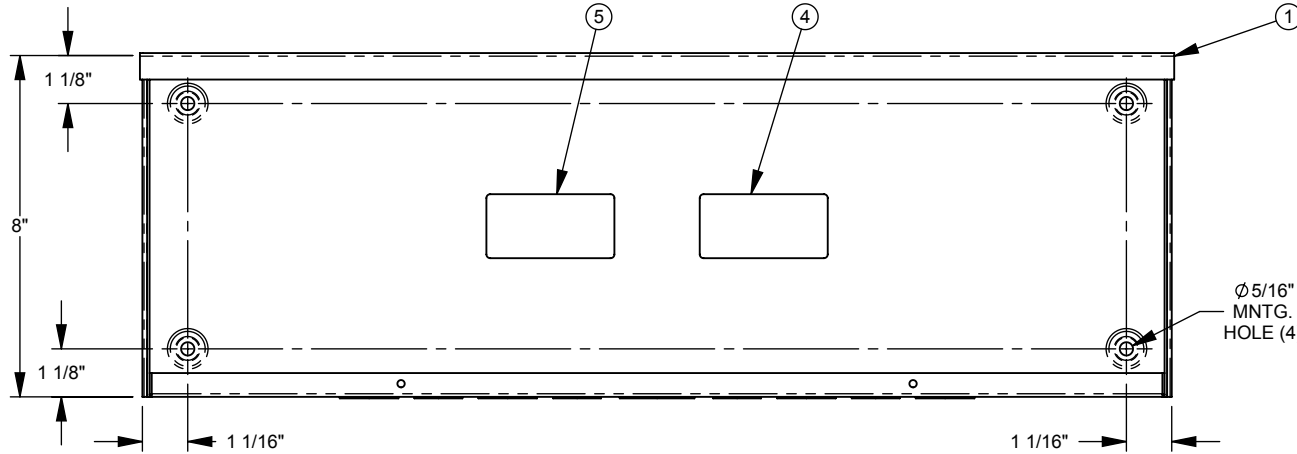
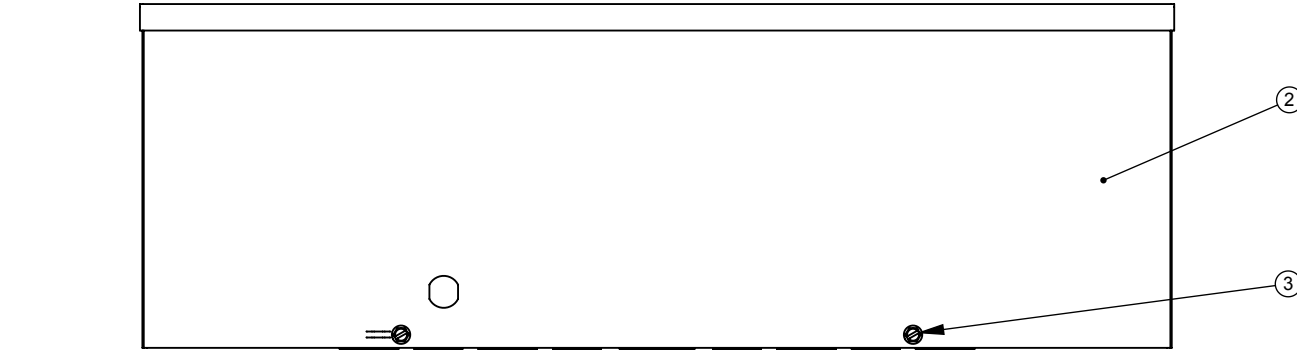



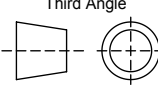
Utility requirements may vary. Always consult the serving utility for their requirements prior to ordering or installing this equipment. This product must always be installed by a licensed electrician. Installation of this equipment may require local electrical inspector approval.

CAT. NO.	U/L LABEL
8824-GSC3R	1002943
RC-8824-GSC3R	1125051

ITEM	QTY.	PART NUMBER	DESCRIPTION
1	1	(SEE CHART)	BACK WELDMENT
2	1	1004423	FRONT
3	2	1001290	SCREW, 10-32 X 5/16
4	1	1002896	LABEL, RATING 8x8 GSC3R
5	1	(SEE CHART)	UL LABEL, WIREWAY

SUFFIX	WELDMENT NO.	INSTALL K.O.s
NONE	1153343	YES
-NK	1153344	NO



Material:	16 GA. GALV. STEEL	 General Offices: Kansas City, MO		
Shear/ Die#:				
Finish:	MILBANK LIGHT GRAY	Title:	SCREW COVER WIREWAY NEMA TYPE 3R	
Part Wt.:		Catalog No.:	(SEE CHART)	
Tolerances: Unless Specified Otherwise X.X ±.1 X.XX ±.03 X.XXX ±.015 X" ±2"		Customer:		
Scale: NTS Drawn By: D.F.		Third Angle 	Drawing No.:	1002635
Checked By: Approved By:		Date:	7/19/11	Sheet 1 of 1

NEMA DWG.: #286

REV.	DATE	DESCRIPTION	BY
A3	7/19/11	REDRAW INTO SOLIDWORKS; UPDATE K.O. PATTERN (ECO #21010)	D.F.