



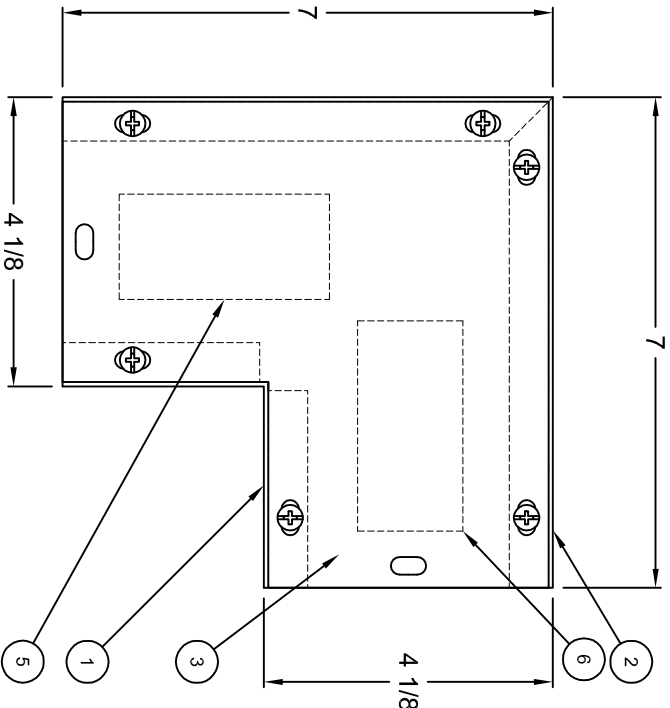
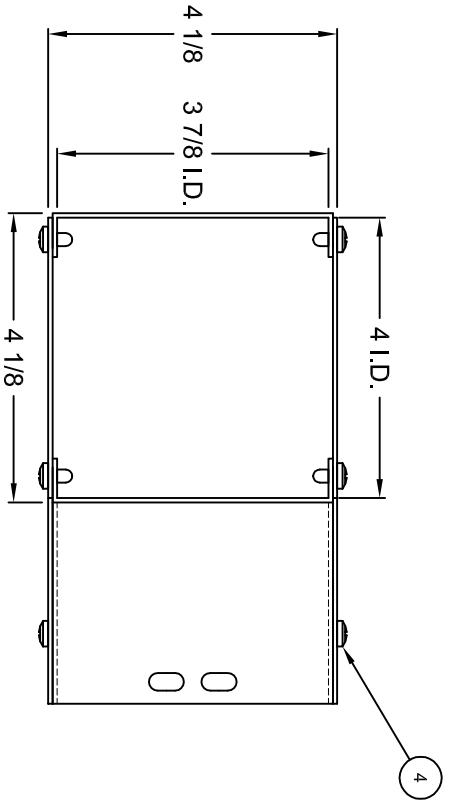
Catalog Number: 44L90S
Item Description: WIREWAY ACCESSORY
UPC Code: 784572106925

Brand Name: Milbank
Type: Wireway 90 Degree Top Access Elbow
Application: Wireway Accessory
Standard: UL Listed, Type 1
Cover Type: Screw Cover
Enclosure: Indoor Enclosure
Nominal Cross Section: 4x4
Material: Steel with Powder Coat Finish
Finish: ANSI 61 Gray
Knockouts: False



Utility requirements may vary. Always consult the serving utility for their requirements prior to ordering or installing this equipment. This product must always be installed by a licensed electrician. Installation of this equipment may require local electrical inspector approval.

CATALOG#	LABEL#
44L90S	1002943
RC-44L90S	1125051
SP-L-4490	1132575



BILL OF MATERIAL	
NO.	DESCRIPTION
1	1 SIDE (IN) # (SEE CHART)
2	1 SIDE (OUT) # (SEE CHART)
3	2 PLATE # (SEE CHART)
4	12 SCREW 10-32 #1001290
5	1 RATING LABEL #1002900
6	1 U/L LABEL (SEE CHART)
7	.125 1002968 CARTON 8PER (NOT SHOWN)

SUFFIX	FINISH	SIDE (IN)	SIDE (OUT)	PLATE
NONE	MILBANK LIGHT GRAY	1149829	1149833	1149835
-NP	NONE	1149831	1149834	1149836

MATERIAL:	16 GA. GALV. STEEL
FINISH:	
CATALOG NO.:	(SEE CHART)
TITLE:	SCREW COVER WIREWAY 90 DEG. ELBOW
CUSTOMER:	
DRAWING NO.:	1003672

NEMA DWG.: #323

REVISIONS:		ADDED ITEMS 1002900, 1002943, & 1002968 ECO. 15905		ADDED LABEL CHART (ECO. 17139)		ADDED LABEL CHART -NP VERSION (ECO #19857)		ADDED CARTON & QTY TO BOM TABLE	
REV	DATE	BY	CHKD	APP	DATE	BY	CHKD	APP	DATE
1	3-29-07								
2	6/6/08								
A	10/13/10								
B	7/28/11								