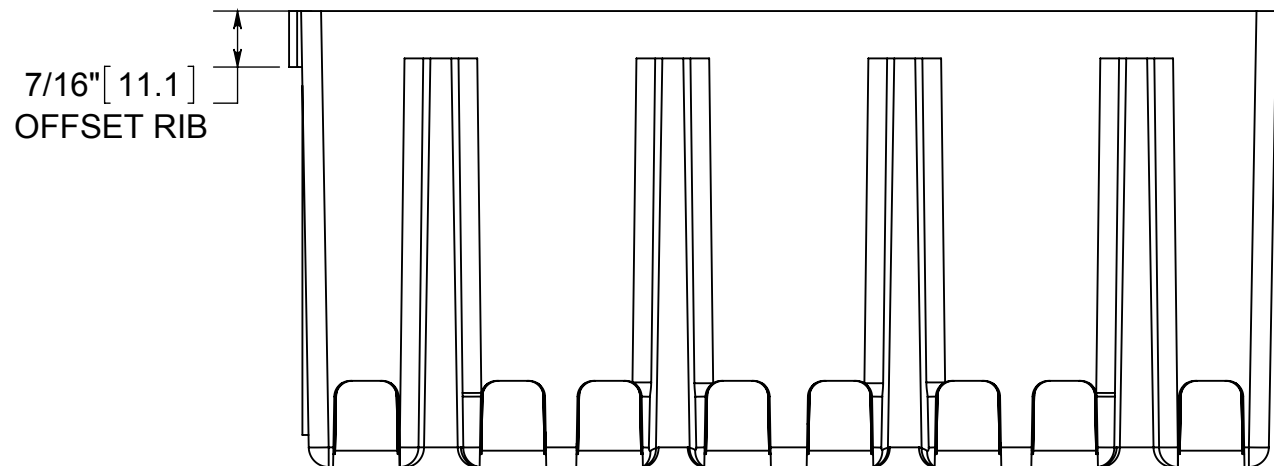
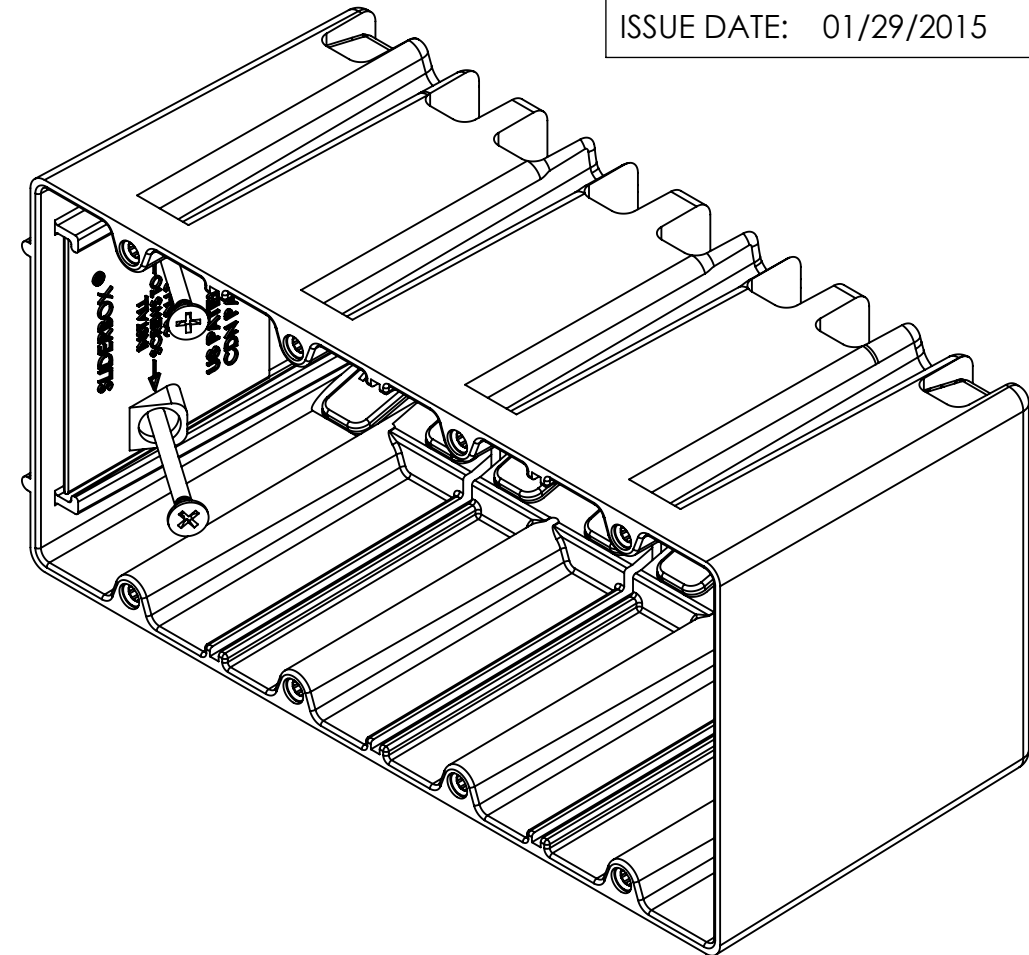
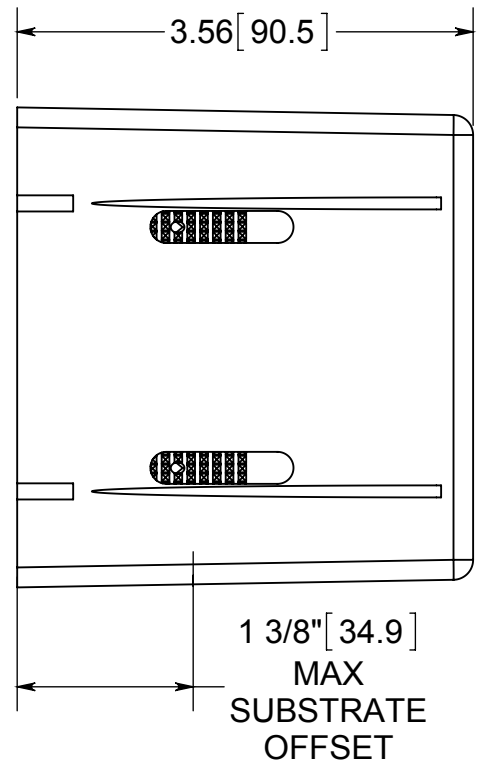


#6-32 MOLDED SPLINE HOLES



- NOTES:**  
 1.) BOX MATERIAL: PC, SLIDER PLATE MATERIAL: PC, SCREW MATERIAL: PLATED CARBON STEEL  
 2.) TWO 1/2" NM KNOCKOUT  
 3.) ACCEPTS LVP-2 LOW VOLTAGE PARTITION



PRODUCT SERIES  
 ADJUSTABLE FOUR GANG 74.8 CU.IN.

Part No.  
**SB-4**

**CONFIDENTIAL**  
 THIS MATERIAL IS OWNED BY THE ALLIED MOULDED PRODUCTS COMPANY, IS DISCLOSED IN CONFIDENCE, AND IS NOT TO BE REPRODUCED OR DISTRIBUTED WITHOUT PRIOR WRITTEN PERMISSION FROM ALLIED MOULDED PRODUCTS.