

L-22

Class I, Div. 1 and 2
Groups B,C,D
Class II, Div. 1 and 2
Groups F,*G
Class III
NEMA 7BCD,9F*G

30 Amp FSQX Receptacles with Interlocked Switch and Cover: Explosionproof, Dust-Ignitionproof

Raintight Screw Cap Receptacle Cover—Interlocked Switch and Cover Safety Construction—Grounding thru Extra Pole and Shell.



Type	Wire/Pole	Hub Size, Inches	Catalog Number
FSQX Receptacles Furnished with four hubs and three close-up plugs.			
2-Pole Switch rated at 30 Amperes 2 H.P., 120V A.C. 5 H.P., 240V A.C. 10 H.P., 480V A.C. 15 H.P., 600V A.C.	2W,3P	1†	FSQX3023-100
3-Pole Switch rated at 30 Amperes 3 H.P., 120V A.C. 7.5 H.P., 240V A.C. 15 H.P., 480V A.C. 20 H.P., 600V A.C.	3W,4P	1†	FSQX3034-100

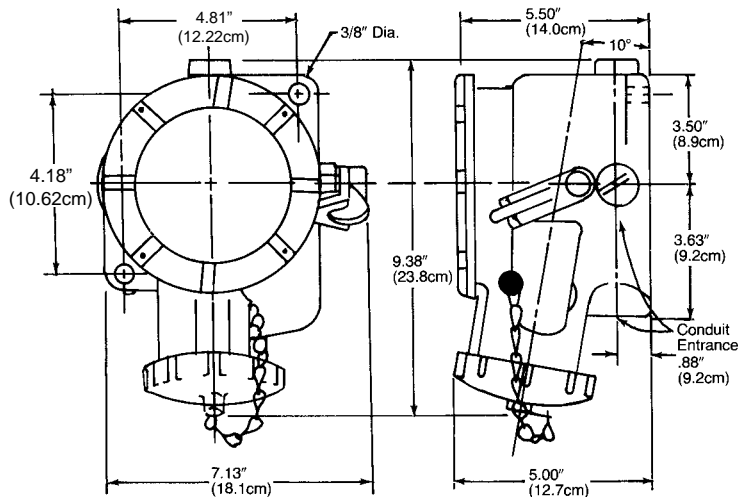


FP Plugs for use with receptacles above
Furnished with cable grip and rubber bushing.
Solder well wire terminals
Pressure terminal for grounding.

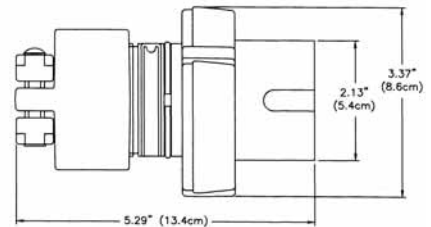
Plug amperes match receptacle ratings	Wire/Pole	Cable Dia., Inches		Catalog Number
		Min.	Max.	
	2W,3P	.039-1.375		FP-3023
	3W,4P	.039-1.375		FP-3034

*To reduce the risk of ignition of hazardous atmospheres, do not use where electrically conductive dusts are present (most coal dusts are not electrically conductive). † Supplied with 1" to 3/4" reducers.

Dimensions of FSQX Receptacles and FP Plugs



FSQX Receptacle



FP Plug

Receptacles and Plugs: Explosionproof

For use with Threaded Metal Conduit.

Applications

- Locations where receptacles are used with stationary or portable electrically operated devices such as lighting systems, conveyors, heaters, motor-generator sets, air conditioners, compressors and pumps.
- Locations where damp or corrosive conditions are encountered.
- Class I- classified areas such as petrochemical plants, petroleum refineries, paint and chemical plants or any location where ignitable vapors or gases are present.
- Class II- locations such as process industries where there are dust hazards from handling such products as flour, grain and starch or any location where ignitable amounts of dust are present or amounts which would adversely affect performance.

Features

- Appleton's U-Line Interchanger™ plug mates with Killark® "UGR" Series and Crouse-Hinds® "ENR" Series receptacles (See page L-4).
- Factory sealed- external seals not required (except EBR, EBRH, DBR, FSQX, JBR, MD2SR). Arcing, if any, is safely confined to receptacle interior.
- U-Line® offers choice of aluminum receptacle with malleable iron mounting box or all malleable iron receptacle and box.
- Energized receptacle contacts deeply recessed to reduce danger of accidental touching.
- Positive polarization: only plugs of the same style, number of poles and ampere rating may be used with these receptacles.
- Grounding through extra pole and shell for extra safety.
- Spring door keeps dust out of receptacle when plug is not in use (CPS, CES/CESD, EBR, EBRH, DBR MD2SR and JBR). U-line® receptacle is supplied with spring door with hinge at top, which may be rotated 180° or completely removed. (See page L-4 for full description of U-Line® features.) FSQX has screw cap fastened to chain.
- Unique design brass contacts exert constant pressure along entire contact surface and provide superior electrical contact.

Class I, II, III



U-Line® /
Contender®
U-Line
20 Ampere,
Dead Front



FSQX
30 Ampere,
Interlocked
Switch and
Cover,
Dead Front

EBRH, EBR
30-, 60-, and 100-Ampere,
Interlocked, Disconnect
Switch or Interlocked
Circuit Breaker, Dead Front



JBR
30- and 60-
Ampere,
Interlocked
Disconnect Switch,
Dead Front



EFSR-GFI / ENR-GFI
Factory Sealed, Explosionproof,
Dust-Ignitionproof, Ground Fault
Circuit interrupter



Class II, III



DBR
30-, 60-, and 100-Ampere,
Interlocked Disconnect
Switch or Interlocked
Circuit Breaker, Dead Front

Class I



CPS®
20 Ampere,
Dead Front

Contender®
CPS® 20 Ampere
Delayed Action



CES / CESD
30- and 60-
Ampere, Delayed
Action, Dead
Front

CPS®-GFI
Factory Sealed,
Explosionproof,
Ground Fault
Circuit Interrupter



MD2SR
Interlocked
Switched
Receptacle



Receptacles and Plugs: Explosionproof

For use with Threaded Metal Conduit.

- U-Line® has blade-type contacts. FSQX, CPS, CES/CESD, EBR, EBRH, MD2SR and DBR contacts have beryllium copper wire springs.

- Positive mechanical cable clamps prevent strain on cables they meet or exceed U.L. strain relief pull-out requirements.

- Neoprene bushing compressed by cable collar prevents entrance of water.

- Insulators provide greatest dielectric and mechanical strength, lowest moisture absorption, and lowest "arc tracking."

- Smooth, rounded integral bushing in each hub protects conductor insulation. (EBR, EBRH, MD2SR and DBR have tapped conduit openings.)

- U-Line and CPS: "Dead Front" construction. To operate, insert plug and rotate. Rotation of plug activates switch to ON position during plug insertion and to OFF position during plug withdrawal.

- U-Line and Contender U-Line are both intermateable with the Crouse-Hinds ENP plugs of like configurations. Contender U-Line receptacles are UL Classified to mount on Crouse-Hinds EDS boxes.

- Special U-Line receptacles are UL Classified to mount on Killark SWB boxes.

- Contender CPS receptacles are intermateable with the Crouse-Hinds CPP516 plug. CPP plug is intermateable with the Crouse-Hinds CPS receptacle.

- FSQX: "Interlocked Switch and Cover" offers double protection—plug cannot be inserted or removed unless switch is in OFF position. Interlock device in the cover breaks circuit when locking screw is backed down for cover removal. To operate, insert plug and turn switch to ON position.

- CES/CESD: "Delayed Action" construction. To operate, insert plug to first stop, move Slide-Lok® slide to right and push plug fully forward.

- EBRH/DBR/JBR: "Interlocked Disconnect Switch" provides safe connect and disconnect operation at 30, 60 or 100 ampere, 600VAC maximum. Two or three pole, non-fused motor circuit switch. EBRH permits safe operation in Class I, Group B as well as Class I, Groups C and D, Class II, Groups F, G, and Class III (DBR in Class II and III only).

- EBR/DBR: "Interlocked Circuit Breaker" provides interlocked connect and disconnect operation as well as short circuit and thermal time delay overload protection.

- EBR, EBRH, DBR, JBR: To operate, insert plug (which automatically locks into receptacle) and turn Breaker Handle to ON position. To remove plug, turn Handle to OFF position, lift Plug Release Knob and pull plug out.

- ECC Cord Connector permits connecting a portable extension cord to an explosionproof enclosure.

- ECP plug fits any standard U-Ground non-explosionproof receptacle (NEMA 5-15R, 5-20R, or 6-20R) as well as U-Line explosionproof receptacles.

- ACP plug fits Powertite® Series non-hazardous location ADR receptacles (see Catalog Section D) as well as EBR, EBRH, JBR, MD2SR and DBR hazardous location receptacles.

- CPH plug fits Powertite® Series non-hazardous location receptacles (see Catalog Section D) as well as CES/CESD and EBR, EBRH, JBR, MD2SR and DBR hazardous location receptacles.

Standard Materials

- *U-Line, CPS, CES/CESD*: copper-free aluminum receptacle and cover with malleable iron mounting box.

- *U-Line M series*: Malleable iron receptacle and mounting box.

- *FSQX*: malleable iron body with copper-free aluminum screw covers.

- *EBR, EBRH, JBR, MD2SR and DBR*: copper-free aluminum receptacle and mounting box.

- *ECP, CPH, ACP, FP, CPP Plugs*: copper-free aluminum housings.

- *ECC cord connectors*: copper-free aluminum housing and fiber glass reinforced polyester interior.

- *Insulating blocks*: U-Line®, CES/CESD, EBR, EBRH and DBR, ECP, CPH, ACP- fiber glass reinforced polyester. FSQX, CPS, CPP, FP-phenolic.

Standard Finishes

- *Malleable iron mounting boxes*: triple-coat-(1) zinc electroplate, (2) dichromate and (3) epoxy powder coat.

- *U-Line receptacles and EBR, EBRH and DBR receptacles and mounting boxes*: Epoxy powder coat.

- *FSQX: malleable iron receptacles*: triple-coat-(1) zinc electroplate, (2) dichromate and (3) epoxy powder coat.

- *CPS aluminum receptacles*: epoxy powder coat.

- *CES/CESD aluminum receptacles*: ceramic burnished.

- *Cord connector housings and caps*: epoxy powder coat.

Options:

- U-Line all-aluminum receptacle cover and box. Suffix—A.

- Contender U-Line and CPS. Suffix—SA.

- *U-Line and CPS receptacles only* available for use in combination with two thru five gang EFD boxes incorporating such devices as pilot lights, switches and push buttons. See Catalog Sections M and N.

- **Special Polarization**: Standard receptacles, plugs and connectors have positive polarization, which ensures that only plugs of the same style, number and ampere rating can be used together. In installations where there are different line voltages, the SPECIAL POLARIZATION option is desirable. This allows only plugs and receptacles wired for the same line voltage to be mated together. The receptacle interior is positioned 22-1/2°, relative to the polarization rivet, to the right (as specified) of standard, and plug is polarized to correspond. This makes it impossible to mate plugs and receptacles of dissimilar voltages. This option can be added to receptacles using the PowerTite® Plug (JBR, EBR, DBR Series). Suffix -P4.

Accessory:

- CPS corrosion resistance kit. Order CPS233RXXKIT (For CPR23 only).

- U-Line corrosion resistance kit. order ULINEREC4XKIT.

Compliances:

- UL Standard 1010, 894, 1682, 1686

- Appleton malleable iron products conform to ASTM A47-77, Grade 32510, which has the following properties: tensile strength, 50,000 psi; yield, 32,000 psi; and elongation, 10%.

- Appleton aluminum products are produced from a high strength copper-free (4/10 of 1% max.) alloy.