





EFS Non-Sealed Front Operated Tumbler Switches

Explosionproof, Dust-Ignitionproof

Malleable Iron Body and Cover. Furnished with Internal Ground Screw.

Class I, Division 1 and 2, Groups C, D
 Class II, Division 1 and 2, Groups E, F, G
 Class III
 NEMA 7CD, 9EFG

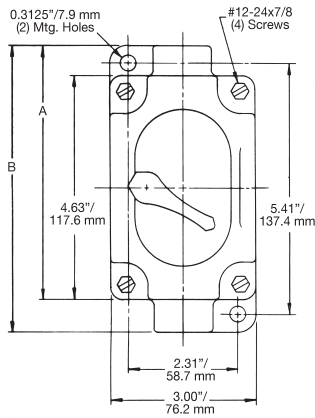
	Hub Size (Inches)	Switch	Dead-End	Catalog Number †	Feed-Thru	
1-Gang						
 <p>Dead-End</p>	20 Amp — 120-277 Vac †					
	1/2	1-Pole	EFS150-F1	EFSC150-F1		
	1/2	2-Pole	—	EFSC150-F2		
	1/2	3-Way	EFS150-F3W	EFSC150-F3W		
	1/2	4-Way	EFS150-F4W	EFSC150-F4W		
	3/4	1-Pole	EFS175-F1	EFSC175-F1		
	3/4	2-Pole	EFS175-F2	EFSC175-F2		
	3/4	3-Way	EFS175-F3W	EFSC175-F3W		
 <p>Feed-Thru</p>	20 Amp — 120-277 Vac †					
	3/4	1-Pole	EFS175-F13	EFSC175-F13		
	3/4	2-Pole	EFS175-F23	EFSC175-F23		
	30 Amp — 120-277 Vac †					
	3/4	1-Pole	EFS175-F13	EFSC175-F13		
	3/4	2-Pole	EFS175-F23	EFSC175-F23		
	<hr/>					
	2-Gang					
 <p>Dead-End</p>	20 Amp — 120-277 Vac †					
	1/2	1-Pole	EFS250-F1	EFSC250-F1		
	1/2	2-Pole	—	EFSC250-F2		
	1/2	3-Way	—	EFSC250-F3W		
	1/2	4-Way	—	EFSC250-F4W		
	3/4	1-Pole	EFS275-F1	EFSC275-F1		
	3/4	2-Pole	—	EFSC275-F2		
	3/4	3-Way	—	EFSC275-F3W		
 <p>Feed-Thru</p>	3/4	4-Way	—	EFSC275-F4W		
	1	2-Pole	EFS210-F2	EFSC210-F2		
	1	3-Way	EFS210-F3W	EFSC210-F3W		
	1	4-Way	EFS210-F4W	EFSC210-F4W		
	30 Amp — 120-277 Vac †					
	3/4	1-Pole	EFS275-F13	EFSC275-F13		
	3/4	2-Pole	—	EFSC275-F23		
	1	2-Pole	EFS210-F23	EFSC210-F23		

† For aluminum backbox and cover, add suffix -A.
 † 20 Amp — 1 HP at 120 Vac and 2 HP at 240 Vac.
 † 30 Amp — 2 HP at 120 Vac or 240 Vac.

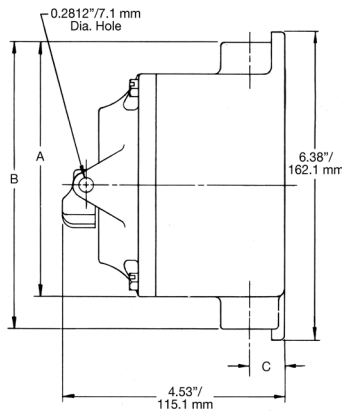
EFS Non-Sealed Tumbler Switch Dimensions

Controls

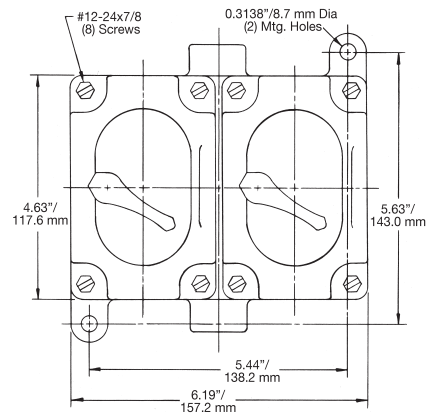
Front Operated Tumbler Switches



Front — 1-Gang



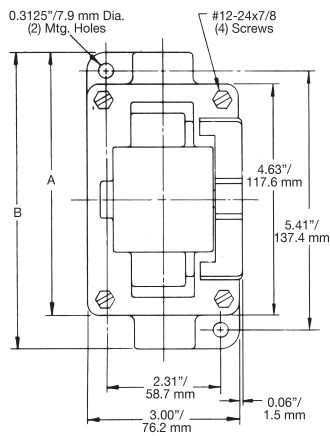
Side



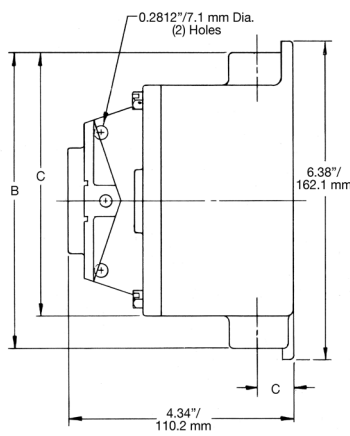
Front — 2-Gang

Hub Size (Inches)	Dimensions in Inches/Millimeters		
	A	B	C
1/2 and 3/4	5.38/136.7	6.13/155.7	0.78/19.8
1	5.50/139.7	6.31/160.3	0.94/23.9

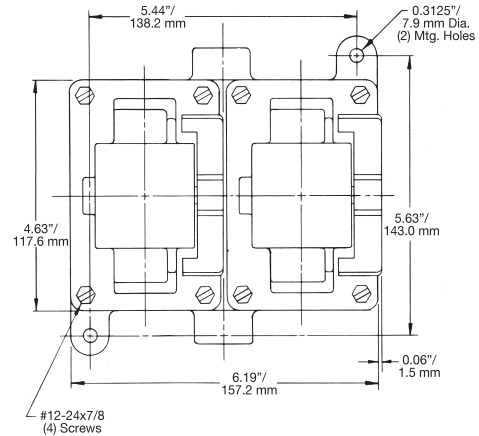
Rocker Arm Operated Tumbler Switches



Front — 1-Gang



Side



Front — 2-Gang

Hub Size (Inches)	Dimensions in Inches/Millimeters		
	A	B	C
1/2 and 3/4	5.38/136.7	6.13/155.7	0.78/19.8
1	5.50/139.7	6.31/160.3	0.94/23.9