

# EBR/DBR 30, 60, 100 and 150 Amp Series Receptacles

With Disconnect Switch or Circuit Breaker. Weatherproof Spring Cover. Explosionproof, Dust-Ignitionproof  
600 Vac Max. 250 Vdc Max.

## EBR Receptacle

Class I, Division 1 and 2, Groups B<sup>+</sup>, C, D  
Class II, Division 1 and 2, Groups F, G  
Class III  
NEMA 3<sup>+</sup>, 3R<sup>+</sup>, 4<sup>+</sup>, 4X<sup>+</sup>, 7CD, 9FG

## DBR Receptacle

Class II, Division 1 and 2, Groups F, G  
Class III  
NEMA 3, 3R, 4<sup>+</sup>, 4X<sup>+</sup>, 9FG

## Applications

- Locations where receptacles are used with stationary or portable electrically operated devices such as:
  - Lighting systems
  - Conveyors
  - Heaters
  - Motor-generator sets
  - Air conditioners
  - Compressors
  - Pumps
  - Locations where damp or corrosive conditions exist
- Class I: classified locations such as:
  - Petrochemical plants
  - Petroleum refineries
  - Paint and chemical plants
  - Any location where ignitable vapors or gases are present
- Class II: classified locations such as:
  - Process industries where there are dust hazards from handling such products as flour, grain and starch or any location where ignitable amounts of dust are present or amounts which would adversely affect performance

## Features

- Energized receptacle contacts deeply recessed to reduce danger of accidental touching.
- Style 2 (shell and extra pole) grounding.
- Spring door keeps dust out of receptacle when plug is not in use. Screw cap also supplied.
- Brass contacts exert constant pressure along entire contact surface and provide superior electrical contact.
- Contacts have beryllium copper wire springs.
- Plug mechanical cable clamps prevent strain on cables— they meet or exceed UL strain relief pull-out requirements.
- Neoprene bushing compressed by cable collar prevents entrance of water.
- Insulators provide superior dielectric and mechanical strength and lowest arc tracking.
- 1-1/2 NPT tapped conduit openings; one top to bottom.
- EBRH and DBR: interlocked disconnect switch provides safe connect and disconnect operation at 30, 60 or 100 Amp, 600 Vac maximum. Two or three pole, non-fused motor circuit switch. EBRH permits safe operation in Class I, Group B as well as Class I, Groups C and D, Class II, Groups F, G, and Class III (DBR in Class II and III only).
- EBR and DBR: interlocked circuit breaker provides interlocked connect and disconnect operation as well as short circuit and thermal time delay overload protection.
- To operate, insert plug (which automatically locks into receptacle) and turn Breaker Handle to ON position. To remove plug, turn Handle to OFF position, lift Plug Release Knob and pull plug out.
- ACP and CPH plug fits Powertite® Series hazardous location EBR, EBRH and DBR receptacles.

## Standard Materials

- EBR, EBRH and DBR receptacles: copperfree (4/10 of 1% max.) aluminum receptacle and mounting box
- CPH and ACP plugs: copperfree (4/10 of 1% max.) aluminum housings
- Insulating blocks: fiber glass reinforced polyester

• Flip cover suitable for NEMA 3, 3R only.

▼ NEMA 4 rating maintained with Appleton NEMA 4 plug installed. Select screw cover for 4, 4X. Both covers are included with product.

◆ Add suffix **-GB** to Cat. No. for Group B. (Group B version not suitable for NEMA 4, 4X).

▶ GE is a registered trademark of General Electric Company.



## Standard Finishes

- Receptacles, mounting boxes, cord connector housings and caps: epoxy powder coat

## Options

- For Group B version add suffix **-GB** to receptacle (Group B version not suitable for NEMA 4, 4X).
- For GE <sup>®</sup> breaker, add **-GE** to receptacle. Contact your local representative for availability and price.
- Molded case switch available on the 150 Amp versions, add suffix **-K** to receptacle.
- Special Polarization: Prevents plug insertion in a receptacle or connector wired for a different voltage. In installations where there are different line voltages, the special polarization option is desirable. This allows only plugs and receptacles wired for the same line voltage to be mated together. The receptacle or connector interior is positioned 22-1/2°, relative to the polarization rivet, to the right (as specified) of standard, and plug is polarized to correspond. This option can be added to receptacles using the Powertite® Plug. Add suffix **-P4** to receptacle or plug.
- For 2" feed-thru openings (one top, one bottom) add suffix **-22** to receptacle.
- 1 N/O and 1 N/C Auxiliary Contacts. Add suffix **-AUX**.

## Certifications and Compliances

- UL Standard: UL 1010 (UL 1203), UL 894, UL 1682, UL 1686
- UL Listed: E79132, E10784, E313360(EBR)

# EBR 30, 60, 100 and 150 Amp Series Receptacles

With Disconnect Switch or Circuit Breaker. Weatherproof Spring Cover. Explosionproof, Dust-Ignitionproof  
600 Vac Max.. Pressure Wire Terminals.

Class I, Division 1 and 2, Groups B<sup>+</sup>, C, D  
Class II, Division 1 and 2, Groups F, G  
Class III  
NEMA 3<sup>+</sup>, 3R<sup>+</sup>, 4<sup>+</sup>, 4X<sup>+</sup>, 7CD, 9FG

## EBRH Receptacles with Disconnect Switch



EBRH with Switch

Receptacle	Wires/Poles	Catalog Number
30 Amp	2W, 3P	EBRH3023DS
	3W, 4P	EBRH3034DS
60 Amp	2W, 3P	EBRH6023DS
	3W, 4P	EBRH6034DS
100 Amp	2W, 3P	EBRH1023DS
	3W, 4P	EBRH1034DS

## EBR Receptacles with Circuit Breaker \*



EBR with Breaker

1-1/2" threaded conduit openings –  
one in top and two in bottom

Receptacle	Circuit Breaker Amp	Pole	with 480 Vac EHD Breaker	Catalog Number with 600 Vac FDB Breaker	with 600 Vac FD Breaker
30 Amp 2W, 3P	20	2	EBR3023EH20	EBR3023FB20	EBR3023HFB20
	30	2	EBR3023EH30	EBR3023FB30	EBR3023HFB30
	40	2	EBR3023EH40	EBR3023FB40	EBR3023HFB40
	50	2	EBR3023EH50	EBR3023FB50	EBR3023HFB50
30 Amp 3W, 4P	20	3	EBR3034EH20	EBR3034FB20	EBR3034HFB20
	30	3	EBR3034EH30	EBR3034FB30	EBR3034HFB30
	40	3	EBR3034EH40	EBR3034FB40	EBR3034HFB40
	50	3	EBR3034EH50	EBR3034FB50	EBR3034HFB50
60 Amp 2W, 3P	50	2	EBR6023EH50	EBR6023FB50	EBR6023HFB50
	60	2	EBR6023EH60	EBR6023FB60	EBR6023HFB60
	70	2	EBR6023EH70	EBR6023FB70	EBR6023HFB70
	90	2	EBR6023EH90	EBR6023FB90	EBR6023HFB90
60 Amp 3W, 4P	100	2	EBR6023EH100	EBR6023FB100	EBR6023HFB100
	50	3	EBR6034EH50	EBR6034FB50	EBR6034HFB50
	60	3	EBR6034EH60	EBR6034FB60	EBR6034HFB60
	70	3	EBR6034EH70	EBR6034FB70	EBR6034HFB70
100 Amp 2W, 3P	90	3	EBR6034EH90	EBR6034FB90	EBR6034HFB90
	100	3	EBR6034EH100	EBR6034FB100	EBR6034HFB100
	50	2	EBR1023EH50	EBR1023FB50	EBR1023HFB50
	70	2	EBR1023EH70	EBR1023FB70	EBR1023HFB70
100 Amp 3W, 4P	90	2	EBR1023EH90	EBR1023FB90	EBR1023HFB90
	100	2	EBR1023EH100	EBR1023FB100	EBR1023HFB100
	50	3	EBR1034EH50	EBR1034FB50	EBR1034HFB50
	70	3	EBR1034EH70	EBR1034FB70	EBR1034HFB70
150 Amp 3W, 4P	90	3	EBR1034EH90	EBR1034FB90	EBR1034HFB90
	100	3	EBR1034EH100	EBR1034FB100	EBR1034HFB100
	100	3	N/A	N/A	EBR15034FD100 ‡
	125	3	N/A	N/A	EBR15034FD125 ‡
	150	3	N/A	N/A	EBR15034FD150 ‡

\* Circuit Breakers are Cutler-Hammer. Cutler-Hammer F-Frame breakers available up to 175 Amps. Add **GE** after EH, FB, or HFB for GE Circuit Breakers. Contact your local representative for availability and price. Cutler-Hammer is a registered trademark of Eaton Corporation. GE is a registered trademark of General Electric Company.

• Flip cover suitable for NEMA 3, 3R only.

▼ NEMA 4 rating maintained with Appleton NEMA 4 plug installed. Select screw cover for 4, 4X. Both covers are included with product.

◆ Add suffix **-GB** to Cat. No. for Group B. (Group B version not suitable for NEMA 4, 4X)

‡ Molded Case Switch available. Add suffix **-K**.

# DBR 30, 60 and 100 Amp Series Receptacles

With Disconnect Switch or Circuit Breaker. Weatherproof Spring Cover. Dust-Ignitionproof  
600 Vac Max.

Class II, Division 1 and 2, Groups F, G  
Class III  
NEMA 3\*, 3R\*, 4\*, 4X\*, 9FG

## DBR Receptacles with Disconnect Switch



DBR with Switch

Receptacle	Wires/Poles	Catalog Number
30 Amp	2W, 3P	DBR3023DS
	3W, 4P	DBR3034DS
60 Amp	2W, 3P	DBR6023DS
	3W, 4P	DBR6034DS
100 Amp	2W, 3P	DBR1023DS
	3W, 4P	DBR1034DS

## DBR Receptacles with Circuit Breaker \*



DBR with Breaker

Receptacle	Circuit Breaker Amp	Pole	with 480 Vac EHD Breaker	Catalog Number with 600 Vac FDB Breaker	with 600 Vac FD Breaker
30 Amp 2W, 3P	20	2	DBR3023EH20	DBR3023FB20	DBR3023HFB20
	30	2	DBR3023EH30	DBR3023FB30	DBR3023HFB30
	40	2	DBR3023EH40	DBR3023FB40	DBR3023HFB40
	50	2	DBR3023EH50	DBR3023FB50	DBR3023HFB50
30 Amp 3W, 4P	20	3	DBR3034EH20	DBR3034FB20	DBR3034HFB20
	30	3	DBR3034EH30	DBR3034FB30	DBR3034HFB30
	40	3	DBR3034EH40	DBR3034FB40	DBR3034HFB40
	50	3	DBR3034EH50	DBR3034FB50	DBR3034HFB50
60 Amp 2W, 3P	50	2	DBR6023EH50	DBR6023FB50	DBR6023HFB50
	60	2	DBR6023EH60	DBR6023FB60	DBR6023HFB60
	70	2	DBR6023EH70	DBR6023FB70	DBR6023HFB70
	90	2	DBR6023EH90	DBR6023FB90	DBR6023HFB90
	100	2	DBR6023EH100	DBR6023FB100	DBR6023HFB100
60 Amp 3W, 4P	50	3	DBR6034EH50	DBR6034FB50	DBR6034HFB50
	60	3	DBR6034EH60	DBR6034FB60	DBR6034HFB60
	70	3	DBR6034EH70	DBR6034FB70	DBR6034HFB70
	90	3	DBR6034EH90	DBR6034FB90	DBR6034HFB90
	100	3	DBR6034EH100	DBR6034FB100	DBR6034HFB100
100 Amp 2W, 3P	50	2	DBR1023EH50	DBR1023FB50	DBR1023HFB50
	70	2	DBR1023EH70	DBR1023FB70	DBR1023HFB70
	90	2	DBR1023EH90	DBR1023FB90	DBR1023HFB90
	100	2	DBR1023EH100	DBR1023FB100	DBR1023HFB100
100 Amp 3W, 4P	50	3	DBR1034EH50	DBR1034FB50	DBR1034HFB50
	70	3	DBR1034EH70	DBR1034FB70	DBR1034HFB70
	90	3	DBR1034EH90	DBR1034FB90	DBR1034HFB90
	100	3	DBR1034EH100	DBR1034FB100	DBR1034HFB100

\* Circuit Breakers are Cutler-Hammer. Cutler-Hammer F-Frame breakers available up to 175 Amps. Add GE after EH, FB, or HFB for GE Circuit Breakers. Contact your local representative for availability and price. Cutler-Hammer is a registered trademark of Eaton Corporation. GE is a registered trademark of General Electric Company.

• Flip cover suitable for NEMA 3, 3R only.

▼ NEMA 4 rating maintained with Appleton NEMA 4 plug installed. Select screw cover for 4, 4X. Both covers are included with product.

# EBR/DBR Receptacles 30, 60, 100 and 150 Amp

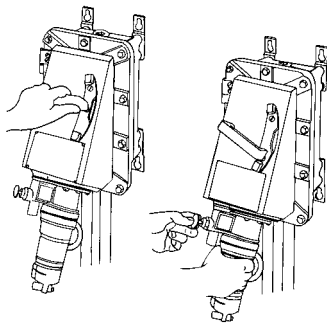
## Circuit Breaker and Disconnect Switch Data

600 Vac Maximum.



**EBR Shown**

Solderless lugs are provided for line connections, and receptacle is prewired to the load side of breaker. Cover-mounted components leave entire enclosure space free for pulling of line conductors and wiring.



**EBR Shown**

Plug is mechanically locked in receptacle when circuit breaker is ON. Design provides interlocked connect and disconnect operation as well as short circuit and thermal time delay overload protection.

Breaker operating handle can be padlocked in either ON or OFF position and is trip-free.

Enclosure has additional 3/4" threaded openings top and bottom for installation of optional drain and breather; reducers furnished.

◀ Cutler-Hammer is a registered trademark of Eaton Corporation.

### EBR/DBR Horsepower Tables

These Cutler-Hammer \* circuit breaker recommendations are for induction motors running with usual speed and torque characteristics. Ambient temperature, and frequency of starting could require different protective characteristics.

	HP	120 Vac	240 Vac	480 Vac	600 Vac
EBR3023 DBR3023 (2W, 3P, 1-Phase, 30 Amp 2-Pole)	1	40EHD	20EHD	15EHD	15FDB
	1-1/2	40EHD	30EHD	15EHD	15FDB
	2	50EHD	30EHD	20EHD	15FDB
	3	—	40EHD	30EHD	20FDB
	5	—	—	40EHD	30FDB
EBR6023 DBR6023 (2W, 3P, 1-Phase, 60 Amp 2-Pole)	7-1/2	—	—	40EHD	40FDB
	3	50EHD	—	—	—
	5	100EHD	50EHD	—	—
	7-1/2	—	70EHD	—	—
EBR3034 DBR3034 (3W, 4P, 3-Phase, 30 Amp 3-Pole)	10	—	—	50EHD	40FDB
	1	—	15EHD	15EHD	15FDB
	1-1/2	—	15EHD	15EHD	15FDB
	2	—	20EHD	15EHD	15FDB
	3	—	30EHD	15EHD	15FDB
	5	—	40EHD	20EHD	20FDB
	7-1/2	—	50EHD	30EHD	30FDB
	10	—	—	40EHD	30FDB
	15	—	—	40EHD	40FDB
	20	—	—	—	50FDB
EBR6034 DBR6034 (3W, 4P, 3-Phase, 60 Amp 3-Pole)	10	—	50EHD	—	—
	15	—	70EHD	—	—
	20	—	—	50EHD	—
	25	—	—	50EHD	50FDB
	30	—	—	70EHD	50FDB
EBR1034 DBR1034 (3W, 4P, 3-Phase, 100A and 150 Amp 3-Pole)	40	—	—	—	70FDB
	20	—	100EHD	—	—
	25	—	100EHD	—	—
	30	—	150FD	—	—
	40	—	—	100EHD	—
	50	—	—	100EHD	100FDB
	60	—	—	125FD	125FDB
75	—	—	—	125FDB	

### EBR/DBR Circuit Breaker Data — Cutler-Hammer \*

Frame	Continuous		Interrupting Ratings (RMS SYM Amp)		
	Amp	Max Volts	240 Vac	480 Vac	600 Vac
EHD	20-100	480	18,000	14,000	—
FDB	20-125	600	18,000	14,000	14,000
FD	20-150	600	65,000	25,000	18,000

### EBR/DBR Horsepower Rating Table — Disconnect Switch

Max. Amp	Max. Horsepower Rating				
	120 Vac	240 Vac	480 Vac	600 Vac	250 Vdc
30	5	10	20	25	7-1/2
60	10	20	40	60	15
100	15	30	75	75	25
150	—	50	100	150	—

Plugs and Receptacles

PLUGS AND RECEPTACLES: HAZARDOUS LOCATION

# Plugs for EBR, EBRH and DBR Receptacles

## Data and Dimensions

### ACP Plugs for EBR, EBRH and DBR Receptacles

Cable Dia. (Inches)	30 Amp		60 Amp		100 Amp		150 Amp
	2W, 3P	3W, 4P	2W, 3P	3W, 4P	2W, 3P	3W, 4P	3W, 4P
.500 to 1.250	ACP3023BC	ACP3034BC	—	—	—	—	—
.500 to 1.375	—	—	ACP6023BC	ACP6034BC	—	—	—
.875 to 1.906	—	—	—	—	ACP1023CD	ACP1034CD	ACP15034CD
1.09 to 2.187	—	—	—	—	—	—	ACP15034DE

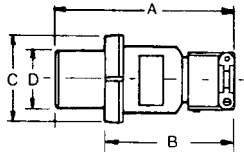


### CPH Plugs for EBR, EBRH and DBR Receptacles

Cable Dia. (Inches)	30 Amp		60 Amp		100 Amp		150 Amp
	2W, 3P	3W, 4P	2W, 3P	3W, 4P	2W, 3P	3W, 4P	3W, 4P
.390 to 1.375	CPH3023BC	CPH3034BC	CPH6023BC	CPH6034BC	—	—	—

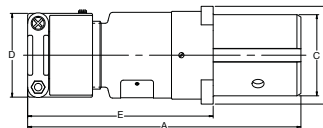


### Dimensions of ACP Plugs



Max. Amp	No. Poles	Dimensions in Inches/Millimeters			
		A	B	C	D
30	2,3,4	6.00/152.4	4.75/120.6	3.13/79.5	1.86/47.2
60	2,3	7.81/198.3	4.94/125.4	3.50/88.9	2.23/56.6
60	4	7.81/198.3	4.94/125.4	3.81/96.7	2.55/64.7
100	2,3	10.50/266.7	6.63/168.4	4.00/101.6	2.47/62.7
100	4	10.50/266.7	6.63/168.4	4.25/107.9	2.72/69.0
150 (CD & DE)	4	10.50/266.7	6.63/168.4	4.25/107.9	2.72/69.0

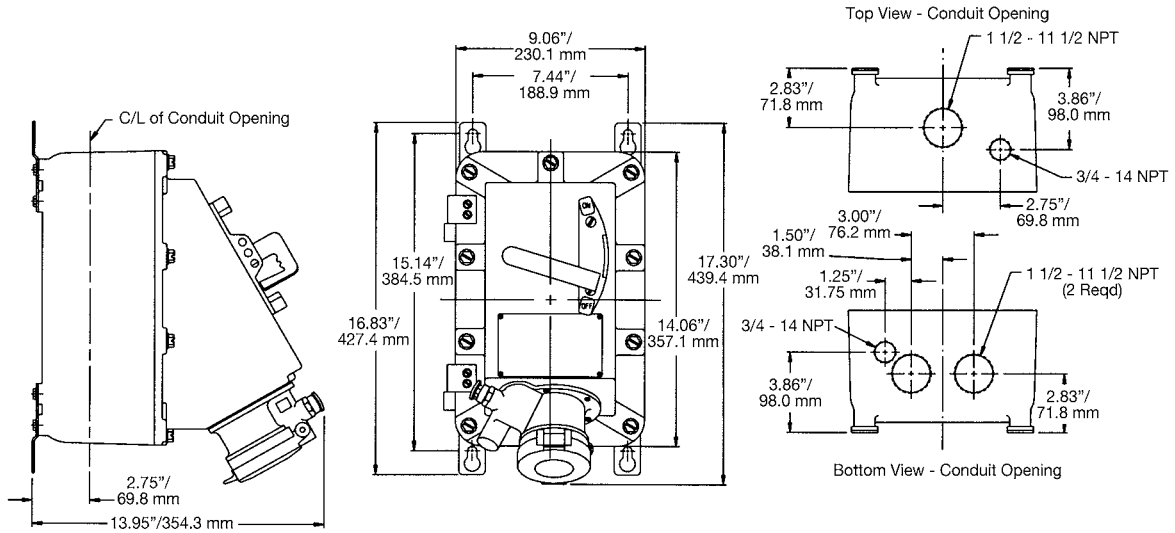
### Dimensions of CPH Plugs



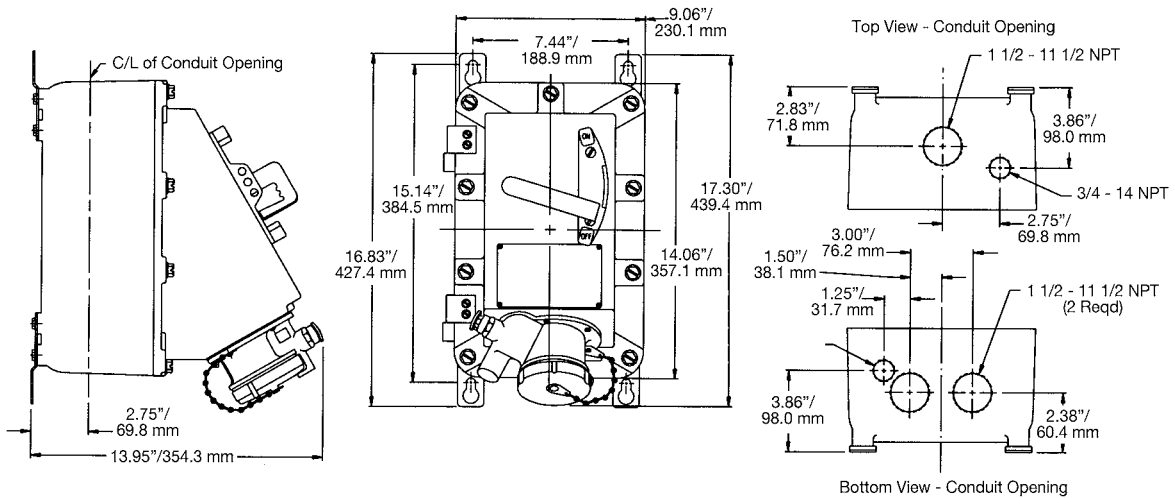
Max. Amp	Wire/Pole	Dimensions in Inches/Millimeters				
		A	B	C	D	E
30	2W, 3P; 3W, 4P	6.13/155.7	2.38/60.4	1.86/47.2	2.63/6.68	4.44/112.7
60	2W, 3P	8.44/214.3	3.06/77.7	3.06/77.7	2.63/6.68	5.69/144.5
60	3W, 4P	8.44/214.3	3.06/77.7	2.55/64.7	2.63/6.68	5.69/144.5

# EBR and EBRH Receptacle Dimensions

## Shown with Flip Cover



## Shown with Screw Cover

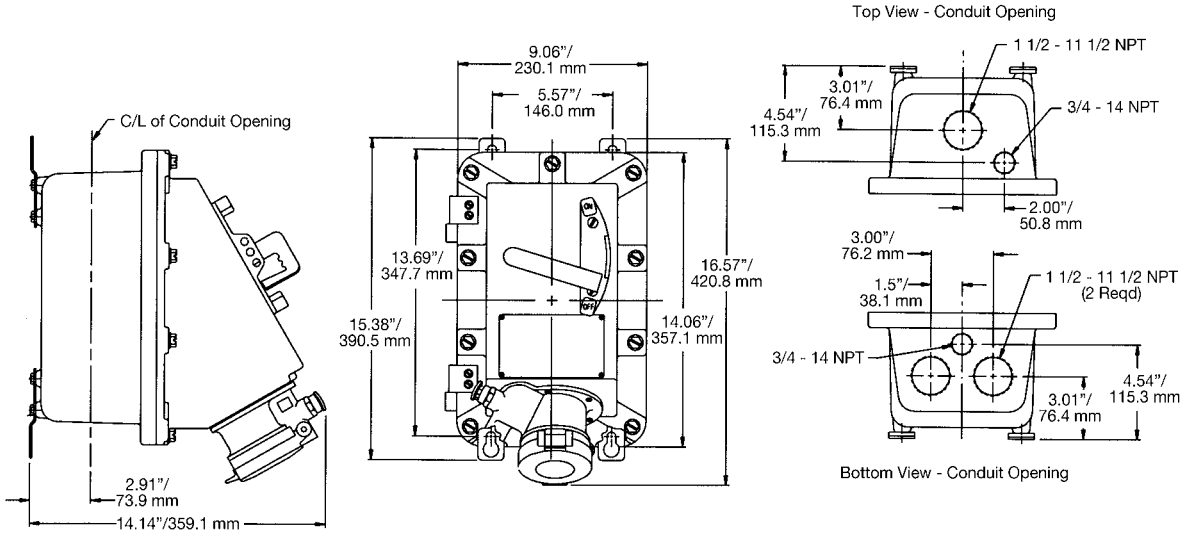


Plugs and Receptacles

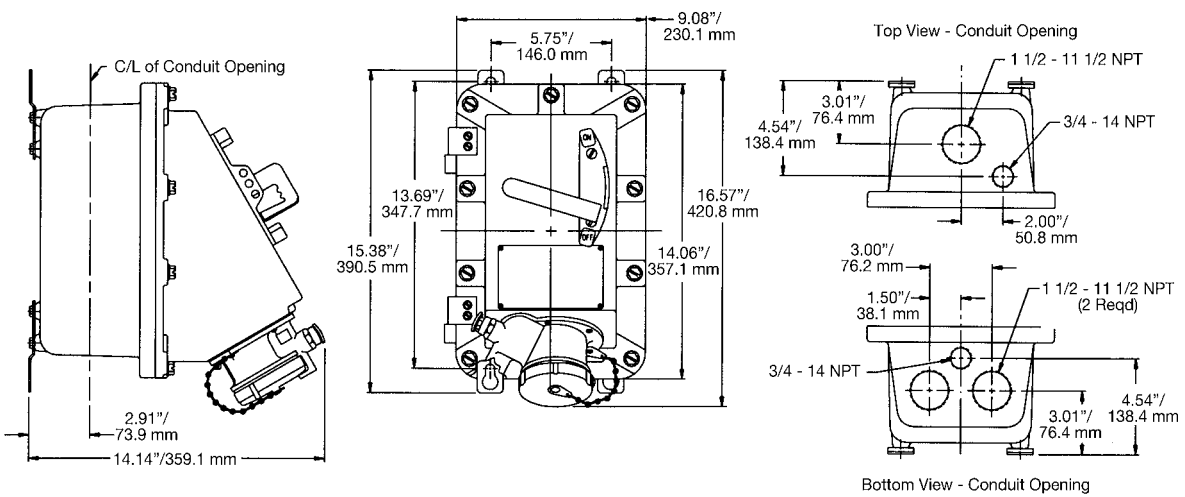
PLUGS AND RECEPTACLES: HAZARDOUS LOCATION

# DBR Receptacle Dimensions

## Shown with Flip Cover



## Shown with Screw Cover



Plugs and Receptacles

PLUGS AND RECEPTACLES: HAZARDOUS LOCATION