

U-Line® ECCL/ECC Factory Sealed 20 Amp Cable Connectors

CSA Certification Only

125 Vac, 20 Amp, 1 HP; 250 Vac, 20 Amp, 2HP. Dead-Front Safety Construction .

CSA Certifications:

Class I, Division 1 and 2 Groups B, C, D

Class II, Division, 1 and 2 Groups F, G

Class III

NEMA 3, 3R, 7BCD, 9FG

Applications

- Adapter sets for connecting portable devices having ECP U-Line Plugs to existing receptacles in non-hazardous areas. Completed adapter set consists of ECCL (or ECC), short flexible cord and plug to fit existing receptacle.

Features

- Gasketed spring cover snaps shut to protect against moisture and combustible dust.
- Gasket in receptacle throat “seals” around plug for protection against environment.
- Interior switch cylinder.
- O-ring at each end to seals combustible dust and moisture.
- 2 bushings to accommodate various cable sizes.

Standard Materials

- Housing: copperfree (4/10ths of 1% max.) aluminum
- O-Ring: neoprene







Standard Finishes

- Epoxy powder coat

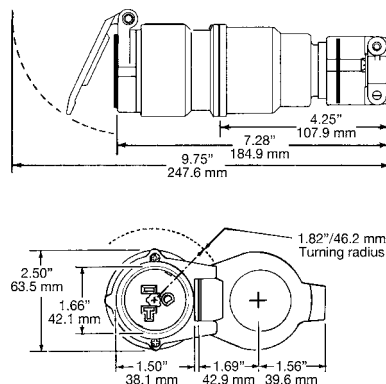
Certifications and Compliances

- CSA Standard: C22.2 No.25, C22.2 No. 30, C22.2 No. 159
- CSA Certified: 038644

20 Amp Cable Connectors

	Wire/Pole	Cable Dia. (Inches)	Amps	Catalog Number	
				125 Vac, 1 HP 	250 Vac, 2 HP 
	2W, 3P	.538 to .639	20	ECCL2023	
	2W, 3P	.538 to .639	20	ECC2023	ECC20232
	NEMA 4X Corrosion Resistance Kit ▼			ULINEREC4XKIT	

Dimensions



 CSA Certification only.

▼ NEMA Type 4X when screw cover kit is used and screw cover is fully engaged.