

Baymaster Prismatic 250/400™ High Bay Luminaires

150 W, 250 W, 400 W HPS. 400 W PSMH. 400 W MH 

Applications

- For illumination of manufacturing, storage, and other indoor areas.

Features

- Standard Baymaster fixtures operate in 104 °F/40 °C ambient temperatures. All units suitable for minimum 194 °F/90 °C supply wire.
- High efficiency (up to 78% with 250 W HPS lamps) with exceptionally long lamp life—economical to own and operate.
- A wide range of ballasts and voltages are available for both domestic and export applications.
- Integral ballast.
- Mogul base sockets with spring loaded center contact and heavy gauge screw shell with double lamp grips to prevent lamps from loosening due to vibration.
- Efficient, low glare, compact reflector is UV stabilized, clear, injection molded high-temperature acrylic that provides 15-20% uplight.
- Reflector installs and adjusts to wide, medium, or narrow distribution (without tools) by repositioning spring locks.
- Installation is quick and easy:
 - (1) mount junction box to 3/4"/19.1 mm conduit
 - (2) slide ballast onto junction box
 - (3) make connections
 - (4) install lamp
 - (5) snap reflector in place
- Open-top reflector design keeps reflector clean because of thermal barrier and chimney effect, and provides up-light to relieve contrast.

Standard Materials

- Ballast: finned, aluminum
- Sockets: heavy duty porcelain
- Reflector: acrylic
- Locks: stainless steel

Standard Finishes

- Ballast: corrosion polyester
- Sockets: nickel plated center contact
- Screws: nickel plated brass

Options

- All units available with a sensor circuit for automatically lighting an auxiliary safety lamp if a power dip or lamp failure extinguishes the HID lamp.

Certifications and Compliances

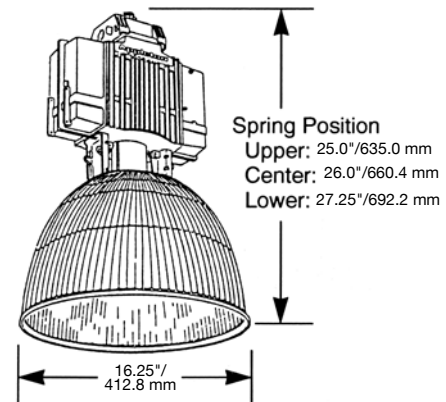
- UL Listed: E109438
- UL Standard: 1598
- CSA Certified: LR9349

Related Products

- For power hook, fusing and other suspension accessories, see *Fixture Hanger Accessories* page.



Dimensions



 CSA Certification only.

Baymaster Prismatic 250/400™ High Bay Luminaires

150 W, 250 W, 400 W HPS. 400 W PSMH. 400 W MH ^{CSA}.

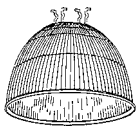
LIGHTING: GENERAL LIGHTING – AREA – HIGH BAY

Lighting

Pendant Mounting

Lamp Type	Voltage	Catalog Number	
		Complete Assembly ❶	Ballast Housing Assembly
For High Pressure Sodium Lamps			
150 W HPS	120/208/240/277 V	G-HB41PL-MT	G-HB411L-MT
150 W HPS	120/277/347 V	G-HB41PL-TT ^{CSA} ❷	G-HB411L-TT ^{CSA} ❷
150 W HPS	480	G-HB41PL-48	G-HB411L-48
250 W HPS	120/208/240/277 V	G-HB61PL-MT	G-HB611L-MT
250 W HPS	120/277/347 V	G-HB61PL-TT ^{CSA} ❷	G-HB611L-TT ^{CSA} ❷
250 W HPS	480	G-HB61PL-48	G-HB611L-48
400 W HPS	120/208/240/277 V	G-HB71PL-MT	G-HB711L-MT
400 W HPS	120/277/347 V	G-HB71PL-TT ^{CSA} ❷	G-HB711L-TT ^{CSA} ❷
400 W HPS	480	G-HB71PL-48	G-HB711L-48
For Pulse Start Metal Halide Lamps			
400 W PSMH	120/208/240/277 V	G-HB71PP-MT	G-HB711P-MT
400 W PSMH	120/277/347 V	G-HB71PP-TT ^{CSA} ❷	G-HB711P-TT ^{CSA} ❷
400 W PSMH	480	G-HB71PP-48	G-HB711P-48
For Metal Halide Lamps ^{CSA}			
400 W MH	120/208/240/277 V	G-HB71PH-MT ^{CSA}	G-HB711H-MT ^{CSA}
400 W MH	120/277/347 V	G-HB71PH-TT ^{CSA} ❷	G-HB711H-TT ^{CSA} ❷

Accessories

	Description	Catalog Number
	16" Prismatic Reflector only.	G-7PR
	16" Prismatic Reflector with clamp band and clear tempered glass lens.	G-7PR-IL ^{CSA}
	16" Prismatic Reflector with clamp band and prismatic acrylic lens.	G-7PR-ILP ^{CSA}

❶ To order fixture complete with lamp, add suffix -L to catalog number.

❷ Supplied complete with CWA Ballast. For 208, 240, 480 or 600 V CWI applications, change the -TT suffix to -C2, -C3, -C6 or -C7 as required. ^{CSA}

^{CSA} CSA Certification only.

Baymaster Prismatic 250/400™ High Bay Luminaire Electrical Specifications

150 W, 250 W, 400 W HPS. 400 W PSMH. 400 W MH ^{CSA}.

- Ballast has primary taps for 120, 208, 240 and 277 Volts.
- Add suffix -E to catalog number if provision for 150 W quartz emergency lamp is desired (lamp not included). Furnished with socket installed and pre-wired.
- 400 W MH lamps: some manufacturers recommend that their lamps be operated in enclosed units only—contact your lamp distributor or lamp manufacturer for the latest safety information.
- To order fixture complete with lamp, add suffix -L to catalog number.

High Pressure Sodium — All ballasts are C.W.A. type, except 150 W HPS which is HX–Auto										
Line Volts	150 W			250 W			400 W			
	Start	Oper.	Total Watts	Start	Oper.	Total Watts	Start	Oper.	Total Watts	
120	2.00	1.70	188	2.00	2.50	295	3.30	3.80	465	
208	1.15	.95	188	1.20	1.50	295	1.80	2.20	465	
240	1.00	.85	188	1.00	1.30	295	1.60	1.90	465	
277	.85	.72	188	.85	1.10	295	1.40	1.70	465	
347 ^{CSA}	0.52	0.56	188	0.60	0.93	295	1.00	1.32	465	
480	.50	.47	189	.40	.65	295	.80	1.00	465	

Pulse Start Metal Halide — Super C.W.A. Ballast Amps																		
Line Volts	175 W			200 W			250 W			320 W			400 W			450 W		
	Start	Oper.	Total Watts	Start	Oper.	Total Watts	Start	Oper.	Total Watts	Start	Oper.	Total Watts	Start	Oper.	Total Watts	Start	Oper.	Total Watts
120	.90	1.78	199	2.10	2.00	235	1.90	2.50	288	2.60	3.25	368	3.50	4.00	454	4.00	4.40	510
208	.50	1.08	199	1.15	1.25	235	1.10	1.45	288	1.50	1.90	368	2.00	2.30	454	2.30	2.60	510
240	.35	.89	199	1.10	1.00	235	.96	1.25	288	1.30	1.65	368	1.75	2.00	454	2.00	2.20	510
277	.30	.76	199	.75	.85	235	.85	1.10	288	1.15	1.40	368	1.50	1.75	454	1.70	1.90	510
347 ^{CSA}	0.25	0.65	199	.25	.70	232	0.62	0.90	288	0.70	1.10	368	1.10	1.35	454	1.10	1.50	505
480	.25	.50	213	.35	.50	237	.46	.60	285	.60	.80	368	.90	1.00	454	.85	1.12	514

Metal Halide ^{CSA} — C.W.A. Ballast Amps										
Line Volts	175 W			250 W			400 W			
	Start	Oper.	Total Watts	Start	Oper.	Total Watts	Start	Oper.	Total Watts	
120	1.3	1.8	213	1.2	2.6	295	3.25	4.0	458	
208	.75	1.1	213	.65	1.5	295	1.9	2.3	458	
240	.65	.90	213	.60	1.3	295	1.65	2.0	458	
277	.55	.78	213	.50	1.12	295	1.4	1.75	458	
347	0.50	0.65	213	0.80	0.90	295	1.20	1.40	458	

^{CSA} CSA Certified only.