

# Liquidtight Flexible Metal Conduit Connectors with Wire Mesh Strain Relief

For Liquidtight Flexible Metal Conduit. STB, STN, and Female ST Types.

Suitable for use in Class I, Division 2

## Applications

- For use with liquidtight flexible metal conduit subjected to flexure, vibration, motion, or strain. "STB" Type connects to threaded hubs. "STN" Type is for connections to sheet metal enclosures. Female ST Type connects to threaded rigid conduit and IMC.

## Features

- Unique long ferrule with more pronounced threads provides over four times UL pull-out requirements.
- Ferrule also provides maximum surface contact for better sealing and a continuous, permanent, positive metal-to-metal ground.
- Stainless steel wire mesh prevents pull-out of flexible conduit from fitting and alleviates flexing stress at liquidtight connection.
- Insulated throat (STB and STN Series) protects against wire damage.
- STN Type has space-saving hex hub wedge adapter that fits nearly flush against inside walls of enclosures, providing maximum wiring room.
- Liquidtight/raintight/oiltight.
- Suitable for wet locations.
- STB Series has full, machined tapered threads (NPT).

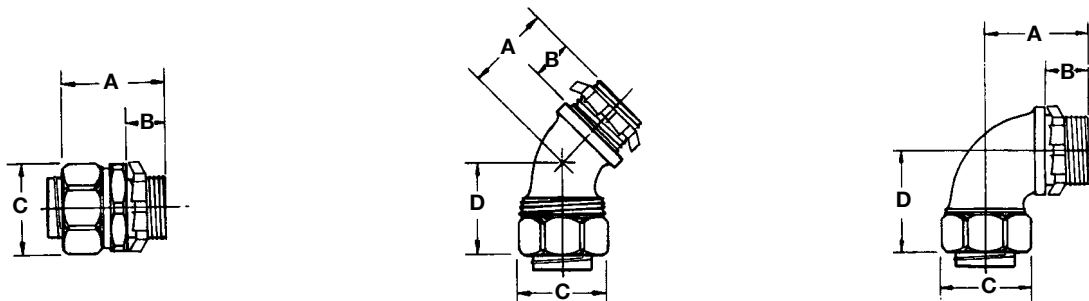
## Standard Material/Finish

- Straight STB, STN, and Female ST connectors: 3/8" thru 1" are steel, 1-1/4" and over are malleable iron
- 45° and 90° connectors: all sizes are malleable iron
- Ferrule: 3/8" thru 1" are steel; 1-1/4" and over are aluminum
- Wire mesh: stainless steel
- Steel: zinc electroplate
- Malleable iron: zinc electroplate, chromate and epoxy powder coat/zinc electroplate

## Certifications and Compliances

- UL Standard: 514B
- UL Listed: E14814
- CSA Standard: C22.2 No. 18.3
- CSA Certified: 065178
- NEMA: FB-1

## Dimensions







## STD Conduit Thread Size

| Flexible Conduit Size (Inches) | NPT Size |
|--------------------------------|----------|
| 3/8                            | 1/2      |
| 1/2                            | 1/2      |
| 3/4                            | 3/4      |
| 1                              | 1        |
| 1-1/4                          | 1-1/4    |
| 1-1/2                          | 1-1/2    |
| 2                              | 2        |
| 2-1/2                          | 2-1/2    |
| 3                              | 3        |

# Liquidtight Flexible Metal Conduit Connectors with Wire Mesh Strain Relief

For Liquidtight Flexible Metal Conduit. STB, STN, and Female ST Types.

Suitable for use in Class I, Division 2

| Catalog Number  | Trade Size (Inches) | Connectors<br>Dimensions in Inches/Millimeters |           |            |             | Outside Diameter<br>in Inches/Millimeters |           | Weight<br>Lbs./Kgs.<br>Per 100 |                |
|---|---------------------|--|-----------|------------|-------------|---|-----------|--------------------------------|----------------|
|   |                     | A  | B         | C          | D           | Min.                                      | Max.      |                                |                |
| <b>STB Straight — Insulated</b>   |                     |  |           |            |             |   |           |                                |                |
|    | <b>STB-38SR</b>     | 3/8 flex, 1/2 hub                              | 1.44/36.6 | 0.63/16.0  | 1.13/28.7   | —   | 0.69/17.5 | 0.71/18.0                      | 20.40/9.25     |
|   | <b>STB-50SR</b>     | 1/2  | 1.44/36.6 | 0.63/16.0  | 1.25/31.8   | —   | 0.82/20.8 | 0.84/21.3                      | 26.70/12.11    |
|   | <b>STB-75SR</b>     | 3/4  | 1.50/38.1 | 0.63/16.0  | 1.50/38.1   | —   | 1.03/26.2 | 1.05/26.7                      | 39.10/17.74    |
|   | <b>STB-100SR</b>    | 1  | 1.63/41.4 | 0.75/19.1  | 1.81/45.9   | —   | 1.29/32.8 | 1.32/33.5                      | 52.70/23.90    |
|   | <b>STB-125SR</b>    | 1-1/4  | 2.00/50.8 | 0.63/16.0  | 2.31/58.7   | —   | 1.63/41.4 | 1.66/42.2                      | 105.40/47.81   |
|   | <b>STB-150SR</b>    | 1-1/2  | 2.25/57.2 | 0.63/16.0  | 2.63/66.8   | —   | 1.87/47.5 | 1.90/48.3                      | 145.70/66.09   |
|   | <b>STB-200SR</b>    | 2  | 2.50/63.5 | 0.69/17.5  | 3.19/81.0   | —   | 2.34/59.4 | 2.38/60.5                      | 202.10/91.67   |
|   | <b>STB-250SR</b>    | 2-1/2  | 3.38/85.9 | 1.06/26.9  | 3.94/100.1  | —   | 2.84/72.1 | 2.88/73.2                      | 398.80/180.89  |
|   | <b>STB-300SR</b>    | 3  | 3.69/93.7 | 1.19/30.2  | 4.38/111.3  | —   | 3.46/87.9 | 3.50/88.9                      | 535.50/242.90  |
| <b>STB 45° — Insulated</b>  |                     |  |           |            |             |   |           |                                |                |
|   | <b>STB-4538SR</b>   | 3/8 flex, 1/2 hub                              | 0.63/16.0 | 1.13/28.7  | 1.13/28.7   | 0.88/22.4                                 | 0.69/17.5 | 0.71/18.0                      | 23.40/10.61    |
|   | <b>STB-4550SR</b>   | 1/2  | 0.63/16.0 | 1.25/31.8  | 1.13/28.7   | 0.88/22.4                                 | 0.82/20.8 | 0.84/21.3                      | 28.70/13.01    |
|   | <b>STB-4575SR</b>   | 3/4  | 0.63/16.0 | 1.50/38.1  | 1.25/31.8   | 1.13/28.7                                 | 1.03/26.2 | 1.05/26.7                      | 46.10/20.91    |
|   | <b>STB-45100SR</b>  | 1  | 0.75/19.1 | 1.81/45.9  | 1.81/45.9   | 1.38/35.1                                 | 1.29/32.8 | 1.32/33.5                      | 67.70/30.71    |
|   | <b>STB-45125SR</b>  | 1-1/4  | 0.63/16.0 | 2.31/58.7  | 1.81/45.9   | 1.63/41.4                                 | 1.63/41.4 | 1.66/42.2                      | 123.40/55.97   |
|   | <b>STB-45150SR</b>  | 1-1/2  | 0.63/16.0 | 2.63/66.8  | 2.13/54.1   | 1.81/45.9                                 | 1.87/47.5 | 1.90/48.3                      | 187.60/85.09   |
|   | <b>STB-45200SR</b>  | 2  | 0.69/17.5 | 3.19/81.0  | 2.38/60.5   | 2.00/50.8                                 | 2.34/59.4 | 2.38/60.5                      | 262.10/118.89  |
|   | <b>STB-45250SR</b>  | 2-1/2  | 1.06/26.9 | 3.94/100.1 | 5.00/127.0  | 3.56/90.4                                 | 2.84/72.1 | 2.88/73.2                      | 818.80/371.40  |
|   | <b>STB-45300SR</b>  | 3  | 1.19/30.2 | 4.38/111.3 | 5.81/147.6  | 4.31/109.5                                | 3.46/87.9 | 3.50/88.9                      | 1085.50/492.37 |
| <b>STB 90° — Insulated</b>  |                     |  |           |            |             |   |           |                                |                |
|  | <b>STB-9038SR</b>   | 3/8 flex, 1/2 hub                              | 0.63/16.0 | 1.13/28.7  | 1.50/38.1   | 1.25/31.8                                 | 0.69/17.5 | 0.71/18.0                      | 28.40/12.88    |
|   | <b>STB-9050SR</b>   | 1/2  | 0.63/16.0 | 1.25/31.8  | 1.50/38.1   | 1.25/31.8                                 | 0.82/20.8 | 0.84/21.3                      | 34.70/15.74    |
|   | <b>STB-9075SR</b>   | 3/4  | 0.63/16.0 | 1.50/38.1  | 1.56/39.6   | 1.44/36.6                                 | 1.03/26.2 | 1.05/26.7                      | 54.10/24.54    |
|   | <b>STB-90100SR</b>  | 1  | 0.75/19.1 | 1.81/45.9  | 1.88/47.8   | 1.38/35.1                                 | 1.29/32.8 | 1.32/33.5                      | 76.70/34.79    |
|   | <b>STB-90125SR</b>  | 1-1/4  | 0.63/16.0 | 2.31/58.7  | 2.38/60.5   | 1.81/45.9                                 | 1.63/41.4 | 1.66/42.2                      | 137.40/62.32   |
|   | <b>STB-90150SR</b>  | 1-1/2  | 0.63/16.0 | 2.63/66.8  | 3.19/81.0   | 2.44/61.9                                 | 1.87/47.5 | 1.90/48.3                      | 218.70/99.20   |
|   | <b>STB-90200SR</b>  | 2  | 0.69/17.5 | 3.19/81.0  | 3.56/90.4   | 2.63/66.8                                 | 2.34/59.4 | 2.38/60.5                      | 314.10/142.47  |
|   | <b>STB-90250SR</b>  | 2-1/2  | 1.06/26.9 | 3.94/100.1 | 8.44/214.4  | 7.19/182.6                                | 2.84/72.1 | 2.88/73.2                      | 898.80/407.69  |
|   | <b>STB-90300SR</b>  | 3  | 1.19/30.2 | 4.38/111.3 | 10.13/257.3 | 8.63/219.2                                | 3.46/87.9 | 3.50/88.9                      | 1185.50/537.73 |
| <b>Female ST Connectors with Threaded Hubs</b>                                      |                     |  |           |            |             |   |           |                                |                |
|  | <b>ST-38FSR</b>     | 3/8 flex, 1/2 hub                              | 1.44/36.6 | 0.63/16.0  | 1.13/28.7   | —   | 0.69/17.5 | 0.71/18.0                      | 18.40/8.35     |
|   | <b>ST-50FSR</b>     | 1/2  | 1.44/36.6 | 0.63/16.0  | 1.25/31.8   | —   | 0.82/20.8 | 0.84/21.3                      | 24.70/11.20    |
|   | <b>ST-75FSR</b>     | 3/4  | 1.50/38.1 | 0.63/16.0  | 1.50/38.1   | —   | 1.03/26.2 | 1.05/26.7                      | 37.10/16.83    |
|   | <b>ST-100FSR</b>    | 1  | 1.63/41.4 | 0.75/19.1  | 1.81/45.9   | —   | 1.29/32.8 | 1.32/33.5                      | 49.70/22.54    |
|   | <b>ST-125FSR</b>    | 1-1/4  | 2.00/50.8 | 0.63/16.0  | 2.31/58.7   | —   | 1.63/41.4 | 1.66/42.2                      | 120.40/54.61   |
|   | <b>ST-150FSR</b>    | 1-1/2  | 2.25/57.2 | 0.63/16.0  | 2.63/66.8   | —   | 1.87/47.5 | 1.90/48.3                      | 170.40/77.29   |
|   | <b>ST-200FSR</b>    | 2  | 2.50/63.5 | 0.69/17.5  | 3.19/81.0   | —   | 2.34/59.4 | 2.38/60.5                      | 257.10/116.62  |
|   | <b>ST-250FSR</b>    | 2-1/2  | 3.38/85.9 | 1.06/26.9  | 3.94/100.1  | —   | 2.84/72.1 | 2.88/73.2                      | 461.90/209.51  |
|   | <b>ST-300FSR</b>    | 3  | 3.69/93.7 | 1.19/30.2  | 4.38/111.3  | —   | 3.46/87.9 | 3.50/88.9                      | 513.10/232.74  |

Commercial Products

COMMERCIAL PRODUCTS: LIQUIDTIGHT CONDUIT FITTINGS

# Liquidtight Flexible Metal Conduit Connectors with Wire Mesh Strain Relief

STN Types

Suitable for use in Class I, Division 2

| Catalog Number                  | Trade Size (Inches) | STD Pipe Thread Size | Dimensions in Inches/Millimeters |            | Hole Diameter (Inches/Millimeters) |                        | Wall Thickness (Inches/Millimeters) |                      | Outside Diameter in Inches/Millimeters |           | Weight Lbs./Kgs. Per 100 |
|---------------------------------|---------------------|----------------------|----------------------------------|------------|------------------------------------|------------------------|-------------------------------------|----------------------|--|-----------|--------------------------|
|                                 |                     |                      | A                                | C          | Min.                               | Max.                   | Min.                                | Max.                 | Min.                                   | Max.      |                          |
| <b>STN Straight – Insulated</b> |                     |                      |                                  |            |                                    |                        |                                     |                      |  |           |                          |
| STN-38SR                        | 3/8                 | 1/2"-14"             | 1.44/35.6                        | 1.13/28.7  | 0.88/22.4                          | 0.94/23.9<br>0.97/24.6 | 0.06/1.5<br>0.09/2.3                | 0.08/2.0<br>0.25/6.4 | 0.69/17.5                              | 0.71/18.0 | 23.40/10.61              |
| STN-50SR                        | 1/2                 | 1/2"-14"             | 1.44/35.6                        | 1.25/31.8  | 0.88/22.4                          | 0.94/23.9<br>0.97/24.6 | 0.06/1.5<br>0.09/2.3                | 0.08/2.0<br>0.25/6.4 | 0.82/20.8                              | 0.84/21.3 | 30.70/13.93              |
| STN-75SR                        | 3/4                 | 3/4"-14"             | 1.56/39.6                        | 1.50/38.1  | 1.09/27.7                          | 1.16/29.5<br>1.22/31.0 | 0.06/1.5<br>0.09/2.3                | 0.08/2.0<br>0.25/6.4 | 1.03/26.2                              | 1.05/26.7 | 46.10/20.91              |
| STN-100SR                       | 1                   | 1"-11-1/2"           | 1.75/44.5                        | 1.81/45.9  | 1.34/34.0                          | 1.41/35.8<br>1.47/37.3 | 0.06/1.5<br>0.09/2.3                | 0.08/2.0<br>0.25/6.4 | 1.29/32.8                              | 1.32/33.5 | 59.50/26.99              |
| STN-125SR                       | 1-1/4               | 1-1/4"-11-1/2"       | 2.63/66.8                        | 2.31/58.7  | 1.69/42.9                          | 1.78/45.2<br>1.84/46.7 | 0.06/1.5<br>0.09/2.3                | 0.08/2.0<br>0.31/7.9 | 1.63/41.4                              | 1.66/42.2 | 146.40/66.41             |
| STN-150SR                       | 1-1/2               | 1-1/2"-11-1/2"       | 2.63/66.8                        | 2.63/66.8  | 1.94/49.3                          | 2.03/51.6<br>2.09/53.1 | 0.06/1.5<br>0.09/2.3                | 0.08/2.0<br>0.31/7.9 | 1.87/47.5                              | 1.90/48.3 | 210.70/95.57             |
| STN-200SR                       | 2                   | 2"-11-1/2"           | 2.94/74.7                        | 3.19/81.0  | 2.39/60.7                          | 2.53/64.3<br>2.59/65.8 | 0.06/1.5<br>0.09/2.3                | 0.08/2.0<br>0.31/7.9 | 2.34/59.4                              | 2.38/60.5 | 312.10/141.57            |
| STN-250SR                       | 2-1/2               | 2-1/2"-8"            | 3.63/92.2                        | 3.94/100.1 | 2.89/73.4                          | 3.02/76.7              | 0.09/2.3                            | 0.31/7.9             | 2.84/72.1                              | 2.88/73.2 | 567.80/257.55            |
| STN-300SR                       | 3                   | 3" - 8"              | 3.19/81.0                        | 4.38/111.3 | 3.52/89.4                          | 3.64/92.5              | 0.09/2.3                            | 0.31/7.9             | 3.46/87.9                              | 3.50/88.9 | 754.50/342.24            |
| <b>STN 90° – Insulated</b>      |                     |                      |                                  |            |                                    |                        |                                     |                      |  |           |                          |
| STN-9038SR                      | 3/8                 | 1/2"-14"             | —                                | —          | 0.88/22.4                          | 0.94/23.9<br>0.97/24.6 | 0.06/1.5<br>0.09/2.3                | 0.08/2.0<br>0.25/6.4 | 0.69/17.5                              | 0.71/18.0 | 26.40/11.97              |
| STN-9050SR                      | 1/2                 | 1/2"-14"             | —                                | —          | 0.88/22.4                          | 0.94/23.9<br>0.97/24.6 | 0.06/1.5<br>0.09/2.3                | 0.08/2.0<br>0.25/6.4 | 0.82/20.8                              | 0.84/21.3 | 30.70/13.93              |
| STN-9075SR                      | 3/4                 | 3/4"-14"             | —                                | —          | 1.09/27.7                          | 1.16/29.5<br>1.22/31.0 | 0.06/1.5<br>0.09/2.3                | 0.08/2.0<br>0.25/6.4 | 1.03/26.2                              | 1.05/26.7 | 52.10/23.63              |
| STN-90100SR                     | 1                   | 1"-11-1/2"           | —                                | —          | 1.34/34.0                          | 1.41/35.8<br>1.47/37.3 | 0.06/1.5<br>0.09/2.3                | 0.08/2.0<br>0.25/6.4 | 1.29/32.8                              | 1.32/33.5 | 101.40/45.99             |



Commercial Products

COMMERCIAL PRODUCTS: LIQUIDTIGHT CONDUIT FITTINGS