

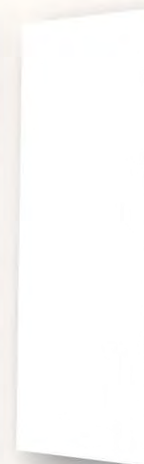


NuTone® Basic Non-Electric Ironing Center – AVD40N

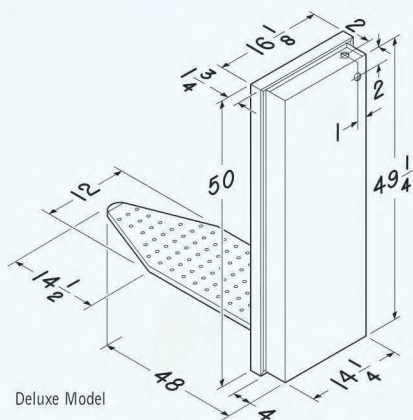
The Basic Ironing Center provides all-metal construction with a ventilated board and handy storage area. This unit can be recess or surface mounted. The Basic model is sold with a choice of a simulated oak or white flat panel door, shown – or your choice of custom door, sold separately. The Basic model is non-electric.



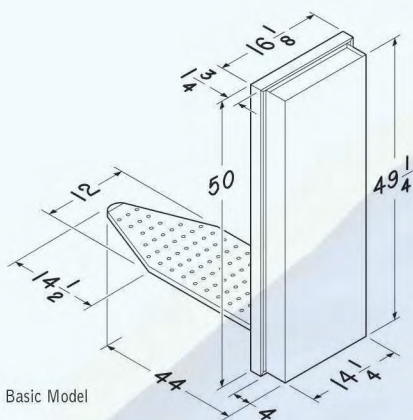
Simulated Oak



White



Deluxe Model



Basic Model

NuTone® Built-in Ironing Centers and Components

Model No.	Description
Ironing Centers	
AVD50N	Deluxe Ironing Center – No Door
AVD40N	Basic Ironing Center – No Door
AVD40WN	Basic Ironing Center – White Flat Panel Door
AVD40KN	Basic Ironing Center – Simulated Oak Flat Panel Door
Custom Doors	
AVDORPN	Oak Raised Panel (unfinished)
AVDWRPN	White Raised Panel
AVDOFPN	Birch Flat Panel (unfinished)
AVDMFPNH	Mirror Door with 1" Beveled Edge
Accessories	
AVDCPN	Ironing Board Cover
AVDSMN	Surface Mount Collar

Custom Door Selections

NuTone® Deluxe Ironing Centers are sold without doors allowing you to choose a NuTone® Custom Door (sold separately).



AVDORPN

Oak Raised Panel (unfinished)



AVDOFPN

Birch Flat Panel (unfinished)



AVDWRPN

White Raised Panel



AVDMFPNH

Mirror Door (with 1" bevel)