

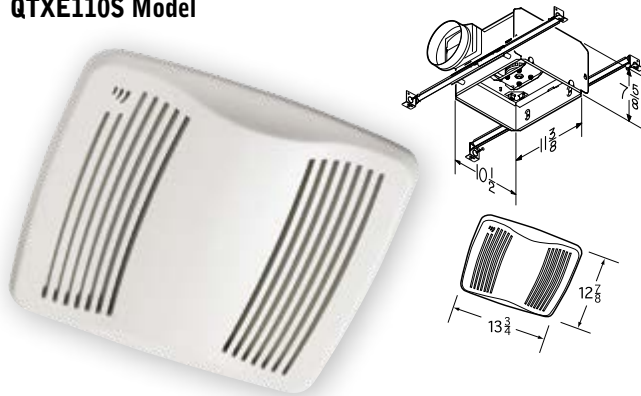
# QT Series™ Fans and Fan/Lights—Humidity Sensing

**QT Series™ Humidity Sensing Fans with Sensaire® Technology.** Broan Sensaire® technology is a hands-free solution to fighting excess humidity and possible mold problems. It detects rapid increases in moisture levels at the ceiling, where steam and humidity naturally rise, and automatically turns the fan on. With a fan this quiet, we included automatic shutoff to save worry, and money. Broan Sensaire® technology is a perfect solution for high traffic bathrooms, the kids' bathroom, or for anyone who leaves the house before humidity is properly vented.

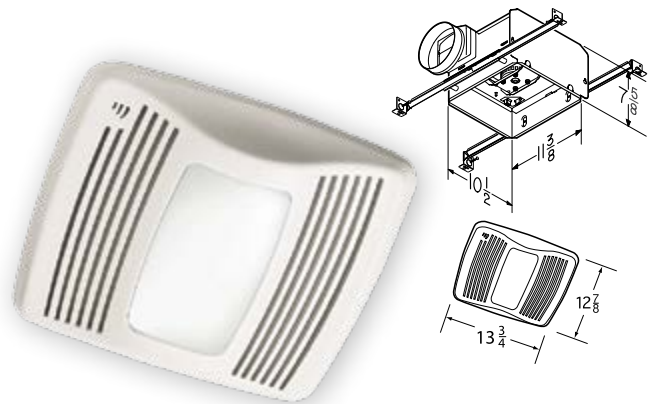
## QTXE and QTRE Sensing Fan Features

- Detects a rapid rise in humidity
- Humidity is sensed at the ceiling level
- QTXE110S features easily accessible sensitivity adjustment
- Easy-to-set shut-off timer: 5–60 minutes on QTXE110S
- Auto shut-off timer: 20 minutes on QTRE100S
- Fits 2" x 8" ceiling construction
- UL Listed for use over bathtub and shower when connected to a GFCI protected branch circuit
- Includes hanger bar system for fast and flexible installation for all types of construction
- ENERGY STAR® qualified
- HVI Certified

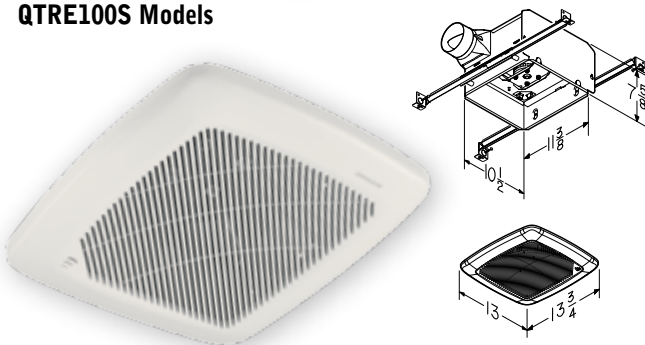
### QTXE110S Model



### QTX110SL & QTXE110SFLT Models



### QTRE100S Models



Model	CFM	Sones	Light/ Night Light	ENERGY STAR®	Ducting
QTXE110SFLT	110	0.7	2-18W / 4W	Yes	6"▲
QTX110SL	110	0.9	100W / 4W	—	6"▲



ENERGY STAR® fans use 65% less energy, on average, than standard models and may qualify for local utility rebates. ▲ See page 54 for 6" ducting (DT6W) product specifications.



Fan Model	CFM	Sones	ENERGY STAR®	Bath Sq. Ft.	Ducting
QTXE110S	110	0.7	Yes	100	6"▲
QTRE100S	100	1.5	Yes	90	4"



ENERGY STAR® fans use 65% less energy, on average, than standard models and may qualify for local utility rebates. ▲ See page 54 for 6" ducting (DT6W) product specifications.



**Hands-free solutions to fighting excess humidity and mold.** Broan's humidity sensing fan/light turns the fan on and off automatically to help prevent cosmetic and possible mold problems associated with excess moisture.

- Detects a rapid rise in humidity
- Humidity is sensed at the ceiling level
- Sensitivity level is adjustable
- Easy-to-set shut-off timer: 5–60 minutes
- UL Listed for use over tub or shower when installed in a GFCI protected branch circuit
- Includes hanger bars for fast, flexible installation in all types of construction
- HVI Certified
- Fits 2"x 8" ceiling construction