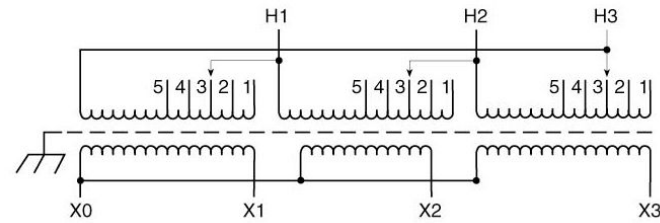
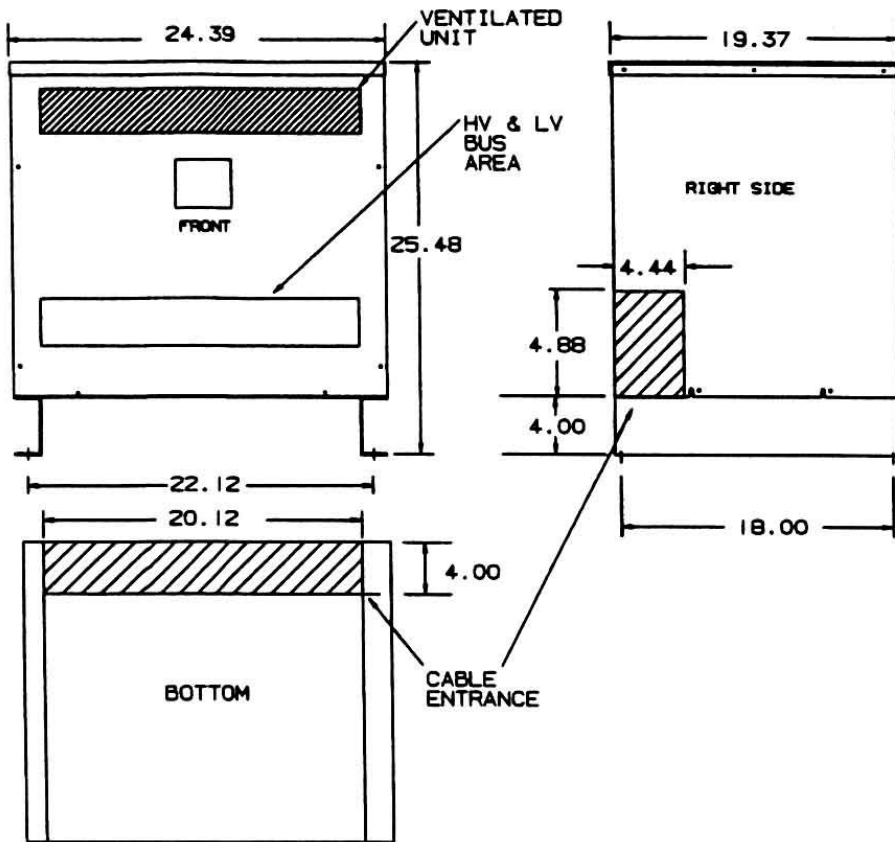


Revisions



Primary Volts	%	Connect Leads to Tap No.
242	105	1
236	102.5	2
230	100	3
224	97.5	4
219	95	5
Secondary Volts		
230		X1, X2, X3
133 1 phase		X1 & X0 X2 & X0 X3 & X0

NOTE: PRIMARY AND SECONDARY BUS AREA IN FRONT OF CASE.

KEY: DENOTES CONDUIT AREAS

KVA	CATALOG NUMBER	VOLTAGE		WEATHER SHIELD	WEIGHT	PHASE	FREQ.
		HIGH	LOW				
40	DTFA-040-4S	230Δ	230Y/133	WS-A-1	370 Lbs	3φ	60 Hz

Winding Rise:	150°C
Insulation:	220°C
Sound Level:	45db

TYPICAL PERFORMANCE DATA

Regulation @ 100% PF:	3.53%
Standards:	

Windings:	AL
Impedance:	4.6%

Typical Efficiency:	97.44%
No Load Losses:	240W
Full Load Losses:	1,637W

Type No.

DRAWN: ADR

DATE: 7-2-08

CASE 1

Control
7

A

ACME ELECTRIC