



LXTB - Touch Tablet Graphical User Interface with Tablet Cradle Installation Instructions

Hubbell Building Automation, Inc.

9601 Dessau Road • Building One • Suite 100

Austin, Texas 78754

512-450-1100 • 512-450-1215 Fax

www.hubbell-automation.com

Overview

This document provides instructions for the installation and operation of the Touch Tablet Graphical User Interface and Tablet Cradle.

Precautions

- Read and understand all instructions before beginning installation.
- Only use with provided 3' RJ-45 cable.
- Only use with LX Lighting Control Panels mounted with Touch Tablet housing.
- For indoor use only.
- Notice: do not install or operate unit if any damage is noticed.

Installation

1. Install Tablet Cradle to Tablet Cradle Mounting Brackets using the 4 (four) screws included.
2. Plug 3' RJ-45 cable (provided) into the RJ-45 socket located in back of the Touch Tablet.
3. Connect the Touch Tablet to the LX Lighting Control Panel by plugging the free end of the 3' RJ-45 cable into the RJ-45 connector located near the top of the Lighting Control Panel.
4. Once connected to the Lighting Control Panel, the Touch Tablet should automatically power up and be ready for use.

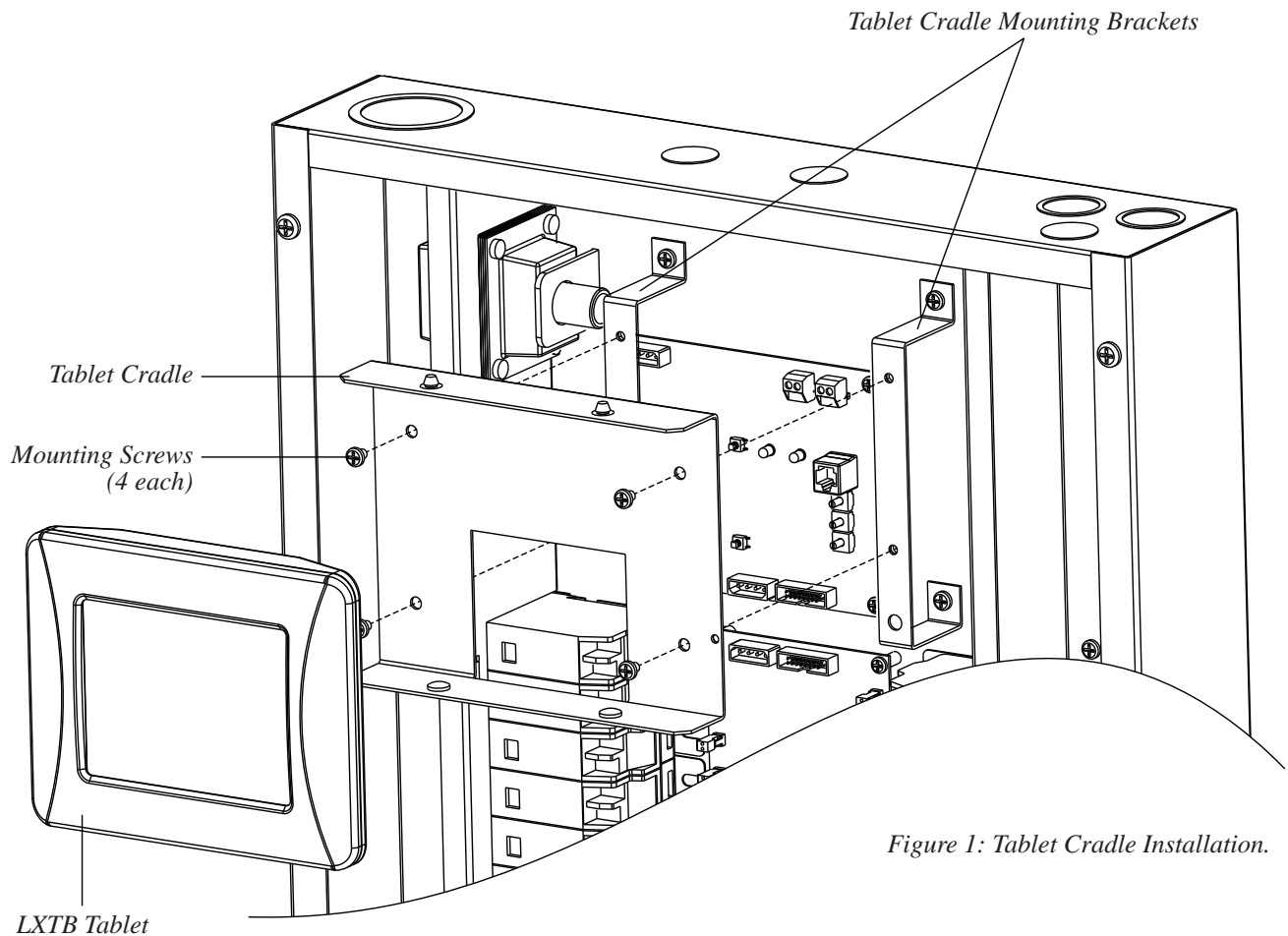
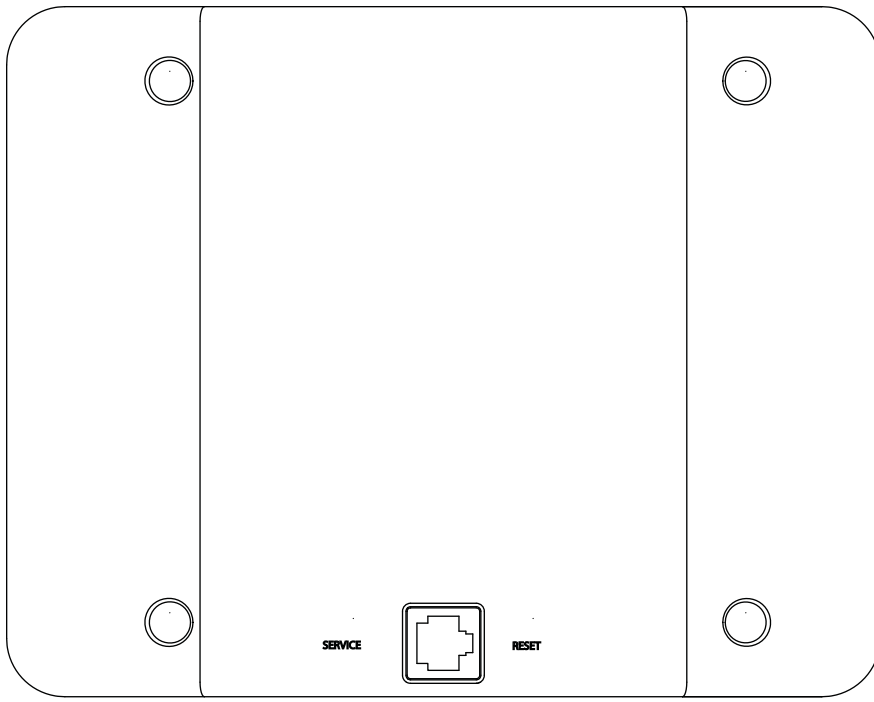


Figure 1: Tablet Cradle Installation.



*Figure 2:
Back of the LX Touch Tablet showing the RJ-45
cable socket, RESET and SERVICE buttons.*

Operation

1. Use a stylus or your fingers to press buttons on the Touch Tablet screen. Do not use writing utensils or anything sharp.
2. The Touch Tablet can be reset by inserting a paper-clip (or other slim, blunt-tipped tool) into the RESET hole on the back of the Touch Tablet.
3. To reset the Touch Tablet back to factory-settings, insert a paper-clip into the SERVICE PIN hole on the back of the Touch Tablet and hold for 3 seconds. The Touch Tablet will then beep twice to indicate it is switching back to factory defaults. Once factory defaults have been restored, the Touch Tablet will automatically reset and be ready for use.

Removal

1. Disconnect the 3' RJ-45 cable from the Lighting Control Panel.
2. Disconnect the 3' RJ-45 cable from the Touch Tablet.

Storage

1. The Touch Tablet can be stored in the tablet cradle mounted in the Lighting Control Panel. Place the Touch Tablet in the large opening of the housing and press lightly to seat it into the housing.
2. The 3' RJ-45 cable can likewise be stored in the Touch Tablet cradle. Wind the cable up and place it in the small, recessed area behind the Touch Tablet. Once the Touch Tablet is stored in place (see previous step above), it will hold the cable in place.



Building Automation, Inc.

Hubbell Building Automation, Inc.

9601 Dessau Road • Building One • Suite 100 • Austin, Texas 78754

512-450-1100 • 512-450-1215 Fax

www.hubbell-automation.com