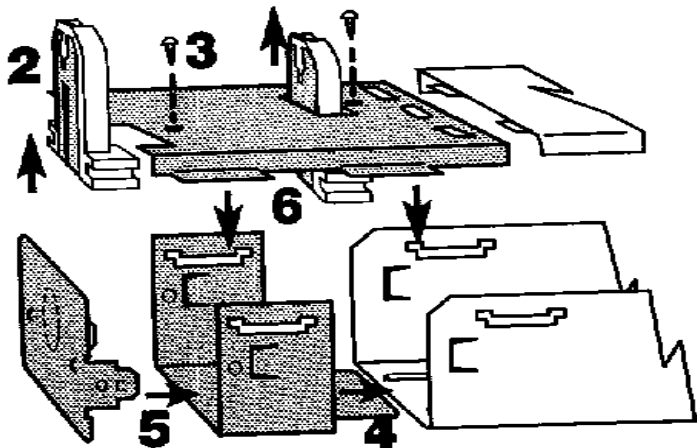


## INSTALLATION INSTRUCTIONS STARTER KIT TWO LAMP STAGGERED STRIP

### STARTER KIT SSL SERIES (Two Lamp Application) SINGLE CHANNEL

1. Attach a Starter Kit to End of Channel (Shaded Parts).
2. Install sockets in location.
3. Install Socket locking screws.
4. Install coupler
5. Install end plate
6. Snap socket track into place
7. Secure channel cover to channel with tabs at one end, quarter turn fastener the other.



0590-A904