

DESCRIPTION

Universal Lampholders accept a wide range of lamps and accessories. For use with Halo and Lazer-by-Halo track systems.

Catalog #		Type
Project		
Comments		Date
Prepared by		

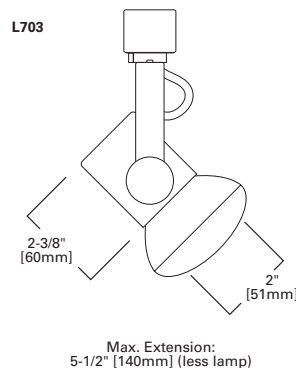
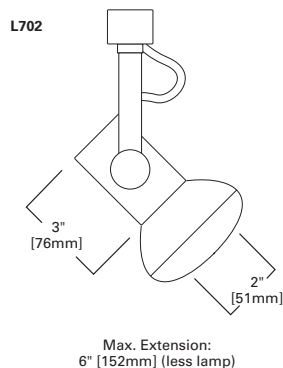
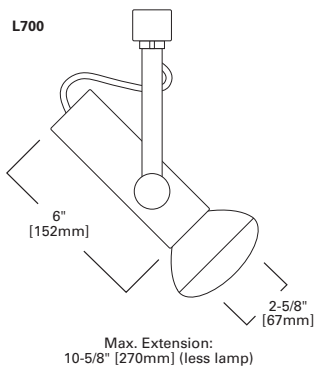
SPECIFICATION FEATURES

Electrical Quick Lock Adapter
Polycarbonate casing. Attaches electrically and mechanically anywhere along the track. Visual polarity line assures proper grounding. Two position conductor allows use in single circuit and either circuit of two circuit track.

Stem
Stem allows lampholder to rotate 332° and adjust vertically from 0° to 180° for L700 and L1700, and 0° to 90° for L702 and L703.

Listings
UL listed and CSA certified for use with Halo and Lazer-by-Halo track and track systems.

Accessories
L280 Light Shield clips onto lamp and can be used with L700, L703 and L1700. Allows use of L200 color filters or 272 and L275 louvers.



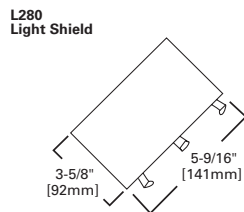
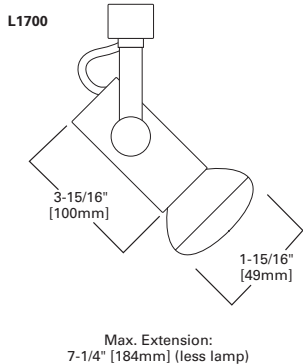
L700



L702



L703



Lampholder	Lamps
L700	30-300W R40 150-250 PAR28
L702	30-300W R40 75W PAR16 50W PAR20 75W PAR30 Long Neck 150W PAR38
L703	30-300W R40 75W PAR30 150/250W PAR38
L1700	50W PAR20 75W PAR30

ORDERING INFORMATION

SAMPLE NUMBER: L700P

Lampholders	Finish
L700=L700 Universal Lampholder L702=L702 Universal Lampholder L703=L703 Universal Lampholder L1700=L1700 Universal Lampholder	MB=Black P=White

Accessories (Order Separately)	Finish
L280=PAR38 Light Shield, allows use of L200 color filters or 272 and 275 louvers	MB=Black P=White

**LINE VOLTAGE
UNIVERSAL
LAMP HOLDERS**

Power-Trac®

L1700

