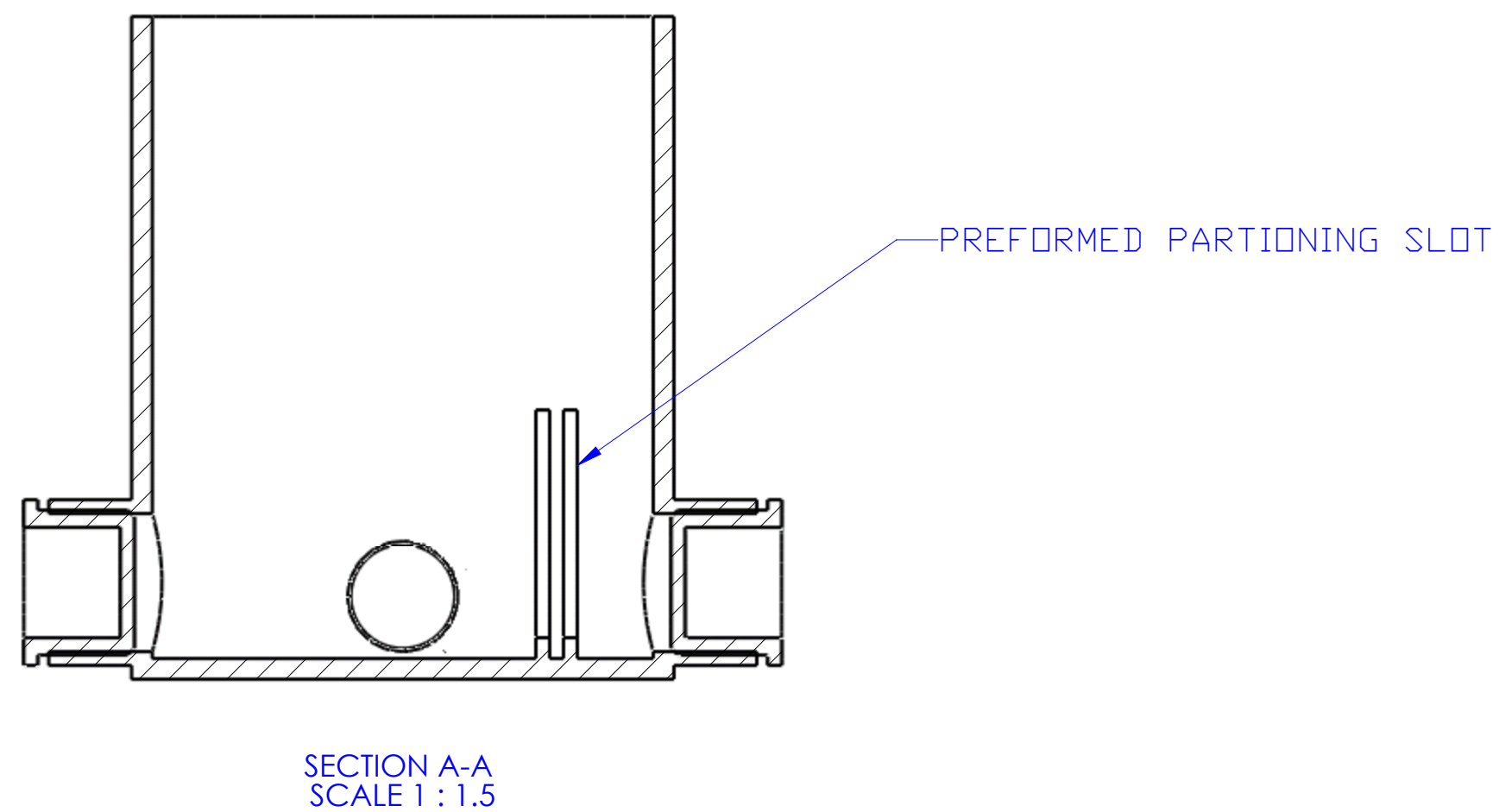
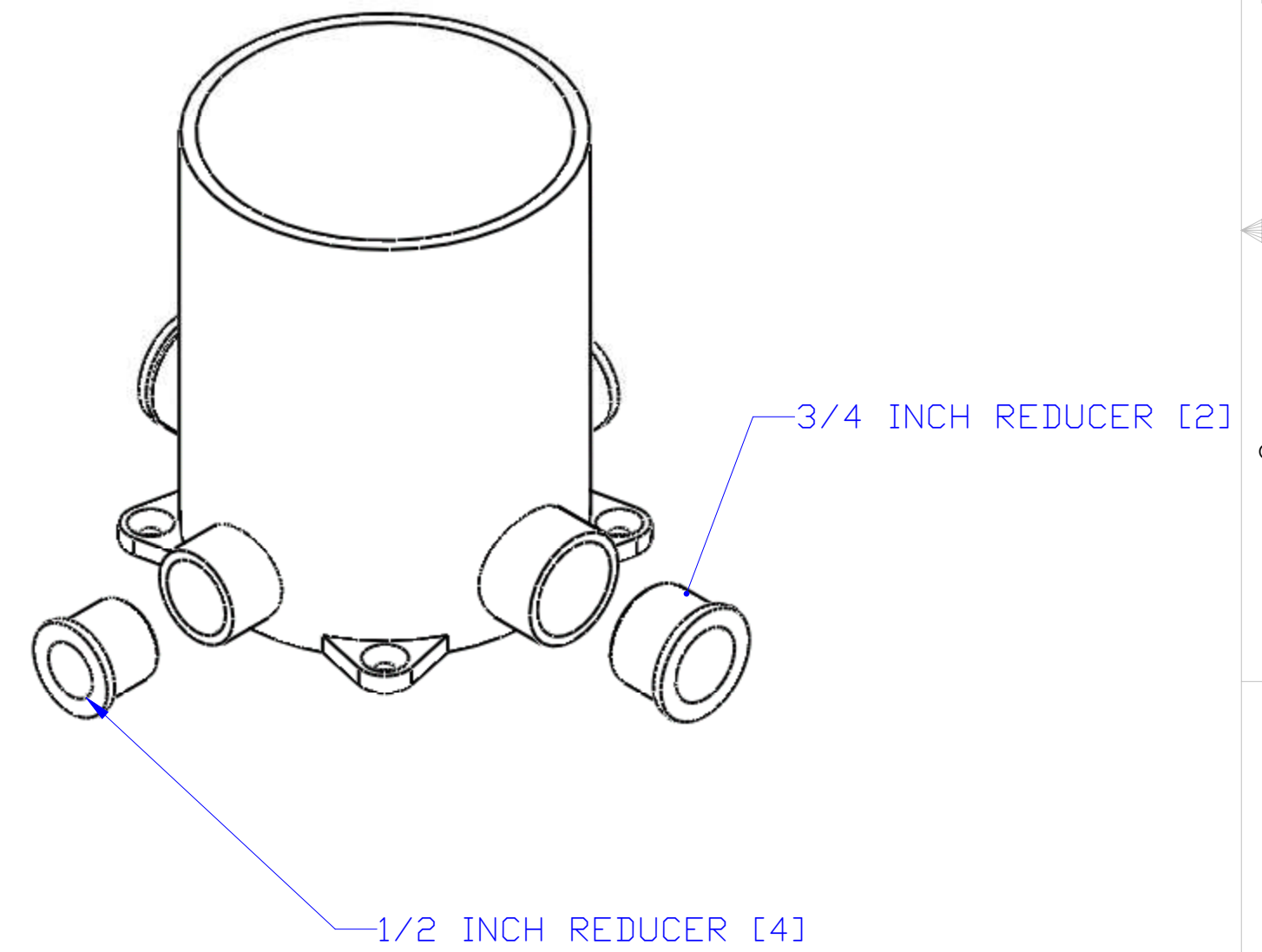
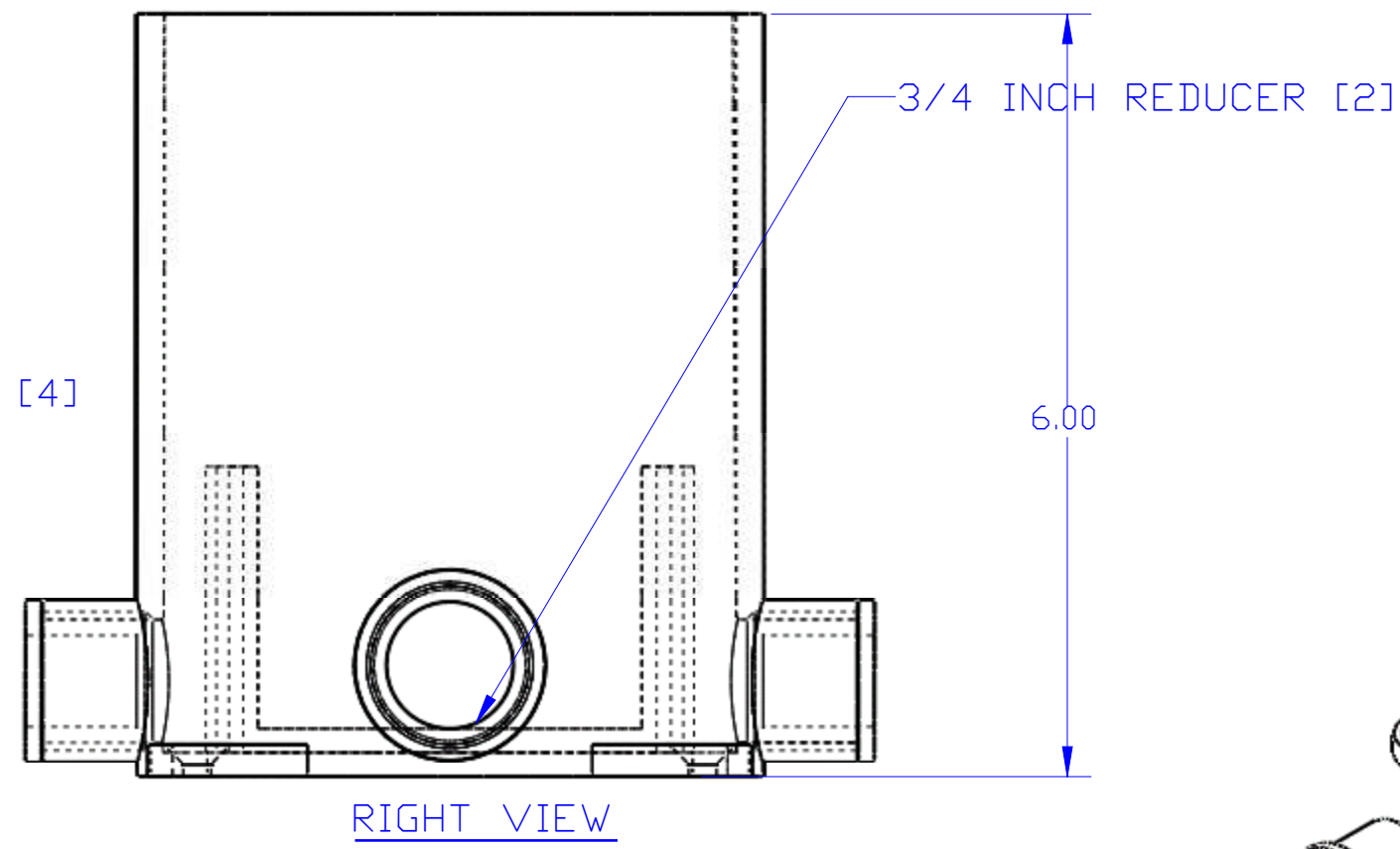
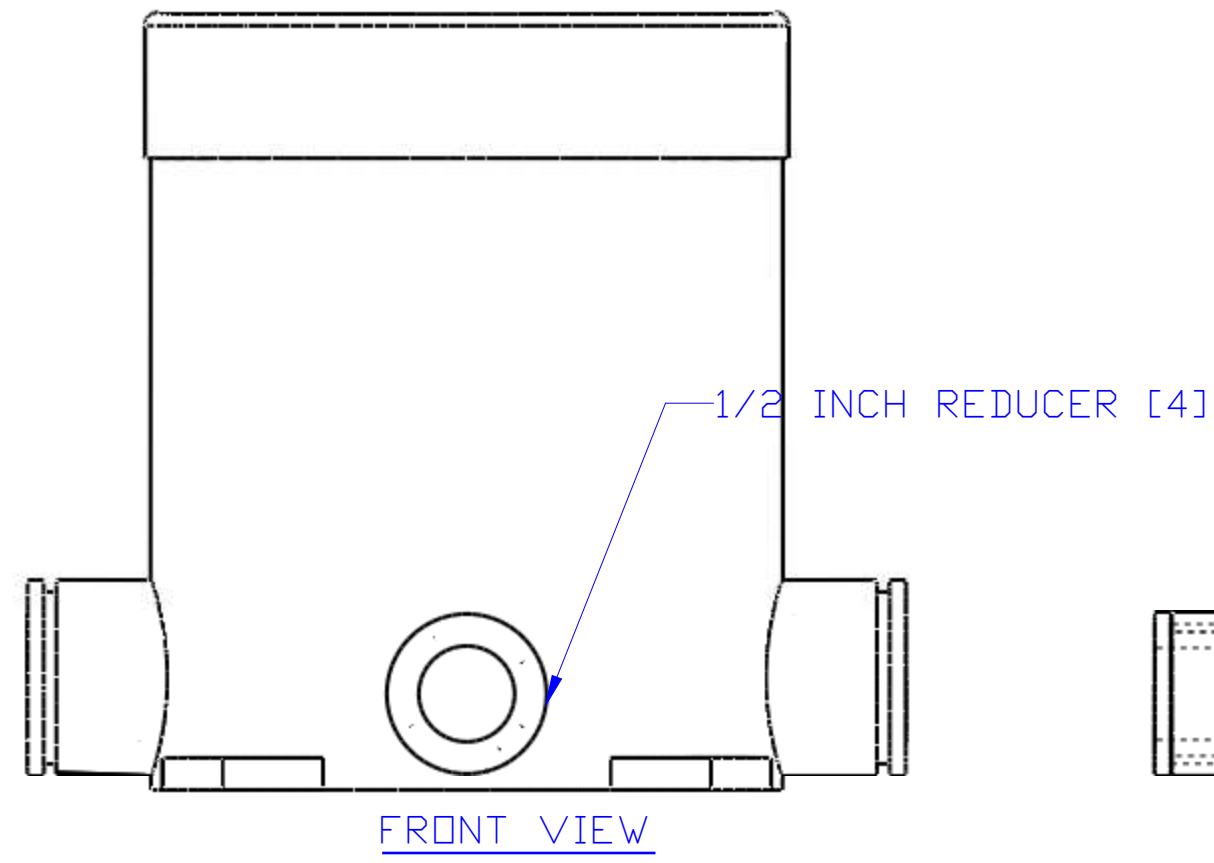
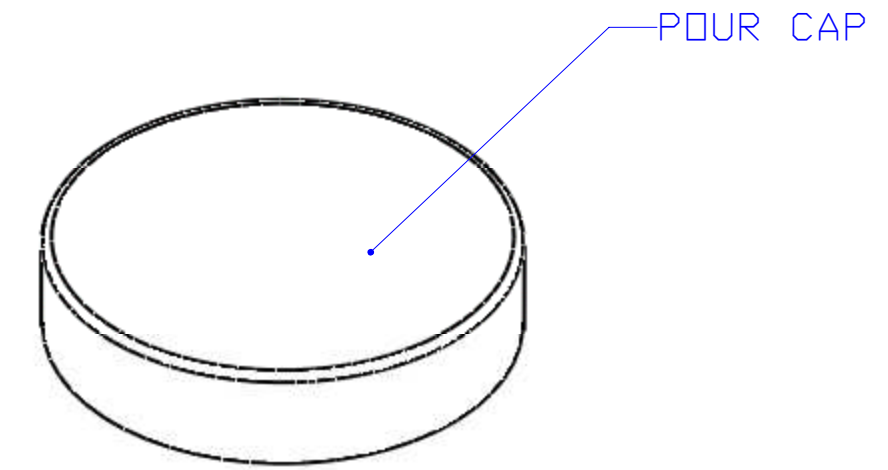
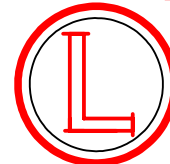


DESCRIPTION:
 ROUND PVC BOX WITH (4) 3/4" HUBS, (2) 1" HUBS, (2) 3/4" REDUCERS, 5" 6" 90 CU. IN. (15.5/IN.) (4) 1/2" REDUCERS, PRE-FORMED PARTITIONING SLOT (SLIDE NOT INCLUDED), ADAPTER RING NOT INCLUDED

NOTES: INTERIOR CAPACITY 90 Cu. In. (15.5/In.)





LEW ELECTRIC
FITTINGS COMPANY
 SERVING THE ELCTRICAL INDUSTRY SINCE 1901

1801 W. St. Charles Rd. Maywood, IL 60153
 PHONE: 708-345-2075

UNLESS OTHERWISE SPECIFIED:		NAME	DATE
DIMENSIONS ARE IN INCHES		DRAWN	P.J.G. 12/29/2007
TOLERANCES:		TITLE:	
FRACTIONAL: ±		FB	
ANGULAR: MACH ± BEND ±			
TWO PLACE DECIMAL ±			
THREE PLACE DECIMAL ±		SIZE DWG. NO. REV	
INTERPRET GEOMETRIC TOLERANCING PER:		C 100189 A	
MATERIAL		WEIGHT: SHEET 1 OF 7	
FINISH			
DO NOT SCALE DRAWING			