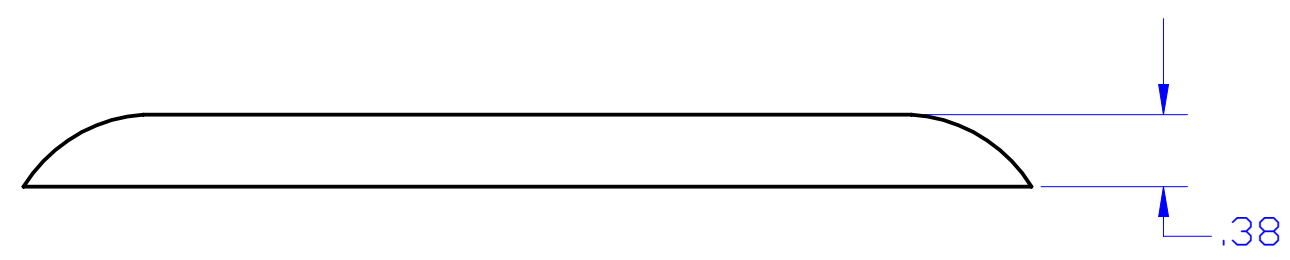
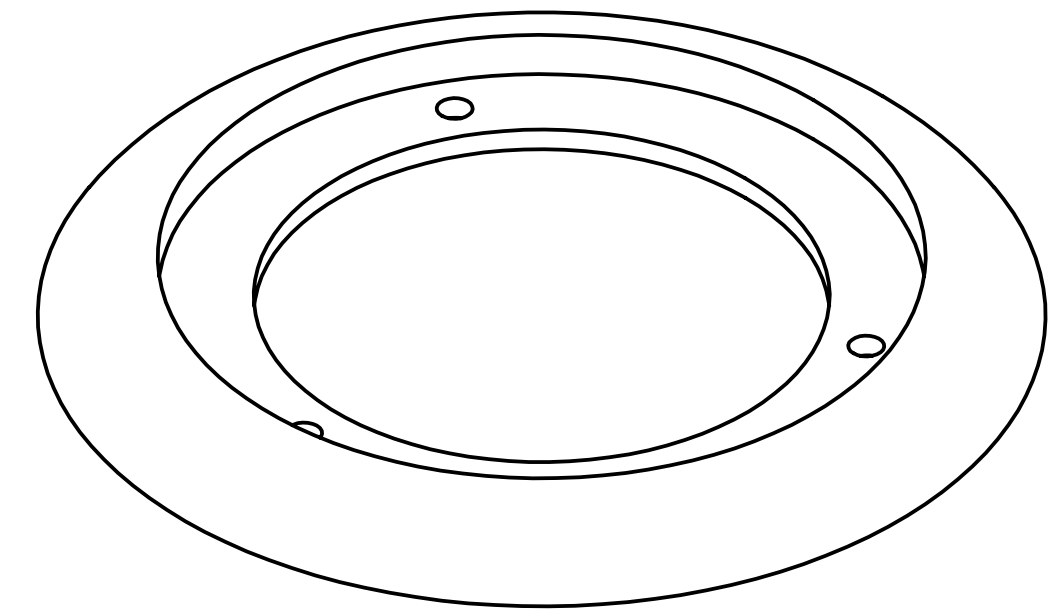
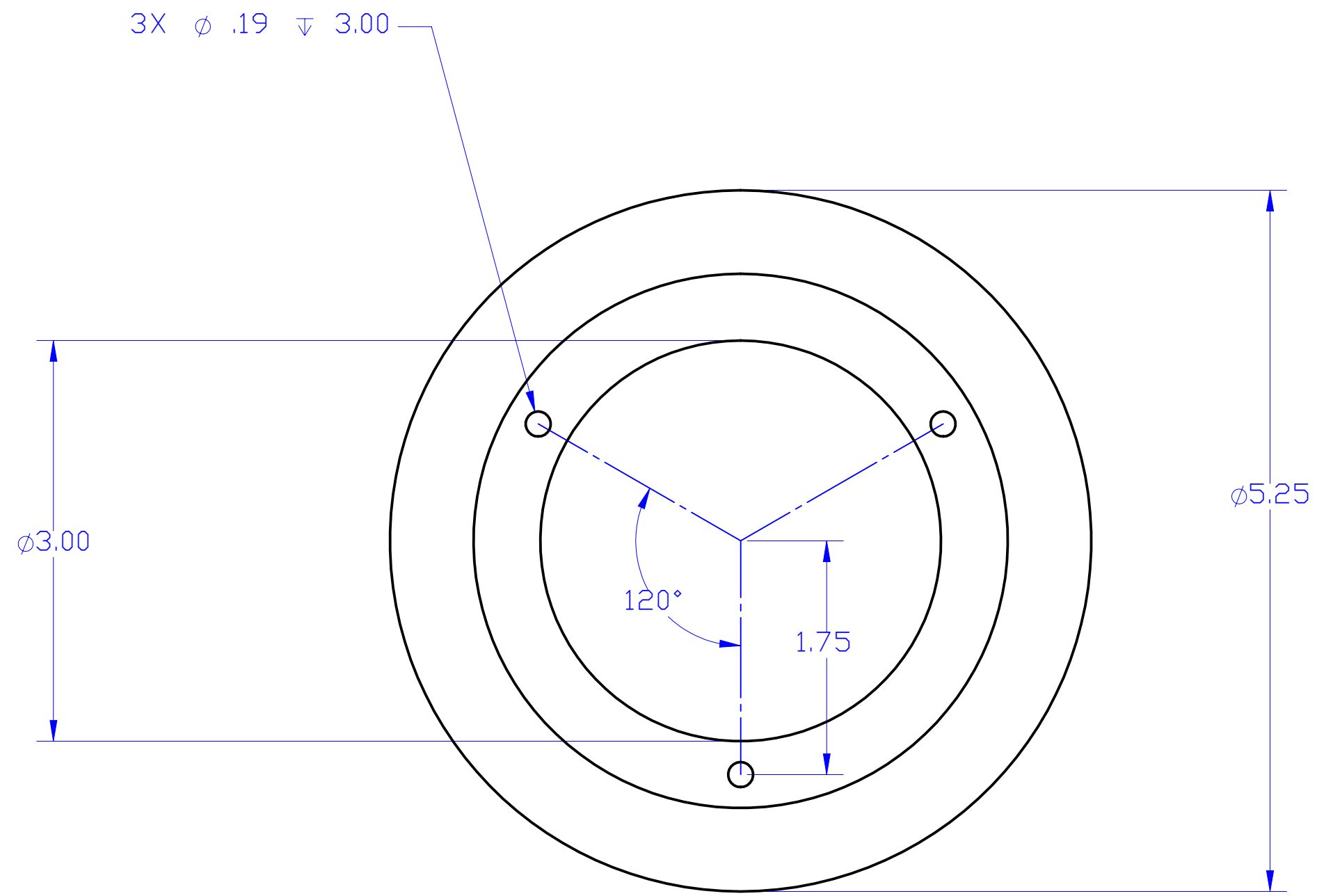


DESCRIPTION:
 ALUMINUM, FLANGE 5 1/4" DIAMETER
 [3] 8/32 X 1.23 MOUNTING SCREW INCLUDED



LEW ELECTRIC
FITTINGS COMPANY
 SERVING THE ELECTRICAL INDUSTRY SINCE 1901
 1801 W. St. Charles Rd. Maywood, IL 60153
 PHONE: 708-345-2075

UNLESS OTHERWISE SPECIFIED:	NAME	DATE	TITLE: SFC-1-A
DIMENSIONS ARE IN INCHES	DRAWN	P.J.G.	
TOLERANCES:			
FRACTIONAL: \pm			
ANGULAR: MACH \pm BEND \pm			
TWO PLACE DECIMAL \pm			
THREE PLACE DECIMAL \pm			
INTERPRET GEOMETRIC TOLERANCING PER:	COMMENTS:		
MATERIAL			
FINISH			
DO NOT SCALE DRAWING			
	SIZE	DWG. NO.	REV
	C	100158	A
	WEIGHT:	SHEET 8 OF 8	