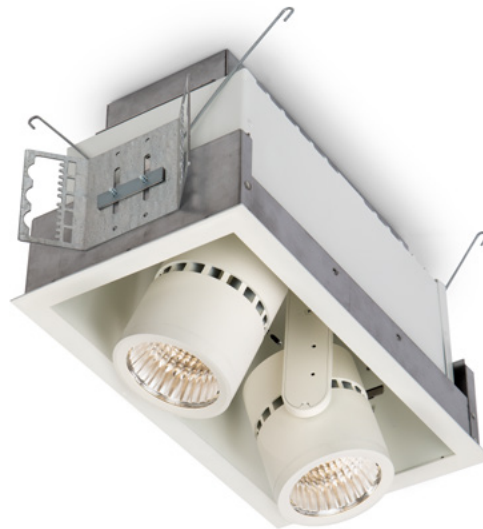


PHILIPS LIGHTOLIER

Track

Alcyon LED

Recessed Vertical Cylinder,
LLAVRM, 10W/600lm,
18W/1000lm, 32W/2000lm



Project: _____
Location: _____
Cat.No: _____
Type: _____
Lamps: _____ Qty: _____
Notes: _____

Alcyon LED Vertical Cylinders are ideal for display, accent and task lighting and offer higher efficiency than incandescent or halogen sources leading to energy savings with no ultraviolet or infrared radiation. Alcyon provides concentrated light which dramatically draws interest to objects and elements in a space.

Frame-in kit

example: LLAVRM11H2120

Series	Lumens	Heads	Voltage
LLAVRM	<input type="checkbox"/>	<input type="checkbox"/>	<input type="checkbox"/>
LLAVRM Alcyon LED Recessed Vertical Cylinder	11 600/1000lm 12 2000lm	H1 1 head H2 2 head H3 3 head H4 4 head	120 120V 277 277V

Fixture

example: LLAVRMWH1130H2

Series	Finish	Lumens	Lumens	Heads
LLAVRM	<input type="checkbox"/>	<input type="checkbox"/>	<input type="checkbox"/>	<input type="checkbox"/>
LLAVRM Alcyon LED Recessed Vertical Cylinder	WH White BK Black	01 600lm 11 1000lm 12 2000lm	27 2700K 30 3000K 40 4000K	H1 1 head H2 2 head H3 3 head H4 4 head

Reflector

example: LLAV12RNS

Series	Lumens	Reflector
LLAV	<input type="checkbox"/>	<input type="checkbox"/>
LLAV Alcyon LED Vertical Cylinder	11 600/1000lm 12 2000lm	RNS Narrow Spot RS Spot RNF Narrow flood RF Flood

Accessories

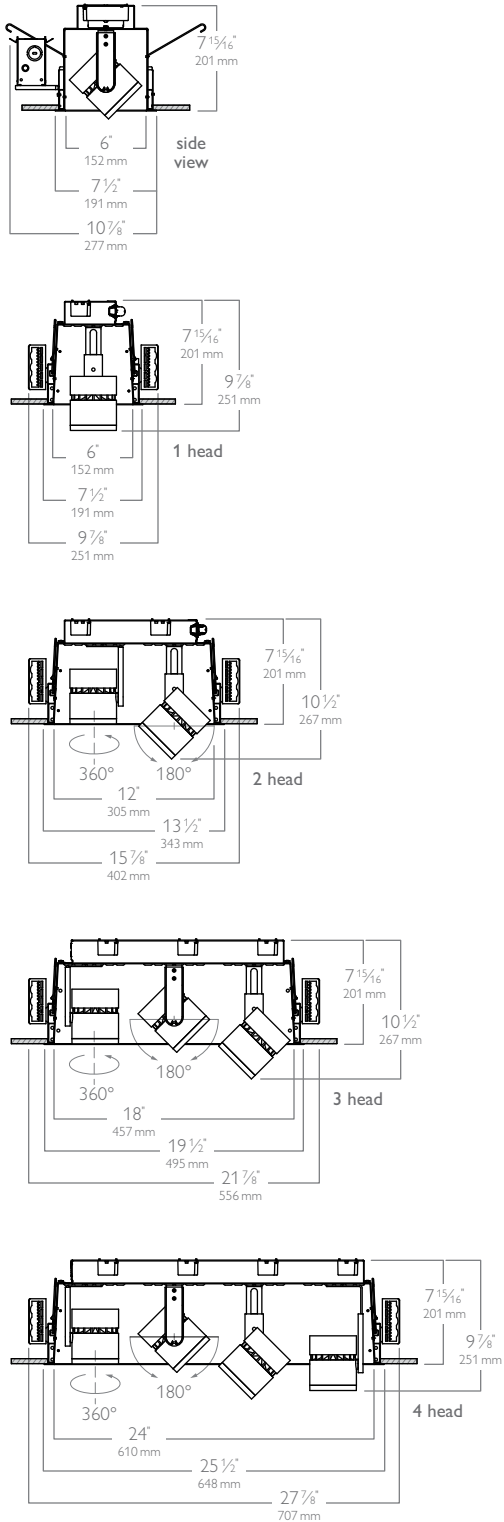
example: LLA11SNBK

Series	Finish
<input type="checkbox"/>	<input type="checkbox"/>
Accessory holder with spring LLAV11AH for 600/1000lm LLAV12AH for 2000lm	WH White BK Black
Snoot LLA11SN for 600/1000lm 23SNT6 for 2000lm	WH White BK Black
Diffusion filters LLAV11 for 600/1000lm LLAV12 for 2000lm	LS Linear Spread SY Symmetrical Spread SF Soft Focus FR Frosted Etched
Color filters/gels Compatible versions provided by others for 600/1000lm ADF4 for 2000lm or Color gels provided by others	
Hex cell louver (matte black) LLAHCA11 for 600/1000lm AL4HC for 2000lm	

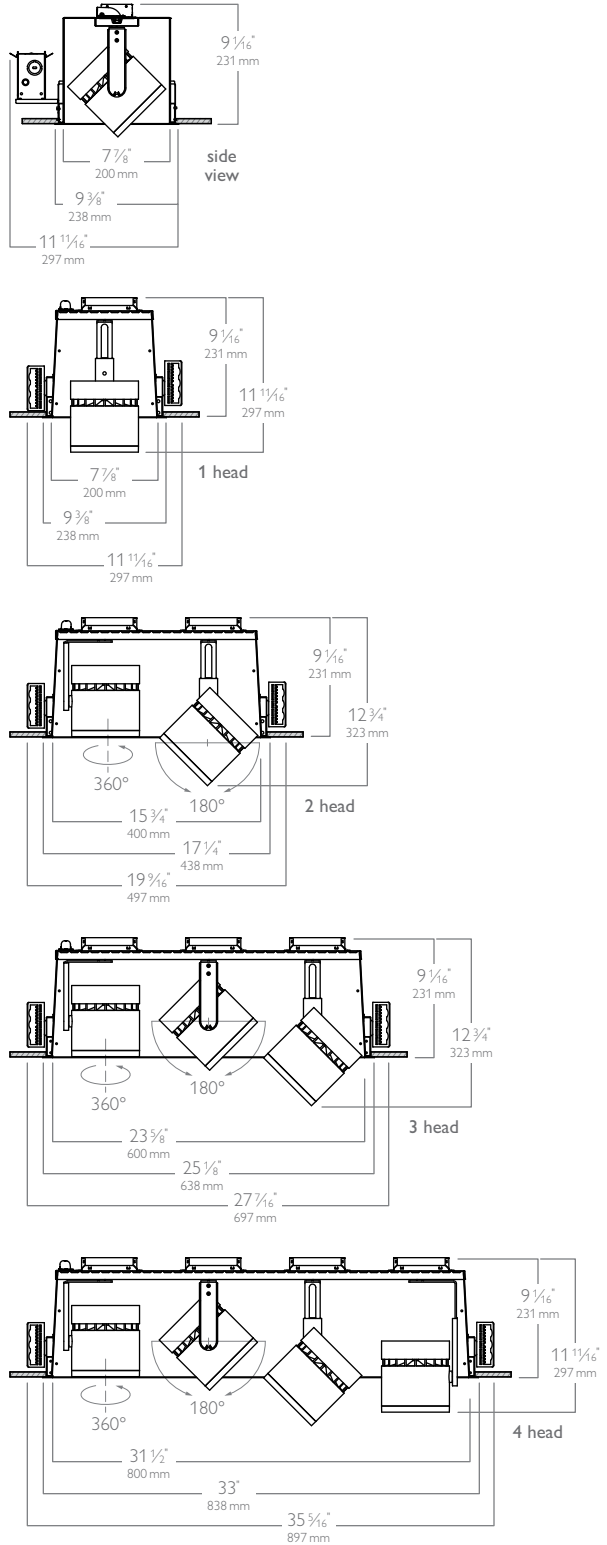
LLAVRM Alcyon LED

Recessed Vertical Cylinder, 10W/600 lm, 18W/1000 lm, 32W/2000 lm

600/1000lm



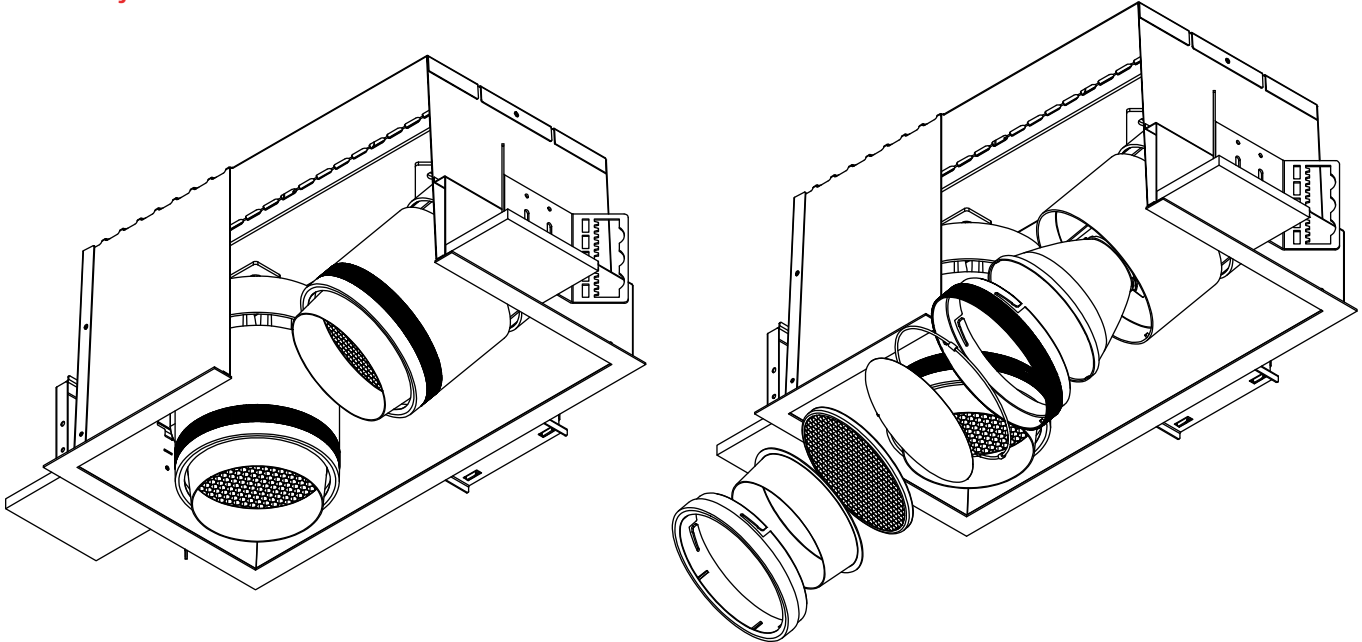
2000lm



LLAVRM Alcyon LED

Recessed Vertical Cylinder, 10W / 600 lm, 18W / 1000 lm, 32W / 2000 lm

Assembly



Accessories



Alcyon LED track lighting offers a full range of high performance accessories for tinting, coloring and shaping of the light beam. All accessories are designed to attach easily. A complete accessory consists of a size and series suffix.





Components

1. Frame-in kit
2. Trim kit
3. Reflector kit
4. Accessory holder*
5. Accessory spring*
6. Diffusion filter
7. Hex cell louver
8. Snoot
9. Aperture ring

* Accessory holder includes accessory spring (shown to left).

Diffusion/special filters

LLAV11 = 4 3/4" dia.

-  **LS** Linear spread lens
-  **FR** Frosted etched lens
-  **SF** Solite soft focus lens
-  **SY** Soft Focus lens

Hex cell louvers

LLAHCA11 = 4 3/4" dia.



LLAVRM Alcyon LED

Recessed Vertical Cylinder, 10W/600lm, 18W/1000lm, 32W/2000lm

Features

- LED Board:** COB LED (600/1000LM); 9 Tightly packed high brightness LED's (2000LM).
- Heat Sink:** Die-cast aluminum maintains LED junction temperature for minimum 50,000hr lifetime at 70% lumen maintenance.
- Finishes:** Painted finishes with a baked enamel. Contains some powder coated finishes.
- Heat Sink Arm:** Tool-less aiming with 360° horizontal rotation, 180° vertical tilt and a pull down adjustment from flush recessed to semi-recessed for optimal performance.
- Trim/Housing:** One part integrated system including a seamless flange (16ga powder coated steel), and pre-formed housing (22ga powder coated steel), with pre-wired integral driver(s).
- Frame with mounting brackets:** Mounting brackets are adjustable vertically from inside of Frame-in-kit. Maximum ceiling thickness is 1 5/8". Accepts various types of mounting bars including C-channel, EMT (contractor supplied) and Lightolier mounting bars (Cat. # 1950 or 1951). For use in T-grid or sheet rock ceiling. See page 2 for overall dimensions.
- Junction box:** 4" x 3 1/2" x 2"; .063" (14ga.) galvanized steel.
- Thermal Protector:** Meets NEC and UL requirements. Insulation must be kept 3" away from fixture sides and wiring compartments and must not be placed above fixture in a manner which will entrap heat.
- Luminaire Disconnect:** Power from Frame-in-kit to Trim/Housing connection with quick connect plug.
- Torsion Springs and Safety Springs:** Torsion Springs swivel to allow Trim/Housing to hang temporarily from one end to ease the process of making luminaire electrical connection complete. Safety Springs allow positive lock between Trim/Housing and Frame-in-kit for added security.
- Interchangeable Optics:** High efficiency metalized coating providing up to 98% total reflectivity for optimal light quality, beam control and punch. Reflector has lens attached which protects reflector finish and LEDs from contamination. Tool-less installation. Reflector sold separately to allow field replacement. Various combinations of beam angles could be achieved with 4 optic offerings.

Dimming

10W/600lm: ELV dimming compatible.
18W/1000lm: ELV dimming compatible.
32W/2000lm: Z10V dimming compatible.

Electrical

Electronic power supply
Input voltage: 120/277V, 50/60Hz
Input power:
600lm: 10W/11W (estimated)
1000lm: 18W/19W (estimated)
2000lm: 32W/32W (estimated)
High power factor: >0.9
CRI: 80-85 (typical)

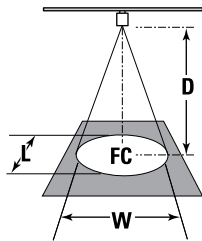
Labels

cULus Listed.
 Suitable for damp location (pending).
 Energy Star certified (pending).
 Title 24 (pending).
 Accessories are not Energy Star qualified.
 5 year warranty.

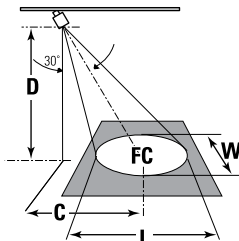
Aiming angle

L and **W** are the outer points where the candle power drops to 50% of the maximum.
FC are the initial footcandles at the center of the beam. Data shown is for 3000K, for 2700K multiply **FC** by 0.91.

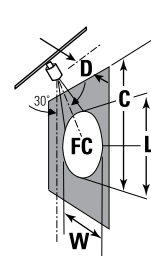
L = Beam length **FC** = Footcandles
W = Beam width **C** = Distance to
D = Distance center beam
A = Aiming angle **CBCP**=Center Beam
 Candle Power



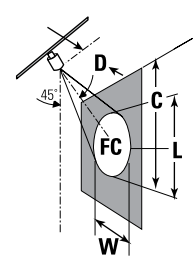
0° horizontal aiming angle



30° horizontal aiming angle



30° vertical aiming angle



45° vertical aiming angle

	Beam spread (To 50% CBCP)	CBCP	Rated Life (Hrs.)	0° horizontal aiming angle					30° horizontal aiming angle					30° vertical aiming angle					45° vertical aiming angle				
				D	C	FC	L	W	D	C	FC	L	W	D	C	FC	L	W	D	C	FC	L	W
LLAVRM01RNS Narrow Spot	11°	12,284	50,000	8' 0.0'	0.0'	192	1.5'	1.5'	8' 4.6'	4.6'	125	2.1'	1.8'	4' 6.9'	6.9'	96	3.2'	1.5'	5' 5.0'	5.0'	174	1.9'	1.4'
				10' 0.0'	0.0'	123	1.9'	1.9'	10' 5.8'	5.8'	80	2.6'	2.2'	5' 8.7'	8.7'	61	4.0'	1.9'	6' 6.0'	6.0'	121	2.3'	1.6'
LLAVRM01RS Spot	18°	5,098	50,000	12' 0.0'	0.0'	85	2.3'	2.3'	12' 6.9'	6.9'	55	3.1'	2.7'	6' 10.4'	10.4'	43	4.8'	2.3'	7' 7.0'	7.0'	89	2.7'	1.9'
				14' 0.0'	0.0'	63	2.7'	2.7'	14' 8.1'	8.1'	41	3.6'	3.1'	7' 12.1'	12.1'	31	5.5'	2.7'	8' 8.0'	8.0'	68	3.1'	2.2'
LLAVRM01RNF Narrow Flood	24°	3,292	50,000	6' 0.0'	0.0'	142	1.9'	1.9'	6' 3.5'	3.5'	92	2.6'	2.2'	2' 3.5'	3.5'	159	2.7'	1.3'	3' 3.0'	3.0'	200	1.9'	1.3'
				8' 0.0'	0.0'	80	2.5'	2.5'	8' 4.6'	4.6'	52	3.4'	2.9'	3' 5.2'	5.2'	71	4.1'	1.9'	4' 4.0'	4.0'	113	2.6'	1.8'
LLAVRM01RF Flood	35°	1,961	50,000	10' 0.0'	0.0'	51	3.4'	3.4'	10' 5.8'	5.8'	33	4.3'	3.7'	4' 6.9'	6.9'	40	5.5'	2.5'	5' 5.0'	5.0'	72	3.2'	2.2'
				12' 0.0'	0.0'	33	4.3'	4.3'	12' 6.9'	6.9'	23	5.1'	4.4'	5' 8.7'	8.7'	25	6.9'	3.2'	6' 6.0'	6.0'	50	3.9'	2.7'
LLAVRM01RF Flood	35°	1,961	50,000	6' 0.0'	0.0'	91	2.6'	2.6'	6' 3.5'	3.5'	59	3.5'	2.9'	2' 3.5'	3.5'	103	3.9'	1.7'	3' 3.0'	3.0'	129	2.7'	1.8'
				8' 0.0'	0.0'	51	3.4'	3.4'	8' 4.6'	4.6'	33	4.6'	3.9'	3' 5.2'	5.2'	46	5.9'	2.6'	4' 4.0'	4.0'	73	3.6'	2.4'
LLAVRM01RF Flood	35°	1,961	50,000	10' 0.0'	0.0'	33	4.3'	4.3'	10' 5.8'	5.8'	21	5.8'	4.9'	4' 6.9'	6.9'	26	7.9'	3.4'	5' 5.0'	5.0'	47	4.5'	3.0'
				12' 0.0'	0.0'	23	5.1'	5.1'	12' 6.9'	6.9'	15	6.9'	5.9'	5' 8.7'	8.7'	16	9.8'	4.3'	6' 6.0'	6.0'	32	5.3'	3.6'
LLAVRM01RF Flood	35°	1,961	50,000	5' 0.0'	0.0'	78	3.2'	3.2'	5' 2.9'	2.9'	51	4.8'	3.6'	2' 3.5'	3.5'	61	7.2'	2.5'	3' 3.0'	3.0'	77	4.2'	2.7'
				7' 0.0'	0.0'	40	4.4'	4.4'	7' 4.0'	4.0'	26	6.1'	5.1'	4' 6.9'	6.9'	15	14.4'	5.0'	5' 5.0'	5.0'	28	7.0'	4.5'
LLAVRM01RF Flood	35°	1,961	50,000	8' 0.0'	0.0'	31	5.0'	5.0'	8' 4.6'	4.6'	20	7.0'	5.8'	5' 8.7'	8.7'	10	18.0'	6.3'	6' 6.0'	6.0'	19	8.4'	5.4'

All testing based on single head configurations.

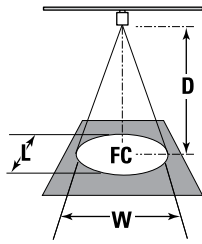
LLAVRM Alcyon LED

Recessed Vertical Cylinder, 10W/600lm, 18W/1000lm, 32W/2000lm

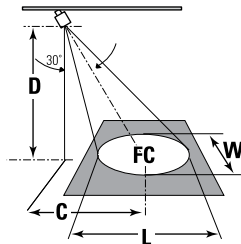
Aiming angle

L and W are the outer points where the candle power drops to 50% of the maximum.
 FC are the initial footcandles at the center of the beam. Data shown is for 3000K, for 2700K multiply FC by 0.91.

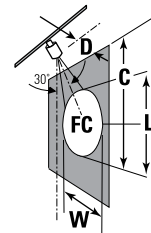
L = Beam length
 W = Beam width
 D = Distance
 A = Aiming angle
 FC = Footcandles
 C = Distance to center beam
 CBCP = Center Beam Candle Power



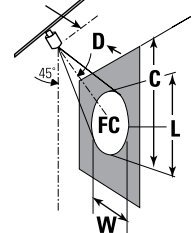
0° horizontal aiming angle



30° horizontal aiming angle



30° vertical aiming angle



45° vertical aiming angle

	Beam spread (To 50% CBCP)	CBCP	Rated Life (Hrs.)	D	C	FC	L	W	D	C	FC	L	W	D	C	FC	L	W	D	C	FC	L	W	
LLAVRM11RNS Narrow Spot	10°	21,751	50,000	12' 0.0'	0.0'	151	2.1'	2.1'	12' 6.9'	98	2.8'	2.4'	5' 8.7'	109	3.6'	1.7'	6' 6.0'	214	2.1'	1.5'				
				14' 0.0'	0.0'	111	2.4'	2.4'	14' 8.1'	72	3.3'	2.8'	6' 10.4'	76	4.3'	2.1'	7' 7.0'	157	2.5'	1.7'				
				16' 0.0'	0.0'	85	2.8'	2.8'	16' 9.2'	55	3.7'	3.2'	7' 12.1'	55	5.0'	2.4'	8' 8.0'	120	2.8'	2.0'				
				18' 0.0'	0.0'	67	3.1'	3.1'	18' 10.4'	44	4.2'	3.6'	8' 13.9'	42	5.7'	2.8'	9' 9.0'	95	3.2'	2.2'				
LLAVRM11RS Spot	18°	8,276	50,000	6' 0.0'	0.0'	230	1.9'	1.9'	6' 3.5'	149	2.6'	2.2'	2' 3.5'	259	2.7'	1.3'	3' 3.0'	325	1.9'	1.3'				
				8' 0.0'	0.0'	129	2.5'	2.5'	8' 4.6'	84	3.4'	2.9'	3' 5.2'	115	4.1'	1.9'	4' 4.0'	183	2.6'	1.8'				
				10' 0.0'	0.0'	83	3.2'	3.2'	10' 5.8'	54	4.3'	3.7'	4' 6.9'	65	5.5'	2.5'	5' 5.0'	117	3.2'	2.2'				
				12' 0.0'	0.0'	57	3.8'	3.8'	12' 6.9'	37	5.1'	4.4'	5' 8.7'	41	6.9'	3.2'	6' 6.0'	81	3.9'	2.7'				
LLAVRM11RNF Narrow Flood	24°	5,051	50,000	6' 0.0'	0.0'	140	2.6'	2.6'	6' 3.5'	91	3.5'	2.9'	2' 3.5'	158	3.9'	1.7'	3' 3.0'	198	2.7'	1.8'				
				8' 0.0'	0.0'	79	3.4'	3.4'	8' 4.6'	51	4.6'	3.9'	3' 5.2'	70	5.9'	2.6'	4' 4.0'	112	3.6'	2.4'				
				10' 0.0'	0.0'	51	4.3'	4.3'	10' 5.8'	33	5.8'	4.9'	4' 6.9'	39	7.9'	3.4'	5' 5.0'	71	4.5'	3.0'				
				12' 0.0'	0.0'	35	5.1'	5.1'	12' 6.9'	23	6.9'	5.9'	5' 8.7'	25	9.8'	4.3'	6' 6.0'	50	5.3'	3.6'				
LLAVRM11RF Flood	35°	3,006	50,000	5' 0.0'	0.0'	120	3.2'	3.2'	5' 2.9'	78	4.3'	3.6'	2' 3.5'	94	7.2'	2.5'	3' 3.0'	118	4.2'	2.7'				
				6' 0.0'	0.0'	84	3.8'	3.8'	6' 3.5'	54	5.2'	4.4'	3' 5.2'	42	10.8'	3.8'	4' 4.0'	66	5.6'	3.6'				
				7' 0.0'	0.0'	61	4.4'	4.4'	7' 4.0'	40	6.1'	5.1'	4' 6.9'	23	14.4'	5.0'	5' 5.0'	43	7.0'	4.5'				
				8' 0.0'	0.0'	47	5.0'	5.0'	8' 4.6'	31	7.0'	5.8'	5' 8.7'	15	18.0'	6.3'	6' 6.0'	30	8.4'	5.4'				
LLAVRM12RNS Narrow Spot	11°	35,731	50,000	16' 0.0'	0.0'	140	3.1'	3.1'	16' 9.2'	91	4.1'	3.6'	7' 12.1'	91	5.5'	2.7'	7' 7.0'	258	2.7'	1.9'				
				18' 0.0'	0.0'	110	3.5'	3.5'	18' 10.4'	72	4.6'	4.0'	8' 13.9'	70	6.3'	3.1'	8' 8.0'	197	3.1'	2.2'				
				20' 0.0'	0.0'	89	3.9'	3.9'	20' 11.5'	58	5.2'	4.4'	9' 15.6'	55	7.1'	3.5'	9' 9.0'	156	3.5'	2.5'				
				22' 0.0'	0.0'	74	4.2'	4.2'	22' 12.7'	48	5.7'	4.9'	10' 17.3'	45	7.9'	3.9'	10' 10.0'	126	3.9'	2.7'				
LLAVRM12RS Spot	17°	16,545	50,000	10' 0.0'	0.0'	165	3.0'	3.0'	10' 5.8'	107	4.0'	3.5'	4' 6.9'	129	5.1'	2.4'	5' 5.0'	234	3.1'	2.1'				
				12' 0.0'	0.0'	115	3.6'	3.6'	12' 6.9'	75	4.8'	4.1'	5' 8.7'	83	6.4'	3.0'	6' 6.0'	162	3.7'	2.5'				
				14' 0.0'	0.0'	84	4.2'	4.2'	14' 8.1'	55	5.6'	4.8'	6' 10.4'	57	7.7'	3.6'	7' 7.0'	119	4.3'	3.0'				
				16' 0.0'	0.0'	65	4.8'	4.8'	16' 9.2'	42	6.4'	5.5'	7' 12.1'	42	9.0'	4.2'	8' 8.0'	91	4.9'	3.4'				
LLAVRM12RNF Narrow Flood	24°	9,947	50,000	8' 0.0'	0.0'	155	3.4'	3.4'	8' 4.6'	101	4.6'	3.9'	3' 5.2'	138	5.9'	2.6'	4' 4.0'	220	3.6'	2.4'				
				10' 0.0'	0.0'	99	4.3'	4.3'	10' 5.8'	65	5.8'	4.9'	4' 6.9'	78	7.9'	3.4'	5' 5.0'	141	4.5'	3.0'				
				12' 0.0'	0.0'	69	5.1'	5.1'	12' 6.9'	45	6.9'	5.9'	5' 8.7'	50	9.8'	4.3'	6' 6.0'	98	5.3'	3.6'				
				14' 0.0'	0.0'	51	6.0'	6.0'	14' 8.1'	33	8.1'	6.9'	6' 10.4'	35	11.8'	5.1'	7' 7.0'	72	6.2'	4.2'				
LLAVRM12RF Flood	35°	5,581	50,000	6' 0.0'	0.0'	155	3.8'	3.8'	6' 3.5'	101	5.2'	4.4'	2' 3.5'	174	7.2'	2.5'	3' 3.0'	219	4.2'	2.7'				
				8' 0.0'	0.0'	87	5.0'	5.0'	8' 4.6'	57	7.0'	5.8'	3' 5.2'	78	10.8'	3.8'	4' 4.0'	123	5.6'	3.6'				
				10' 0.0'	0.0'	56	6.3'	6.3'	10' 5.8'	36	8.7'	7.3'	4' 6.9'	44	14.4'	5.0'	5' 5.0'	79	7.0'	4.5'				
				12' 0.0'	0.0'	39	7.6'	7.6'	12' 6.9'	25	10.4'	8.7'	5' 8.7'	28	18.0'	6.3'	6' 6.0'	55	8.4'	5.4'				

All testing based on single head configurations.

© 2015 Koninklijke Philips N.V. All rights reserved.
 Philips reserves the right to make changes in specifications and/or to discontinue any product at any time without notice or obligation and will not be liable for any consequences resulting from the use of this publication.



Philips Lighting, North America Corporation
 200 Franklin Square Drive, Somerset, NJ 08873
 Tel. 855-486-2216

Philips Lighting Canada Ltd.
 281 Hillmount Road, Markham, ON, Canada L6C 2S3
 Tel. 800-668-9008