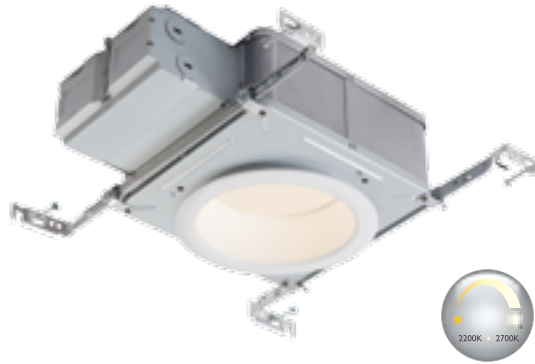


# PHILIPS LIGHTOLIER

## Downlighting

### LyteCaster

5" Round downlight,  
DimTone,  
700 lumens



Project: \_\_\_\_\_  
 Location: \_\_\_\_\_  
 Cat.No: \_\_\_\_\_  
 Type: \_\_\_\_\_  
 Lamps: \_\_\_\_\_ Qty: \_\_\_\_\_  
 Notes: \_\_\_\_\_

Philips Lightolier LyteCaster LED Downlights with DimTone, a warm dimming effect from 2700K-2200K, provide an alternative to a BR30 65W incandescent luminaire. The 3.5" luminaire height conserves plenum space without compromising the 70° physical and reflected cutoff.

**Complete product = Frame-in kit + Light engine + Trim Order each separately**

#### Ordering guide: Frame-In kit

Example: L5RAEWG1

Series	Frame type	Dimming	Input voltage
<b>L5R</b>		<b>EWG</b>	<b>1</b>
L5R LyteCaster 5" Round	<b>A</b> AirSeal IC, New Construction, Screw <b>AN</b> AirSeal IC, New Construction, Nail	<b>EWG</b> ELV/Triac DimTone	<b>1</b> 120V

#### Ordering guide: Light engine

Example: L5R078WG

Series	Lumens	CRI	CCT
<b>L5R</b>	<b>07</b>	<b>8</b>	<b>WG</b>
L5R LyteCaster 5" Round	<b>07</b> 700	<b>8</b> 80	<b>WG</b> 2700-2200K

#### Ordering guide: Trim

Example: L5RDW

Series	Luminaire type	Finish
<b>L5R</b>		
L5R LyteCaster 5" Round	<b>D</b> Open Downlight	<b>D</b> Clear diffuse (with white flange) <b>W</b> White (with white flange)
	<b>B</b> Baffle Downlight	<b>W</b> White (with white flange)

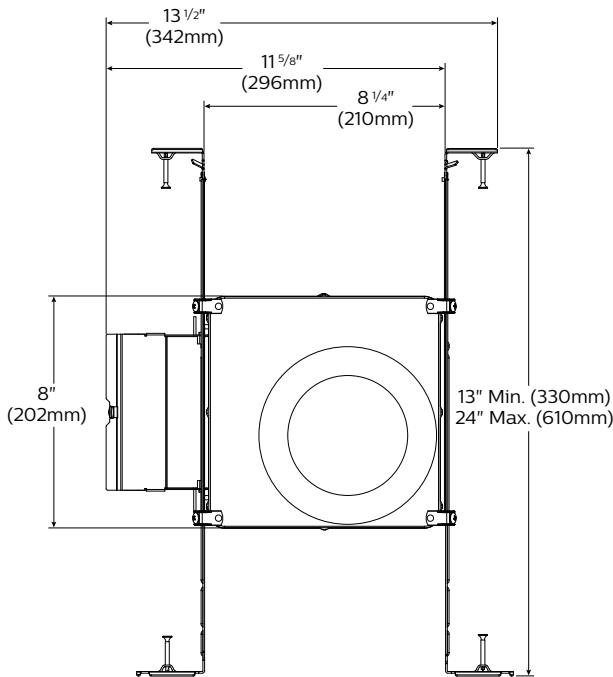


# L5R LyteCaster 5" Round with DimTone

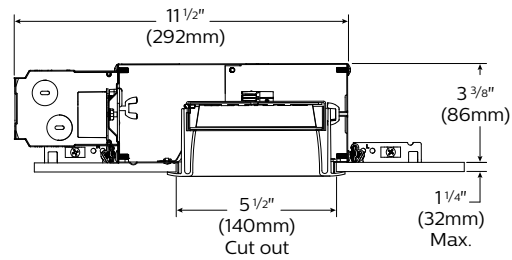
General purpose downlight, 700 lumens

## Frame-in kit

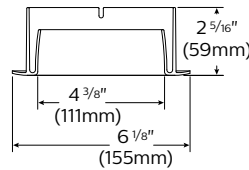
Bottom view



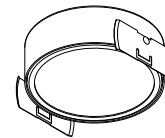
Side view



Downlight trim



Light engine



## Features

- Housing:** .026" galvanized steel. UL listed for direct contact with thermal insulation. Airseal® housing minimizes air leakage to less than 2 CFM at 1.57PSF (or 75PA), which complies with Title 24, the International Energy Conservation Code, and Washington State Energy Code (Section 502.4). This reduces heat loss and condensation in ceiling. Access door for inspection of junction box.
- Lower frame and top cover:** .026" galvanized steel. Accommodates ceilings up to 1 1/4" (32mm) thick. 3/8" (9.5mm) deep integral lip with four notches at 90° apart to simplify alignment. Locks into position along length of mounting bars with locking screws.
- Junction Box:** 2.5" X 5 3/8" X 2" (27 cu. in) .032" galvanized steel. UL listed 90° supply conductors. Rated for branch circuit wiring supplying connected luminaires (daisy chaining).
- Retaining clips:** Permit easy and fast installation of light engine/trim.
- Mounting bars:** .059" galvanized steel. Bars pivot for easy attachment and wire-in below ceiling line. Bars extend to accommodate 16" (406mm) to 24" (610mm) O.C. joist spacing. Bars can accommodate 12" (305mm) O.C. joist spacing after a slight field modification (see Instruction sheet). Features integral self tapping phillips/square drive screws for secure attachment to wood or metal construction. Also available with integral nails. Attaches to T-bar ceilings without the need of accessories. Bars installed on shortest dimension of frame, but can be easily repositioned 90 degrees from original position.

- Driver:** ELV/Triac: 120V, 50/60Hz. RoHS compliant, Class 2 power supply. Complies with FCC rules per Title 47 Part 15 (Class B) for EMI/RFI (conducted & radiated). Class A sound rating.
- Ceiling cutout:** 5 1/2" (140mm).

## Options and Accessories

For fire rated box accessory, use Fireline:

<b>16FR2X10</b>	16" on center 2x10 construction
<b>16FR2X6</b>	16" on center 2x6 construction

See Fireline spec sheets for more information.

## Electrical

**Lifetime:** Expected lifetime 50,000 hours and backed by a 5-year warranty. (see Philips.com/warranties for details)

## Recommended dimmers

See LED-DIM Specification Sheet.

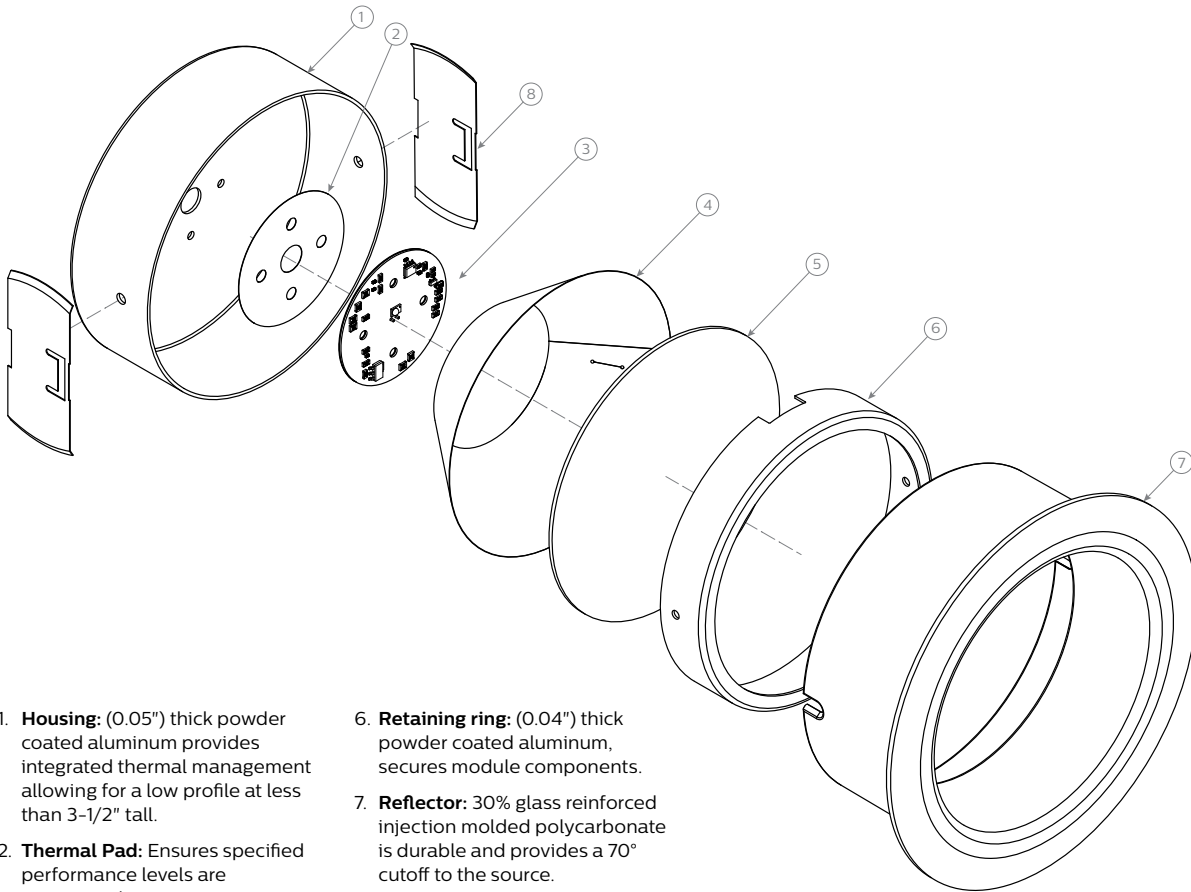
## Labels

cULus Listed Type I.C., frames are suitable for damp location. Trims are cULus suitable for wet location (no shower lens unit required). Complies with Air Leakage.

# L5R LyteCaster 5" Round with DimTone

General purpose downlight, 700 lumens

## Reflector: Round downlight



- 1. Housing:** (0.05") thick powder coated aluminum provides integrated thermal management allowing for a low profile at less than 3-1/2" tall.
- 2. Thermal Pad:** Ensures specified performance levels are maintained.
- 3. LED board:** Transitions from 2700K to 2000K at full dim level.
- 4. Mixing chamber:** 98% reflective, highly diffuse film.
- 5. Diffusion lens:** (0.06") thick acrylic frosted lens, balances light transmission and an even source of illumination.
- 6. Retaining ring:** (0.04") thick powder coated aluminum, secures module components.
- 7. Reflector:** 30% glass reinforced injection molded polycarbonate is durable and provides a 70° cutoff to the source.
- 8. Retaining clips:** 29 gauge Stainless Steel, allows tool-less installation of light engine to trim.

## Electrical

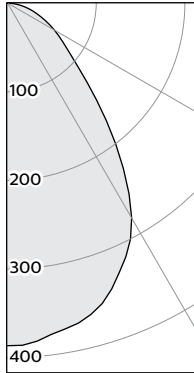
Screw / Nail Frame-in kit Electrical specifications	Input volts	Input freq.	Input current	LED drive current	Input power	LED power	THD factor	Power factor
L5RAEWG1	120V	60Hz	0.11A	450mA	13W	10W	<20%	>0.9

# L5R LyteCaster 5" Round with DimTone

General purpose downlight, 700 lumens

## 80 CRI, 700 lumens

### Candela Curves



Angle	Mean CP	Lumens
0	386	
5	383	36
10	373	
15	364	102
20	343	
25	316	145
30	280	
35	228	142
40	174	
45	127	100
50	95	
55	76	69
60	61	
65	47	47
70	35	
75	25	26
80	15	
85	6	7
90	0	

### Single unit data

Height to Lighted Plane	Initial Center Beam Foot-Candles	Beam Dia. (ft)*
5'	15	5.5'
6'	11	6.6'
7'	8	7.7'
8'	6	8.8'
9'	5	9.9'

\* Beam diameter is where foot-candles drop to 50% of maximum.

### Multiple unit data - RCR 2

Spacing on center	Initial Center Beam Foot-Candles	Watts per Sq. Ft.
5'	28.4	0.55
6'	18.7	0.36
7'	13.3	0.26
8'	11.1	0.21
9'	8.9	0.17

38'x38'x10' Room, Workplane 2.5' above floor, 80/50/20% Reflectances

### Coefficients of utilization

Ceiling	80%				70%		50%		30%		0%
Wall	70	50	30	10	50	10	50	10	50	10	0
RCR	Zonal cavity method - Effective floor reflectance = 20%										
Room Cavity Ratio	0	1	2	3	4	5	6	7	8	9	10
	119	119	119	119	116	116	111	111	106	106	100
	111	107	103	100	104	98	100	95	96	92	88
	102	95	90	85	94	84	90	82	87	80	76
	95	86	79	73	84	73	81	71	79	70	67
	88	78	70	64	76	64	74	63	72	62	60
	82	71	63	57	70	57	68	56	66	56	53
	76	65	57	51	64	51	62	51	61	50	48
	72	60	52	46	59	46	57	46	56	46	43
	67	55	47	42	54	42	53	42	52	42	40
	63	51	44	39	50	38	49	38	48	38	36
	59	47	40	36	47	35	46	35	45	35	33

### Zonal lumens & percentages

Zone	Lumens	%Luminaire
0-30	283	42.0%
0-40	424	62.9%
0-60	593	88.0%
0-90	674	100.0%

Frame: L5RAEWG1  
Light engine: L5R078WG  
Trim: L5RDW

Report no<sup>3</sup>: 463GFR

Output lumens: 674lm  
Input Watts: 12.3W  
Spacing Criterion: 1.1

Efficacy: 54.8lm/W  
CCT<sup>2</sup>: 2700K  
CRI: ≥80

1. Wattage: controlled to within ± 5%
2. Correlated Color Temperature: within specs as defined in ANSI\_NEMA\_ANSLG C78.377-2008: Specifications for the Chromaticity of Solid State Lighting Products.
3. Tested using absolute photometry as specified in LM79: IESNA Approved Method for the Electrical and Photometric Measurements of Solid-State Lighting Products.

© 2015 Koninklijke Philips N.V. All rights reserved.  
Philips reserves the right to make changes in specifications and/or to discontinue any product at any time without notice or obligation and will not be liable for any consequences resulting from the use of this publication.  
philips.com/luminaires



Philips Lighting, North America Corporation  
200 Franklin Square Drive, Somerset, NJ 08873  
Tel. 855-486-2216

Philips Lighting Canada Ltd.  
281 Hillmount Rd, Markham, ON, Canada L6C 2S3  
Tel. 800-668-9008