

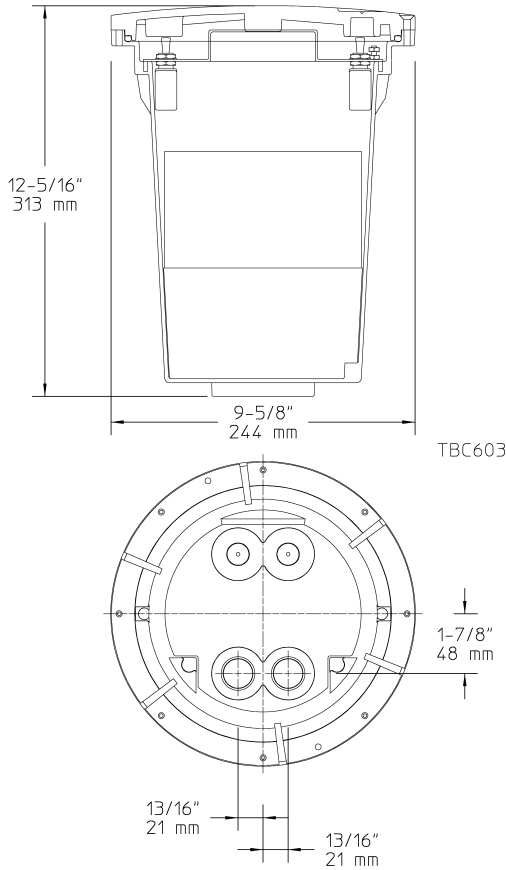
# Transformer (TBC603-15) Specification Sheet

Project Name:	Location:	MFG: Philips Hadco
Fixture Type:	Catalog No.:	Qty:

## Ordering Guide

Example: TBC603-15

Product Code	TBC603-15 Transformer
--------------	-----------------------



## Specifications

### HOUSING:

Fasteners are 300 series stainless steel. Housing and cover are compression molded fiberglass reinforced polyester composite material. Gasketing is silicone. Two (2) 3/4" NPS threaded conduit inlets on bottom. Two (2) additional inlets may be field drilled and tapped.

### ELECTRICAL ASSEMBLY:

Separate wiring compartment with two (2) 3/4" 120V inlets. The transformer is thermally protected and is shielded between the 120V input and the low voltage output, for safety. 12, 13, 14, and 15 volt output taps for design flexibility and longer cable run capability. Magnetic circuit breaker for each 300W secondary circuit. Waterproof connectors for low voltage cable outlets (one connector with TBC303-15). Potting compound (3M #8882) for line voltage wiring compartment. Line voltage amperage draw: 600VA = 5.5 amps. 50/60Hz input. Consult factory for details.

### CERTIFICATIONS:

Manufactured to ISO 9001:2008 Standards.

### WARRANTY:

Ten-year limited warranty.

### Height :

12 5/16" (313 mm)

### Width:

9 5/8" (244 mm)